

NEW

Technical datasheet

EUROSWIM

DAB swimming pool pump

Range, specifications and performance



DAB
PUMP PERFORMANCE

DWT GROUP
PUMPS • MOTORS • ELECTRONICS

EUROSWIM: THE WINNING FEATURES



MOTOR OUTPUT RANGE FROM 0.5 HP TO 3 HP

Wide coverage of all requirements on the domestic and residential market.



LARGE SIZE PREFILTER

Limits the risk of clogging, facilitates cleaning and reduces the frequency of maintenance.



ULTRA SILENT MOTOR WITH TOP PERFORMANCE RATING

The low sound emissions (64-67dBA) and high operating efficiency conceal the fact that there is a filtration pump at all, reducing energy consumption and respecting the environment.



RELIABLE AND READY TO USE

Thanks to the 2" threaded suction and discharge ports reinforced with metal rings.





APPLICATIONS

Self-priming centrifugal **high performance** electric pumps with incorporated high capacity pre-filter. **Completely watertight motor**. Extremely **silent** and **highly reliable**, developed for the circulation and filtration of water in

domestic and residential swimming pools. Suitable also for special applications requiring handling of aggressive liquids, such as in fish farming, agriculture and industry.

PUMP CONSTRUCTION CHARACTERISTICS

Pump body and pre-filter ring nut in technopolymer reinforced with glass fibre. Pre-filter cover in transparent anti-oxidising polycarbonate to guarantee constant visibility over time. Filter in nylon. Impeller in technopolymer reinforced with glass fibre, developed to guarantee total coverage and separation of motor

shaft from the pumped liquid. Diffuser in reinforced technopolymer. Mechanical seal in carbon / alumina / NBR / AISI 316. Pump body O-ring in NBR, screws and reinforcement ring nuts in AISI 316 stainless steel. Butterfly filling and drain caps do not require special tools for removal or refitting.

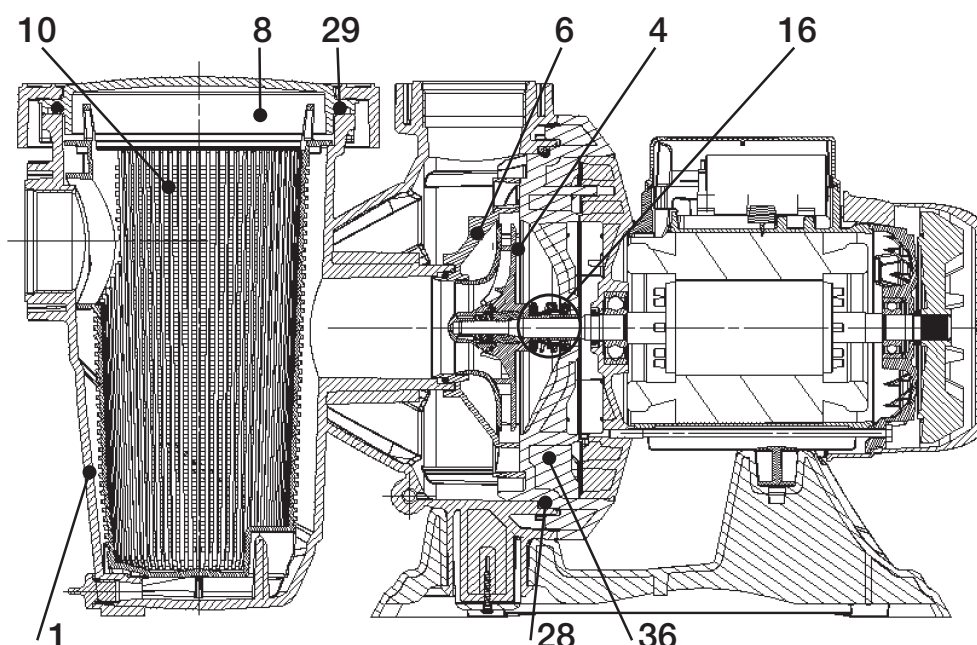
MOTOR CONSTRUCTION CHARACTERISTICS

Continuous duty asynchronous motor (S1) 2-pole with wide range of outputs from 0.5 HP to 3 HP both single and three phase (see technical specifications). Motor housing in die cast aluminium with cathodolysis paint treatment to prevent oxidation also in aggressive environments. Support base supplied as standard with rubber feet to dampen vibrations. Single phase version with built-in thermal and current overload protection and a capacitor permanently on (PSC), assembled inside the terminal board box on all versions.

Protection rating of motor and terminal board box. IP55
Insulation class: F
Ball bearings: water-proof – watertight, resistant to water and humidity.
Motor built to EN 60335-2-41 standards.
Standard voltage: Single phase 220-240V 50Hz
Three phase 230/400V 50Hz

TECHNICAL DATA

Operating range:	up to 42 to m ³ /h with head up to 22 m.
Characteristics of pumped liquid:	clean water or water slightly contaminated with suspended solid bodies, long fibres; particularly aggressive water with high percentages of chlorine/bromine and PHMB (Polyhexamethylene Biguanide) or water treated with chlorine electrolysis process.
PH range:	6.5 – 8.4
Liquid temperature range:	up to 60°C
Maximum ambient temperature:	50°C
Maximum working pressure:	2.5 bar
Nominal operating pressure:	0.8 – 1.2 Bar (ideal 1 Bar)
Installation:	fixed or portable in horizontal position
Special versions on request:	high frequencies and/or voltages
Unions on request:	kit 2"/50 - 63 (two unions + O-ring - see "Accessories")
Reference standard:	IEC - 60364



N.	PARTS (*)	MATERIALS
1	PUMP BODY	REINFORCED TECHNOPYLIMER
4	IMPELLER	REINFORCED TECHNOPYLIMER
6	DIFFUSER	REINFORCED TECHNOPYLIMER
8	FILTER COVER	POLYCARBONATE
10	FILTER	TECHNOPOLYMER
16	MECHANICAL SEAL	CARBON/ALUMINA/NBR/AISI316
28	O-RING	NBR
29	O-RING	NBR
39	SEAL DISC	REINFORCED AND STABILISED TECHNOPYLIMER

*EN CONTACT WITH THE LIQUID

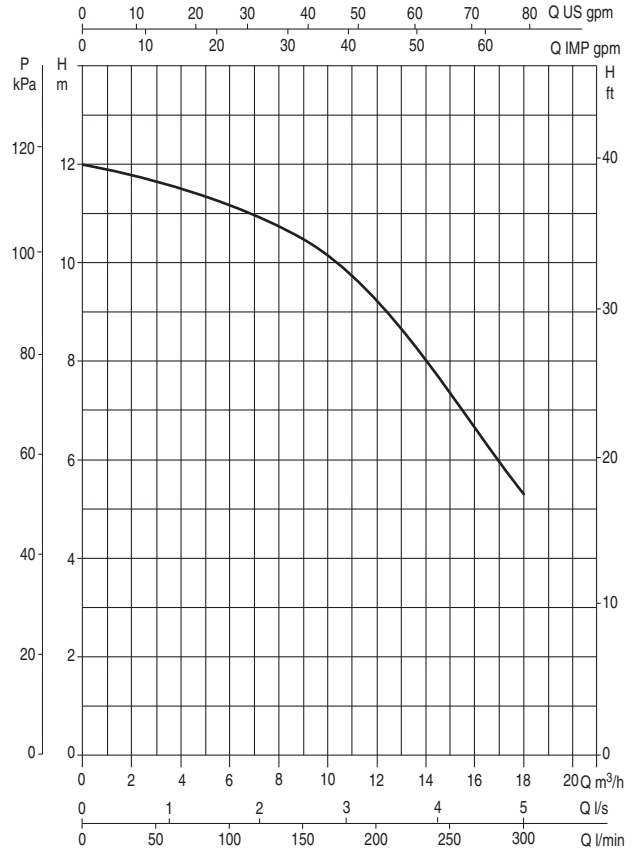
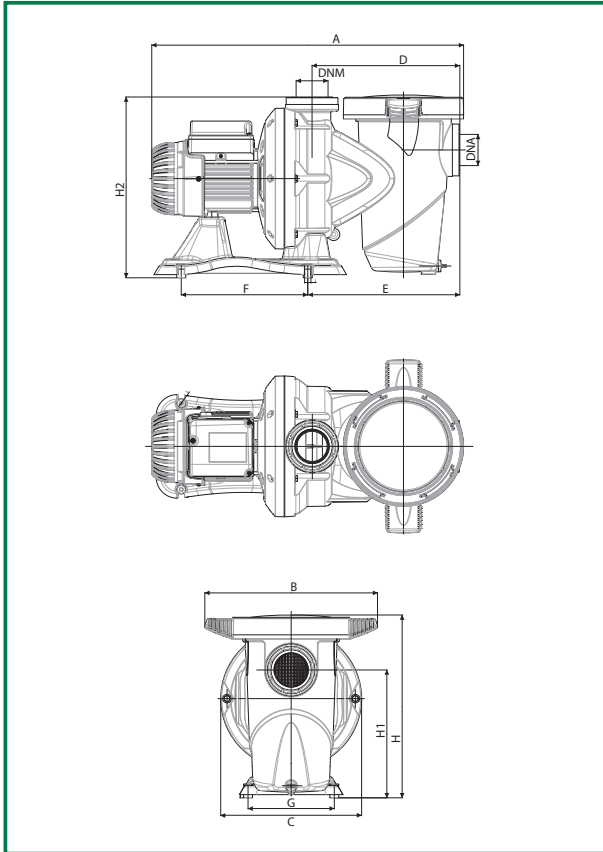
EUROSWIM 50

HYDRAULIC DATA

The performance curves are based on kinematic viscosity values = 1 mm²/s and densities equivalent to 1000 Kg/m³. Curves tolerance in compliance with ISO ISO 9906.

Liquid temperature range: from 0 °C to +60°C

Maximum ambient temperature: +50°C



DIMENSIONS AND WEIGHTS

MODEL	A	B	C	D	E	F	G	H	H1	H2	I	L	DNA	DNM	N. PARTS	PACK DIMENSIONS			VOLUME m ³	GROSS WEIGHT Kg
																L/A	L/B	H		
EUROSWIM 50 M	542	300	245	257	265	220	150	317	222	314	11	6,5	G2"	G2"	8	600	360	400	0,09	11,1

ELECTRIC DATA

MODEL	ELECTRIC DATA								MAX. NOISE LEVEL dB (A)	Q m ³ /h l/min	HYDRAULIC DATA					
	POWER SUPPLY	P1 MAX kW	P2 NOMINAL		In A	CAPACITOR		0			3	6	9	12	18	
			kW	HP		μF	Vc									0
EUROSWIM 50 M	1x220-240 V ~	900	0,33	0,5	4,2	16	450	64	H (m)	12,0	11,7	11,2	10,5	9,3	5,3	

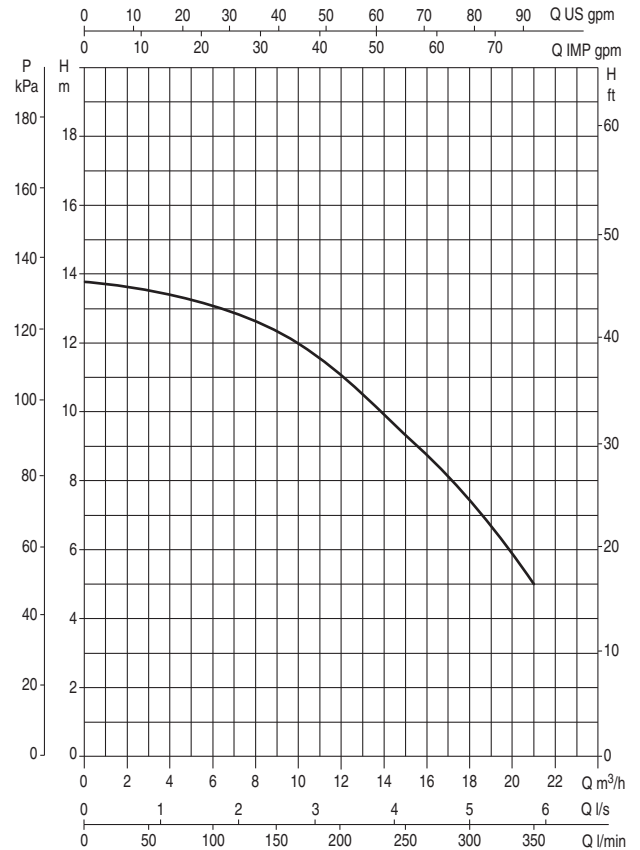
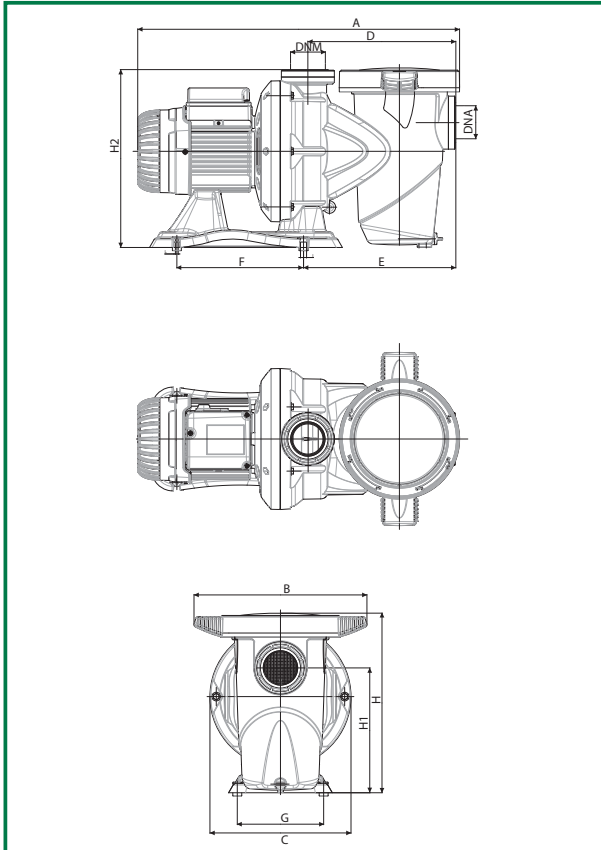
EUROSWIM 75

HYDRAULIC DATA

The performance curves are based on kinematic viscosity values = 1 mm²/s and densities equivalent to 1000 Kg/m³. Curves tolerance in compliance with ISO ISO 9906.

Liquid temperature range: from 0 °C to +60°C

Maximum ambient temperature: +50°C



DIMENSIONS AND WEIGHTS

MODEL	A	B	C	D	E	F	G	H	H1	H2	I	L	DNA	DNM	N. PARTS	PACK DIMENSIONS			VOLUME m ³	GROSS WEIGHT Kg
																L/A	L/B	H		
EUROSWIM 75 M	559	300	245	257	265	220	150	317	222	314	11	6,5	G2"	G2"	8	600	360	400	0,09	12,1
EUROSWIM 75 T	559	300	245	257	265	220	150	317	222	314	11	6,5	G2"	G2"	8	600	360	400	0,09	12,1

ELECTRIC DATA

MODEL	ELECTRIC DATA								MAX. NOISE LEVEL dB (A)	Q m ³ /h l/min	HYDRAULIC DATA						
	POWER SUPPLY 50 Hz	P1 MAX kW	P2 NOMINAL		In A	CAPACITOR		H (m)			0	3	6	9	12	18	21
			kW	HP		μF	Vc				0	50	100	150	200	300	350
EUROSWIM 75 M	1x220-240 V ~	1000	0,5	0,75	5	20	450	65	H	13,8	13,5	13,1	12,4	11,1	7,5	5	
EUROSWIM 75 T	3x230-400 V ~	950	0,5	0,75	3,5 / 2	-	-	65	H	13,8	13,5	13,1	12,4	11,1	7,5	5	

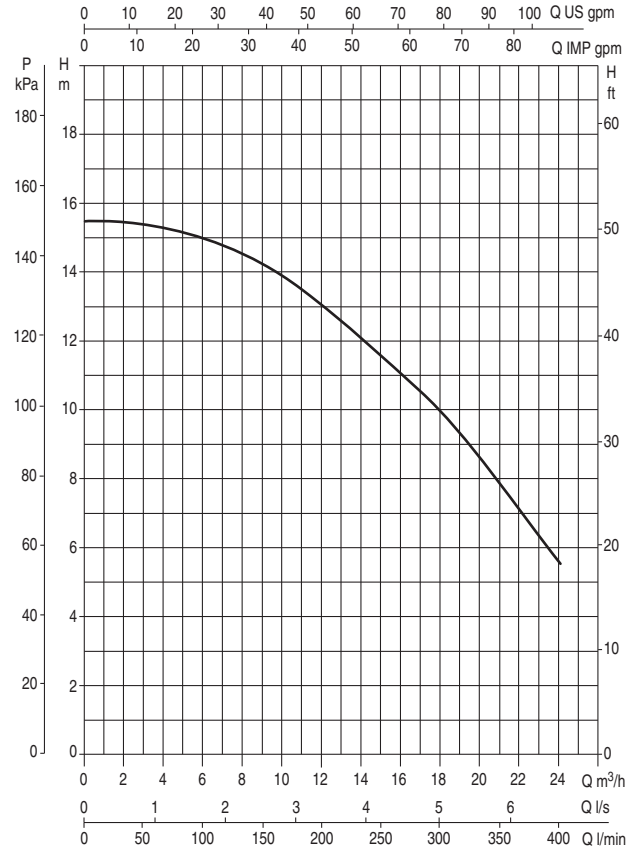
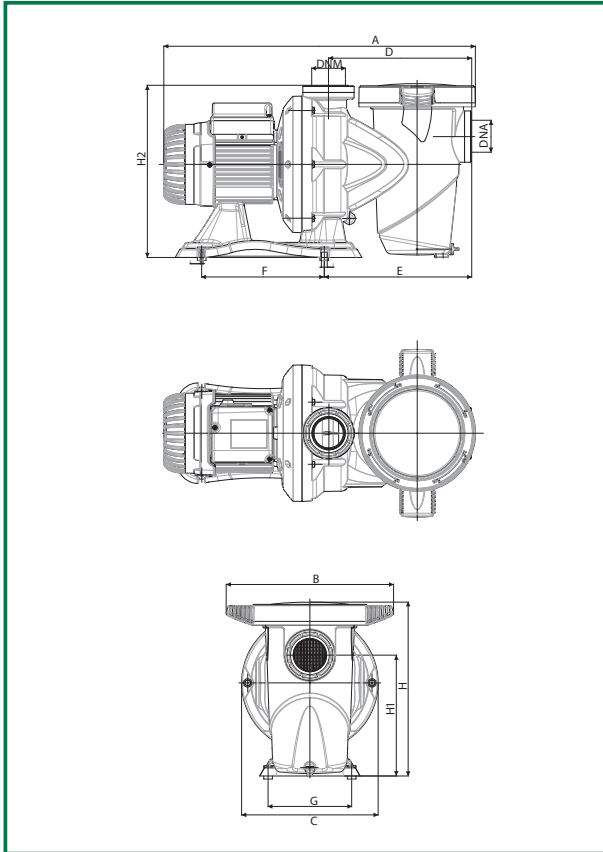
EUROSWIM 100

HYDRAULIC DATA

The performance curves are based on kinematic viscosity values = 1 mm²/s and densities equivalent to 1000 Kg/m³. Curves tolerance in compliance with ISO ISO 9906.

Liquid temperature range: from 0 °C to +60°C

Maximum ambient temperature: +50°C



DIMENSIONS AND WEIGHTS

MODEL	A	B	C	D	E	F	G	H	H1	H2	I	L	DNA	DNM	N. PARTS	PACK DIMENSIONS			VOLUME m ³	GROSS WEIGHT Kg
																L/A	L/B	H		
EUROSWIM 100 M	559	300	245	257	265	220	150	317	222	314	11	6,5	G2"	G2"	8	600	360	400	0,09	13,8
EUROSWIM 100 T	559	300	245	257	265	220	150	317	222	314	11	6,5	G2"	G2"	8	600	360	400	0,09	13,8

ELECTRIC DATA

MODEL	ELECTRIC DATA								MAX. NOISE LEVEL dB (A)	Q m ³ /h l/min	HYDRAULIC DATA							
	POWER SUPPLY	P1 MAX kW	P2 NOMINAL		In A	CAPACITOR		Q m ³ /h l/min			HYDRAULIC DATA							
			50 Hz	kW		HP	μF				Vc	0	3	6	9	12	18	21
EUROSWIM 100 M	1x220-240V ~	1300	0,75	1	6,3	25	450	66	H (m)	15,4	15,4	15	14,2	13,1	10,0	7,8	5,6	
EUROSWIM 100 T	3x230-400V ~	1200	0,75	1	4 / 2,4	-	-	66	H (m)	15,4	15,4	15	14,2	13,1	10,0	7,8	5,6	

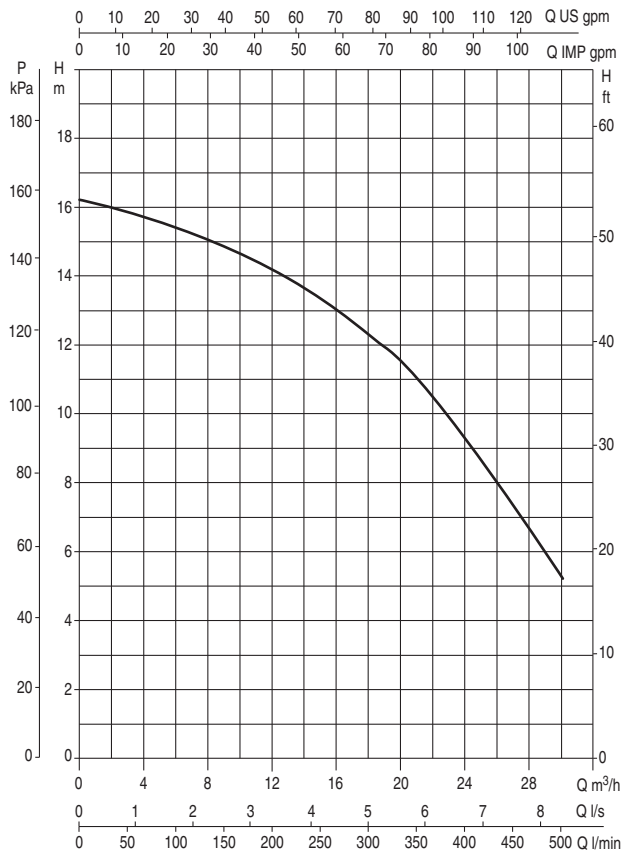
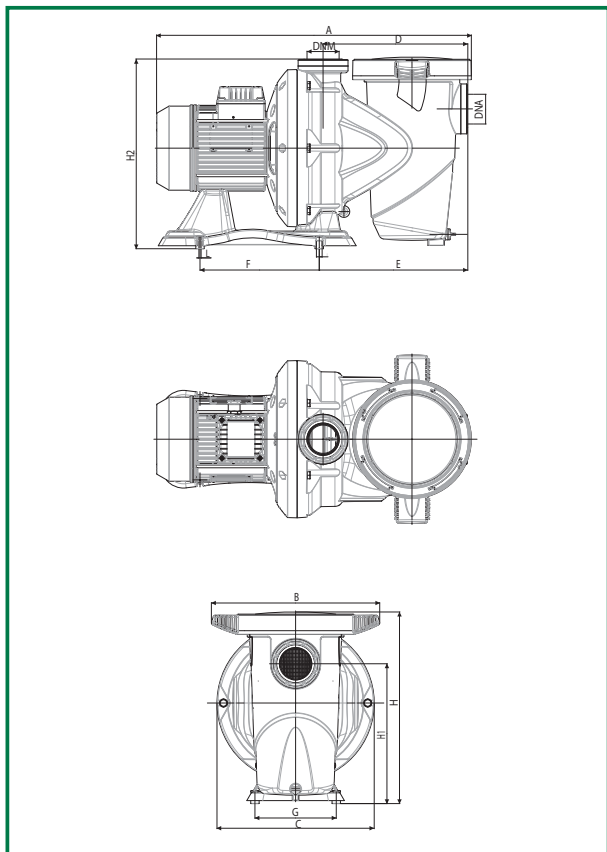
EUROSWIM 150

HYDRAULIC DATA

The performance curves are based on kinematic viscosity values = 1 mm²/s and densities equivalent to 1000 Kg/m³. Curves tolerance in compliance with ISO ISO 9906.

Liquid temperature range: from 0 °C to +60°C

Maximum ambient temperature: +50°C



DIMENSIONS AND WEIGHTS

MODEL	A	B	C	D	E	F	G	H	H1	H2	I	L	DNA	DNM	N. PARTS	PACK DIMENSIONS			VOLUME m ³	GROSS WEIGHT Kg
																L/A	L/B	H		
EUROSWIM 150 M	581	311	290	267	274	220	150	353	258	350	11	6,5	G2"	G2"	8	600	360	400	0,09	12,1
EUROSWIM 150 T	581	311	290	267	274	220	150	353	258	350	11	6,5	G2"	G2"	8	600	360	400	0,09	12,1

ELECTRIC DATA

MODEL	ELECTRIC DATA								MAX. NOISE LEVEL dB (A)	Q m ³ /h l/min	HYDRAULIC DATA								
	POWER SUPPLY	P1 MAX kW	P2 NOMINAL		In A	CAPACITOR		H (m)			0	3	6	9	12	18	21	24	30
			50 Hz	kW		HP	μF				Vc	0	50	100	150	200	300	350	400
EUROSWIM 150 M	1x220-240 V ~	1600	1,1	1,5	7	31,5	450	66	H (m)	16,2	15,9	15,4	14,9	14,2	12,4	11,1	9,3	5,3	
EUROSWIM 150 T	3x230-400 V ~	1500	1,1	1,5	5 / 2,9	-	-	66		16,2	15,6	15,2	14,6	13,9	12,4	11,1	9,3	5,3	

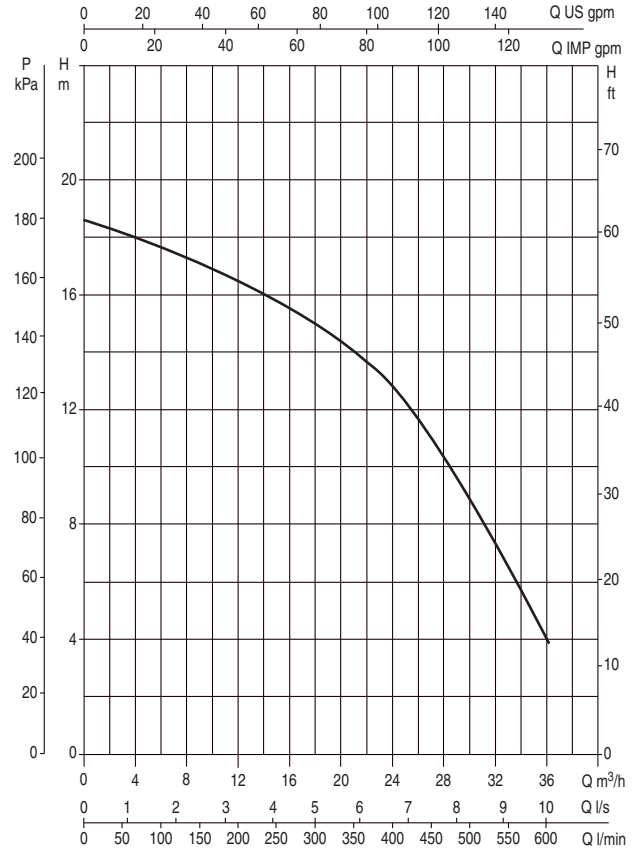
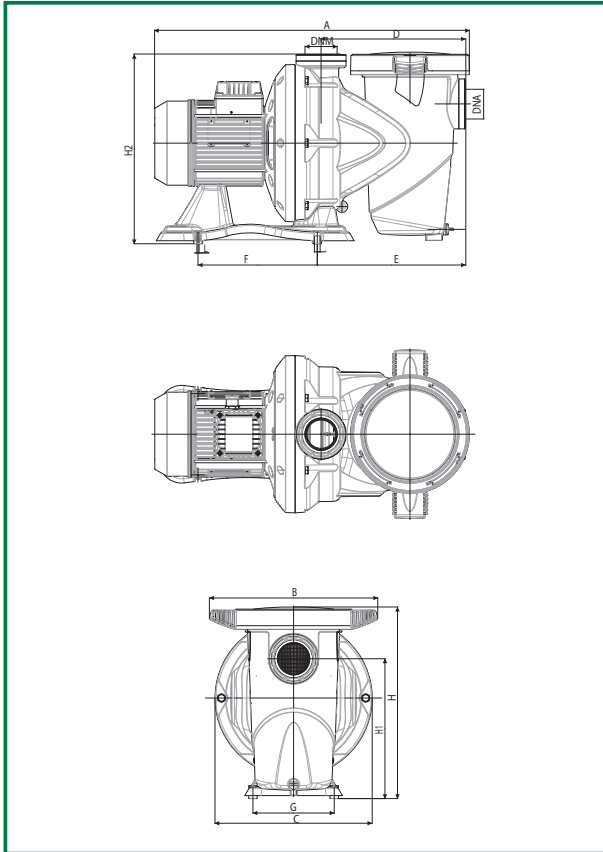
EUROSWIM 200

HYDRAULIC DATA

The performance curves are based on kinematic viscosity values = 1 mm²/s and densities equivalent to 1000 Kg/m³. Curves tolerance in compliance with ISO ISO 9906.

Liquid temperature range: from 0 °C to +60°C

Maximum ambient temperature: +50°C



DIMENSIONS AND WEIGHTS

MODELO	A	B	C	D	E	F	G	H	H1	H2	I	L	DNA	DNM	N. PARTS	PACK DIMENSIONS			VOLUME m ³	GROSS WEIGHT Kg
																L/A	L/B	H		
EUROSWIM 200 M	655	311	290	267	274	220	150	353	258	350	11	6,5	G2"	G2"	6	720	350	430	0,11	20
EUROSWIM 200 T	581	311	290	267	274	220	150	353	258	350	11	6,5	G2"	G2"	6	720	350	430	0,11	17,6

ELECTRIC DATA

MODEL	ELECTRIC DATA								MAX. NOISE LEVEL dB (A)	Q m ³ /h l/min	HYDRAULIC DATA									
	POWER SUPPLY	P1 MAX kW	P2 NOMINAL		In A	CAPACITOR		Q m ³ /h l/min			HYDRAULIC DATA									
			50 Hz	kW		HP	μF				Vc	0	3	6	9	12	18	21	24	30
EUROSWIM 200 M	1x220-240 V ~	1900	1,5	2	8,6	40	450	67	H (m)	18,6	18,2	17,7	17,1	16,5	15,0	14,1	12,8	9,0	4	
EUROSWIM 200 T	3x230-400 V ~	1900	1,5	2	6 / 3,5	-	-	67	H (m)	18,6	18,2	17,7	17,1	16,5	15,0	14,1	12,8	9,0	4	

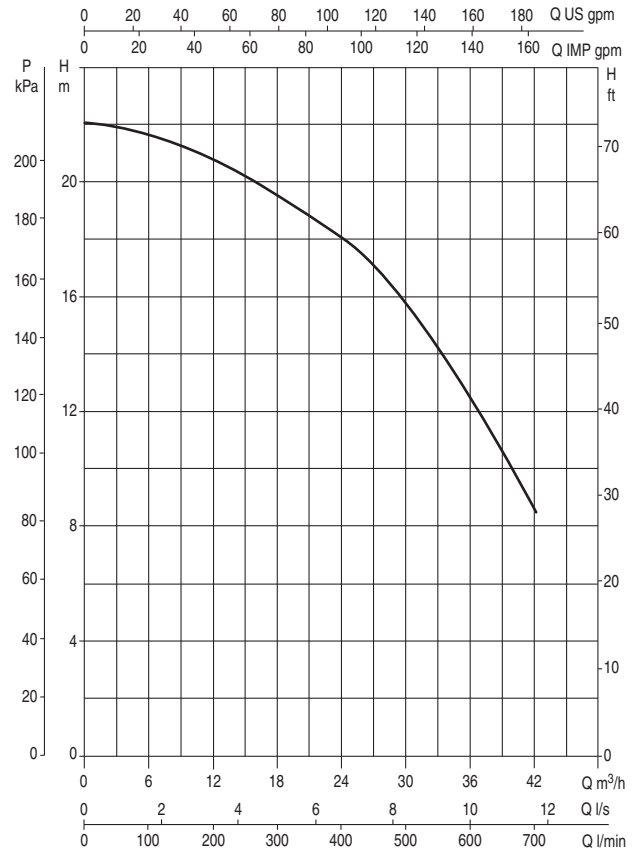
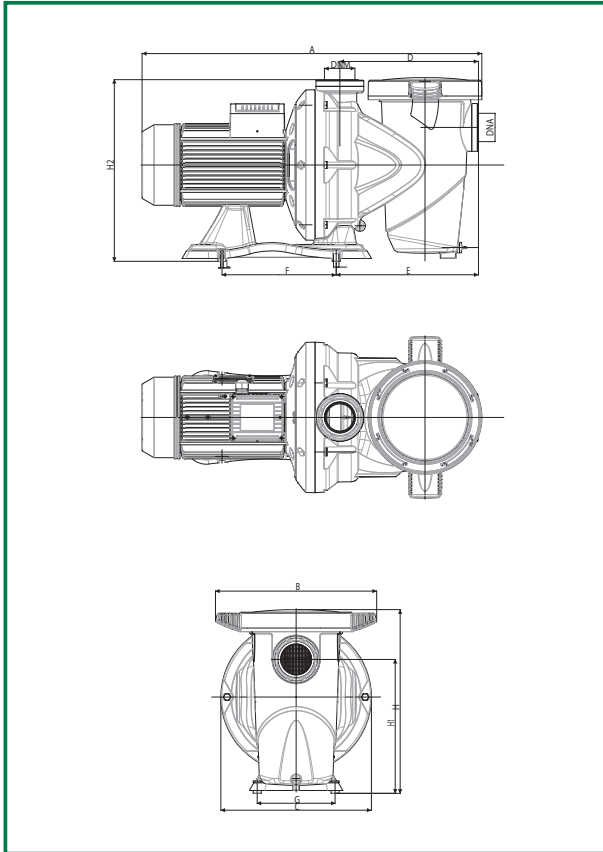
EUROSWIM 300

HYDRAULIC DATA

The performance curves are based on kinematic viscosity values = 1 mm²/s and densities equivalent to 1000 Kg/m³. Curves tolerance in compliance with ISO ISO 9906.

Liquid temperature range: from 0 °C to +60°C

Maximum ambient temperature: +50°C



DIMENSIONS AND WEIGHTS

MODEL	A	B	C	D	E	F	G	H	H1	H2	I	L	DNA	DNM	N. PARTS	PACK DIMENSIONS			VOLUME m ³	GROSS WEIGHT Kg
																L/A	L/B	H		
EUROSWIM 300 T	655	311	290	267	274	220	150	353	258	350	11	6,5	G2"	G2"	6	720	350	430	0,11	19,9

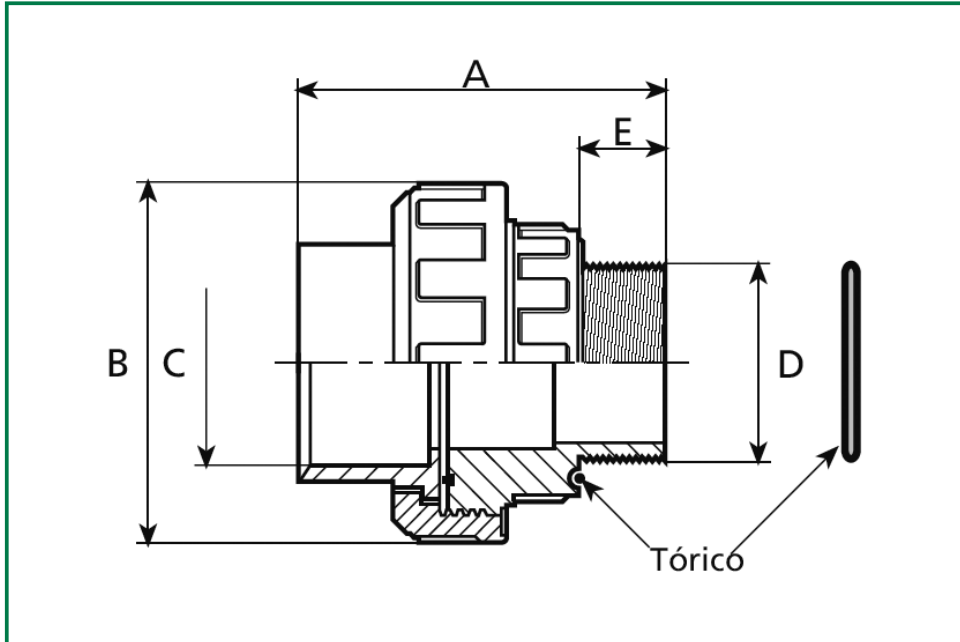
ELECTRIC DATA

MODEL	ELECTRIC DATA								MAX. NOISE LEVEL dB (A)	Q m ³ /h l/min	HYDRAULIC DATA										
	POWER SUPPLY	P1 MAX kW	P2 NOMINAL		In A	CAPACITOR		Q m ³ /h l/min			0	3	6	9	12	18	21	24	30	36	42
			50 Hz	kW		HP	μF				Vc	0	50	100	150	200	300	350	400	500	600
EUROSWIM 300 T	3x230-400 V ~	2800	2,2	3	8,7 / 5	-	-	67	H (m)	22,0	21,9	21,7	21,3	20,8	19,6	18,9	18,1	15,9	12,5	8,6	

ACCESSORIES

KIT OF UNIONS 2" GAS / DN 50-63

Supplied complete with two parts to be used on suction and discharge for connection of the pump to the system. The port with O-ring (towards pump) is fitted with a DN 50 and 63 coupling for increased installation flexibility.



DIMENSIONS AND WEIGHTS

MODEL	A	B	C	D	E	GROSS WEIGHT Kg
2" UNION KIT	99	99	50/63	2"	20	0,7

**DAB PUMPS LTD.**

Unit 4, Stortford Hall Industrial
Park Dunmow Road, Bishops Stortford, Herts
CM23 5GZ - UK
Tel. +44 1279 652 776
Fax +44 1279 657 727

**DAB PUMPS B.V.**

Albert Einsteinweg, 4
5151 DL Drunen - Nederland
Tel. +31 416 387280
Fax +31 416 387299
info.nl@dabpumps.com

**DAB PUMPS B.V.**

Brusselstraat 150
B-1702 Groot-Bijgaarden - Belgium
Tel. +32 2 4668353
Fax +32 2 4669218

**DAB PUMPEN DEUTSCHLAND GmbH**

Tackweg 11
D - 47918 Tönisvorst - Germany
Tel. +49 2151 82136-0
Fax +49 2151 82136-36

**PUMPS AMERICA, INC. DAB PUMPS DIVISION**

3226 Benchmark Drive
Ladson, SC 29456 USA
Ph. 1-843-824-6332
Toll Free 1-866-896-4DAB (4322)
Fax 1-843-797-3366

**DAB PUMPS IBERICA S.L.**

Parque Empresarial San Fernando
Edificio Italia Planta 1ª
28830 - San Fernando De Henares - Madrid
Spain
Ph. +34 91 6569545
Fax +34 91 6569676

**DAB PUMPS RUSSIA**

127247 Dmitovskoe sh., 100 bld. 3
Moscow, Russia
Тел: +7 095 485-1679

**DAB PUMPS CHINA**

Shandong Sheng Qingdao Shi
Jinji Jishu Kaifaqu Kaituo Rd
ZIP PC266510
CN - China
tel. +8613608963089
fax. +8653286812210



PUMP PERFORMANCE

Via Marco Polo, 14 - Mestrino (PD) Italy - Phone +39.049.9048811 - Fax +39.049.9048847
Assistenza tecnica clienti: Phone +39.049.9048911/12/14/51 - Fax +39.049.9048920

www.dabpumps.com