

Full HD in CCTV

3 Megapixel Network Camera



3Megapixel Full HD Network Dome Camera

SND-7080/7080F

The SND-7080/7080F is an ONVIF compliant 3 Megapixel dome camera that incorporates Samsung's WiseNet2 DSP chipset which has been specifically designed to provide users with maximum benefit from the latest megapixel camera technology. Capable of displaying multiple resolutions from CIF (320 x 240) through to 16:9 format 1080p full HD and up to full 3 megapixel (2048 x 1536). These resolutions have the ability to be transmitted simultaneously, allowing the most relevant stream to be transmitted to your viewing or recording device. The lens focusing can be controlled via the network using the manual and one-shot auto focus function. In addition, the SND-7080/7080F supports multiple H.264 / MJPEG codecs to provide a high quality recording solution and seamless monitoring with its frame rates of 30fps (2M)/20fps (3M)

- Max. 3M (2048 x 1536) resolution
- 16:9 Full HD (1080p) resolution support
- 3~8.5mm (2.8x) motorized varifocal lens
- H.264 / MJPEG multiple codecs
- Full HD WDR
- Smart Compression (ROI encoding)

3Megapixel Full HD Network Dome Camera

SND-7080/7080F



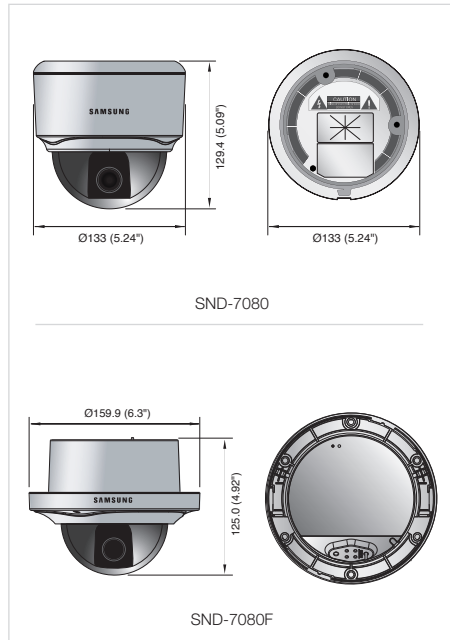
Specifications

SND-7080(F)N/P

VIDEO	
Imaging Device	1/2.8" 3M PS CMOS
Total Pixels	2,144(H) x 1,588(V)
Effective Pixels	2,096(H) x 1,561(V)
Scanning System	Progressive
Min. Illumination	Color : 1Lux (F1.2, 50IRE), 0.017Lux (Sens-up 60x), B/W : 0.08Lux (F1.2, 50IRE), 0.001Lux (Sens-up 60x)
S / N Ratio	50dB
Video Output	CVBS : 1.0 Vp-p / 75Ω composite, 704 x 480(N), 704 x 576(P), for installation
LENS	
Focal Length (Zoom Ratio)	3 ~ 8.5mm (2.8x) Motorized vari-focal
Max. Aperture Ratio	F1.2
Angular Field of View	H : 100°(Wide) ~ 35.3°(Tele), V : 74.6°(Wide) ~ 26°(Tele)
Min. Object Distance	0.5m (1.64ft)
Focus Control	Remote control via network (Manual, One-shot AF)
Lens Type	DC auto iris
Mount Type	Board-in type
PAN / TILT / ROTATE	
Pan Range	0° ~ 355°
Tilt Range	0° ~ 90°
Rotate Range	0° ~ 355°
OPERATIONAL	
Camera Title	Off / On (Displayed up to 15 characters)
Day & Night	Auto (ICR) / Color / B/W / External B/W
Backlight Compensation	Off / BLC / HLC / WDR
Wide Dynamic Range	Off / On (Full HD WDR), 52dB
Contrast Enhancement	SSDR (Samsung Super Dynamic Range) (Off / On)
Digital Noise Reduction	SSNRiII (2D+3D noise filter) (Off / On)
Motion Detection	Off / On (4 programmable zones)
Privacy Masking	Off / On (1ea 4 point polygonal + 16ea rectangular zones)
Sens-up (Frame Integration)	Off / Auto (2x ~ 60x)
Gain Control	Off / Low / Medium / High
White Balance	ATW / AWC / Manual / Indoor / Outdoor
Electronic Shutter Speed	Auto / A.FLK / Manual (1/30 ~ 30,000sec)
Flip / Mirror	Off / On
Intelligent Video Analytics	Scene Change, Virtual Line, Enter / Exit, Appear / Disappear
Alarm I/O	Input 1ea / Output 1ea (Relay)
Remote Control Interface	RS-485
RS-485 Protocol	Samsung-T/E, Pelco-P/D, Sungjin
NETWORK	
Ethernet	RJ-45 (10/100BASE-T)
Video Compression Format	H.264, MJPEG
Resolution	3M mode : 2048 x 1536, 1920 x 1080P (Full HD), 1600 x 1200, 1280 x 1024, 1280 x 960, 1280 x 720P (HD), 1024 x 768, 800 x 600, 800 x 450, 640 x 480, 640 x 360, 320 x 240, 320 x 180 2M mode : 1920 x 1080P (Full HD), 1280 x 1024, 1280 x 960, 1280 x 720P (HD), 1024 x 768, 800 x 600, 800 x 450, 640 x 480, 640 x 360, 320 x 240, 320 x 180
Max. Framerate	3M mode : * H.264 : Max 20fps at all resolutions * MJPEG : 800 x 600 ~ 320 x 180 - 20 fps, 1280 x 1024 ~ 1600 x 1200 - 15 fps, 1920x1080 ~ 2048 x 1536 - 10 fps 2M mode : * H.264 : Max 30fps at all resolutions (When WDR ON, Max. framerate is Max 15fps.) * MJPEG : 800 x 600 ~ 320 x 180 - 30 fp, 1280 x 1024 ~ 1920 x 1080 : 15 fps
Smart Codec	Yes (Area Based Method, Face Detection Method)
Video Quality Adjustment	H.264 : Compression level, Target bitrate level control, MJPEG : Quality level control
Bitrate Control Method	H.264 : CBR or VBR, MJPEG : VBR
Streaming Capability	Multiple streaming (Up to 6 profiles)
Audio I/O	Mic / Line in, Line out
Audio Compression Format	G.711 u-law
Audio Communication	2-Way
IP	IPv4, IPv6
Protocol	TCP/IP, UDP/IP, RTP(UDP), RTP(TCP), RTSP, NTP, HTTP, HTTPS, SSL, DHCP, PPPoE
Security	FTP, SMTp, ICMP, IGMP, SNMPv1/v2c/v3(MIB-2), ARP, DNS, DDNS
Streaming Method	Unicast / Multicast
Max. User Access	10 users at unicast mode
Memory Slot	SD/SDHC memory slot
ONVIF Conformance	Yes
Webpage Language	English, French, German, Spanish, Italian, Chinese, Korean, Russian, Japanese, Swedish, Danish, Portuguese, Turkish, Polish, Czech, Rumanian, Serbian, Dutch, Croatian, Hungarian, Greek
Web Viewer	Supported OS : Windows XP / VISTA / 7, MAC OS, Supported Browser : Internet Explorer 7.0 or Higher, Firefox, Google Chrome, Apple Safari
Central Management Software	NET-I viewer
ENVIRONMENTAL	
Operating Temperature / Humidity	-10°C ~ +55°C (+14°F ~ +131°F) / 20% ~ 80% RH
ELECTRICAL	
Input Voltage / Current	12V DC, 24V AC, PoE (IEEE802.3af)
Power Consumption	Max. 6W (DC 12V), Max. 7W (AC 24V, PoE (DC 48V))
MECHANICAL	
Color / Material	Ivory / Plastic
Dimensions (WxH)	SND-7080 : Ø133.0 x 129.4mm (Ø5.24" x 5.09"), SND-7080F : Ø159.9 x 125.0mm (Ø6.3" x 4.92") (Flush mounting type)
Weight	SND-7080 : 700g (1.54 lb), SND-7080F : 800g (1.76 lb)

Dimensions

Unit : mm (inch)



The Eco mark represents Samsung Technwin's will to create environment-friendly products, and indicates that the product satisfies the EU RoHS Directive.

Design and specifications are subject to change without notice.

■ DISTRIBUTED BY



SAMSUNG TECHWIN CO., LTD.

701, Sampyeong-dong, Bundang-gu, Seongnam-si, Gyeonggi-do Korea 463-400
Tel : +82-70-7147-8741-8749, 8752-8760 Fax : +82-31-8018-3745
www.samsungsecurity.com www.samsungcctv.com

SAMSUNG TECHWIN AMERICA Inc.
100 Challenger Rd. Suite 700 Ridgefield Park, NJ 07660
Toll Free : +1-877-213-1222 Direct : +1-201-325-6920
Fax : +1-201-373-0124
www.samsungcctvusa.com

SAMSUNG TECHWIN EUROPE LTD.
2st floor No5, The Height, Brookland, Weybridge, Surrey, U.K.
KT13 0NY
Tel : +44-1932-82-6700

SHANGHAI SAMSUNG TECHWIN CO., LTD.
32F, Bk18, International Business Center,
No. 391 Guiping Rd., Shanghai, China, 200233
Tel : +86-21-5427-1155 Fax : +86-21-5423-5122