

# *iPOLiS*



The Eco mark represents Samsung Techwin's will to create environment-friendly products, and indicates that the product satisfies the EU RoHS Directive.

Design and specifications are subject to change without notice.



#### **SAMSUNG TECHWIN CO., LTD.**

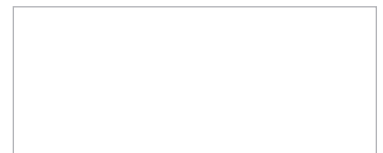
701, Sampyeong-dong, Bundang-gu, Seongnam-si, Gyeonggi-do Korea 463-400  
Tel: +82-70-7147-8741-8749, 8752-8760 Fax: +82-31-8018-3745  
[www.samsungipolis.com](http://www.samsungipolis.com) [www.samsungsecurity.com](http://www.samsungsecurity.com)

**SAMSUNG TECHWIN AMERICA Inc.**  
100 Challenger Rd. Suite 700 Ridgefield Park, NJ 07660  
Toll Free: +1-877-213-1222 Direct: +1-201-325-6920  
Fax: +1-201-373-0124  
[www.samsungcctvusa.com](http://www.samsungcctvusa.com)

**SAMSUNG TECHWIN EUROPE LTD.**  
Samsung House, 1000 Hillwood Drive, Hillwood Business Park  
Chertsey, Surrey, UNITED KINGDOM KT16 0PS  
Tel: +44-1932-45-5300 Fax: +44-1932-45-5325

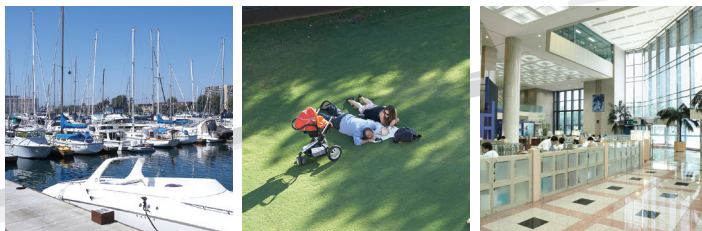
**TIANJIN SAMSUNG TECHWIN OPTO-ELECTRONICS CO., LTD.**  
No.11 Wei 6 Street, Micro-Electronic Industrial Park  
Jingang Road, Tianjin, P.R. CHINA 300385  
Tel: +86-22-23887788 Fax: +86-22-23887788

■ DISTRIBUTED BY



*iPOLiS* HD

WiseNet



# Time for HD

Samsung 1.3M HD Network Camera

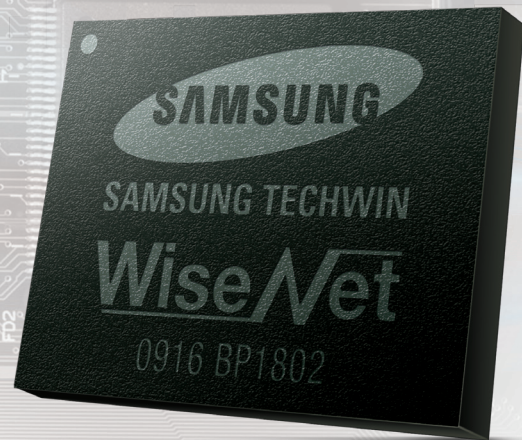


SAMSUNG



## WiseNet MEGA DSP

- Max. 1.3 Megapixel resolution support
- 16 : 9 HD (720p) resolution
- SDDR (Samsung Super Dynamic Range)
- SSNRIII (Samsung Super 3D+2D Noise Reduction)
- HLC (Highlight Compensation)
- Intelligent Video Analytics



## HD 1.3 Mega Pixel, Various Resolution Support

The Samsung HD Network Camera Series is capable of generating images at multiple resolutions, from CIF to 16 : 9 HD and 1.3 megapixels. At the 16 : 9 HD or 1.3 megapixels resolution, images look much bigger, wider, and clearer than at lower resolutions. Besides, a variety of resolutions are available—CIF 320 x 240, VGA 640 x 480, SVGA 800 x 600, and more—to help create the optimum network environment.



CIF 320 x 240



VGA 640 x 480



SVGA 800 x 600



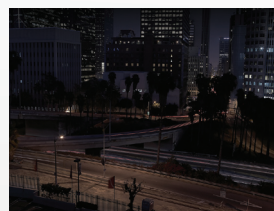
16 : 9 HD 1280 x 720



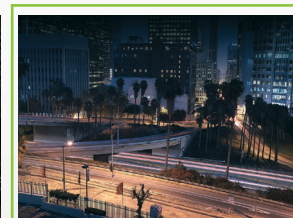
1.3M 1280 x 1024

## Low Light Image Sensor

Samsung HD Megapixel Network Cameras are equipped with the latest CMOS image sensor that achieves clearer images than a normal megapixel CCD especially under low light conditions.



Conventional 1.3M megapixels CCD Network Camera

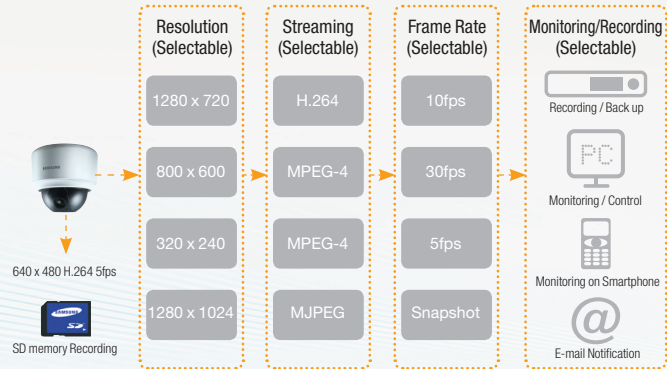


1.3M megapixels CMOS Samsung HD Network Camera



## Multiple Codec & Multiple Streaming

Multiple codec (H.264, MPEG-4 and MJPEG) can be transmitted simultaneously, enabling multiple purposes such as real time monitoring, high quality or high efficiency recording, mobile monitoring, E-mail notification, and SD memory recording.



## Intelligent Video Analytics

The intelligent video analytics feature included in WiseNet DSP enables more accurate video monitoring.

### 1) Disappearing Detection

It activates an alarm immediately when an object disappears from a defined monitoring area.



### 2) Appearing Detection

It activates an alarm if a new object merges and stays in a defined monitoring area longer than a set duration.



### 3) Crossing Line Detection

It activates an alarm when an intruder comes into a virtual boundary line on the monitor.



### 4) Enter / Exit Detection

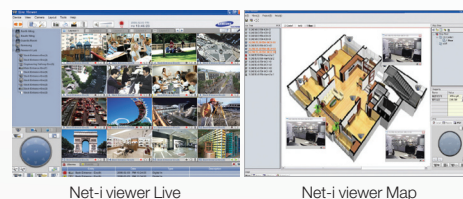
It activates an alarm when an object enters or leaves a defined monitoring area.



## Control via Centralized Management Software (CMS)

NET-I viewer is Samsung Techwin's centralized network management software that are capable of managing a maximum of 32 channels. This software provides PTZ control commands, various event types and map monitoring options for a convenient and effective monitoring system.

\* NET-i viewer : 16 channels per a monitor. Able to monitor 32 channels via dual monitor





iPOLiS

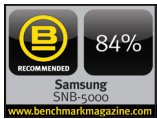
SAMSUNG

# SNB-5000

1.3Megapixel HD Network Camera



ONVIF

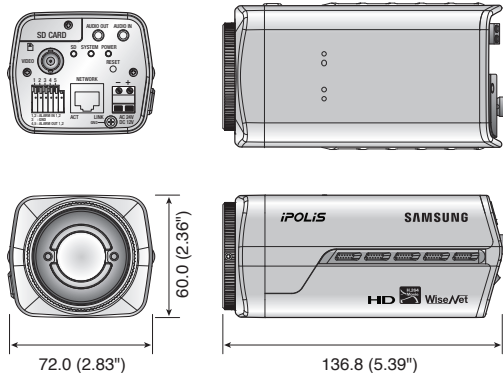


## Key Features

- Max. 1.3M (1280 x 1024) resolution
- 16 : 9 HD (720p) resolution support
- H.264, MPEG-4, MJPEG multiple codec
- PoE, SD memory, bi-directional audio support

## Dimensions

Unit : mm (inch)



## Technical Specifications

	SNB-5000N/P
<b>VIDEO</b>	
Imaging Device	1/3" 1.3M PS CMOS
Total Pixels	1,384(H) x 1,076(V)
Effective Pixels	1,329(H) x 1,049(V)
Scanning System	Progressive
Min. Illumination	Color : 0.3Lux (F1.2, 50IRE), 0.005Lux (Sens-up 60x) B/W : 0.01Lux (F1.2, 50IRE), 0.0002Lux (Sens-up 60x)
S / N Ratio	50dB
Video Output	CVBS : 1.0 Vp-p / 75Ω composite, 704 x 480(N), 704 x 576(P), for installation
<b>LENS</b>	
Lens Type	Manual / DC auto iris
Mount Type	C / CS
<b>OPERATIONAL</b>	
Camera Title	Off / On (Displayed up to 15 characters)
Day & Night	Auto (ICR) / Color / B/W / External B/W
Backlight Compensation	Off / BLC / HLC
Contrast Enhancement	SSDR (Samsung Super Dynamic Range) (Off / On)
Digital Noise Reduction	SSNRIII (2D+3D noise filter) (Off / On)
Motion Detection	Off / On (4 programmable zones)
Privacy Masking	Off / On (12 programmable zones)
Sens-up (Frame Integration)	Off / Auto (2x ~ 60x)
Gain Control	Off / Low / Medium / High / Manual
White Balance	ATW / AWC / Manual / Indoor / Outdoor
Electronic Shutter Speed	Auto / A.FLK / Manual (1/30 ~ 30,000sec)
Flip / Mirror	Off / On
Intelligent Video Analytics	Scene change, Virtual line, Enter / Exit, Appear / Disappear
Alarm I/O	Input 1ea / Output 1ea (Relay)
<b>NETWORK</b>	
Ethernet	RJ-45 (10/100BASE-T)
Video Compression Format	H.264, MPEG-4, MJPEG
Resolution	1280 x 1024, 1280 x 720P (HD), 800 x 600, 640 x 480, 320 x 240
Max. Framerate	H.264, MJPEG : 30fps MPEG-4 : 25fps (1280 x 1024), 30fps (720P HD)
Video Quality Adjustment	H.264, MPEG-4 : Compression level, Target bitrate level control MJPEG : Quality level control
Bitrate Control Method	H.264, MPEG-4 : CBR, CVBR, MJPEG : CVBR
Streaming Capability	Multiple streaming (Up to 10 profiles)
Audio I/O	Mic / Line in, Line out
Audio Compression Format	G.711 u-law
Audio Communication	Bi-directional audio
IP	IPv4, IPv6
Protocol	TCP/IP, UDP/IP, RTP(UDP), RTP(TCP), RTSP, NTP, HTTP, HTTPS, SSL, DHCP, PPPoE FTP, SMTP, ICMP, IGMP, SNMPv1/v2c/v3(MIB-2), ARP, DNS, DDNS, ONVIF
Security	HTTPS(SSL) login authentication, Digest login authentication IP address filtering, User access log, 802.1x authentication
Streaming Method	Unicast / Multicast
Max. User Access	10 users at unicast mode
Memory Slot	SD/SDHC memory slot
ONVIF Conformance	Yes
Webpage Language	English, French, German, Spanish, Italian, Chinese, Korean, Russian, Japanese, Swedish, Danish, Portuguese, Turkish, Polish, Czech, Rumanian, Serbian, Dutch, Croatian, Hungarian, Greek
Web Viewer	Supported OS : Windows XP / VISTA / 7, MAC OS Supported Browser : Internet Explorer 7.0 or Higher, Firefox, Google Chrome, Apple Safari
Central Management Software	NET-i viewer
<b>ENVIRONMENTAL</b>	
Operating Temperature / Humidity	-10°C ~ +50°C (+14°F ~ +122°F) / 20% ~ 80% RH
<b>ELECTRICAL</b>	
Input Voltage / Current	12V DC, 24V AC, PoE (IEEE802.3af)
Power Consumption	Max. 6W
<b>MECHANICAL</b>	
Color / Material	Dark gray / Metal
Dimensions (WxHxD)	72.0 x 60.0 x 136.8mm (2.83" x 2.36" x 5.39")
Weight	440g (0.97 lb)

# SNV-5080



1.3Megapixel HD Vandal-Resistant Network Dome Camera

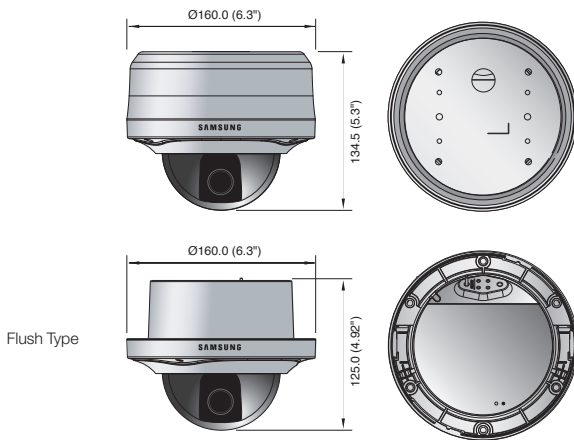


## Key Features

- Max. 1.3M (1280 x 1024) resolution
- 16 : 9 HD (720p) resolution support
- 2.8 ~ 10mm (3.6x) varifocal lens
- H.264, MPEG-4, MJPEG multiple codec
- PoE, SD memory, IP66, bi-directional audio support

## Dimensions

Unit : mm (inch)



## Accessories (Optional)



SCX-300WM SCX-300CM SCX-300HM1 SCX-300LM SCX-300PM SCX-300KM

## Technical Specifications

	SNV-5080N/P
<b>VIDEO</b>	
Imaging Device	1/3" 1.3M PS CMOS
Total Pixels	1,384(H) x 1,076(V)
Effective Pixels	1,329(H) x 1,049(V)
Scanning System	Progressive
Min. Illumination	Color : 0.3Lux (F1.2, 50IRE), 0.005Lux (Sens-up 60x) B/W : 0.01Lux (F1.2, 50IRE), 0.0002Lux (Sens-up 60x)
S / N Ratio	50dB
Video Output	CVBS : 1.0 Vp-p / 75Ω composite, 704 x 480(N), 704 x 576(P), for installation
<b>LENS</b>	
Focal Length (Zoom Ratio)	2.8 ~ 10mm (3.6x) varifocal
Max. Aperture Ratio	F1.2
Angular Field of View	H : 94.6°(Wide) ~ 28.8°(Tele), V : 68.4°(Wide) ~ 21.6°(Tele)
Lens Type	DC auto iris
Mount Type	Board-in type
<b>PAN / TILT / ROTATE</b>	
Pan Range	0° ~ 355°
Tilt Range	0° ~ 90°
Rotate Range	0° ~ 355°
<b>OPERATIONAL</b>	
Camera Title	Off / On (Displayed up to 15 characters)
Day & Night	Auto (ICR) / Color / B/W / External B/W
Backlight Compensation	Off / BLC / HLC
Contrast Enhancement	SSDR (Samsung Super Dynamic Range) (Off / On)
Digital Noise Reduction	SSNRIII (2D+3D noise filter) (Off / On)
Motion Detection	Off / On (4 programmable zones)
Privacy Masking	Off / On (12 programmable zones)
Sens-up (Frame Integration)	Off / Auto (2x ~ 60x)
Gain Control	Off / Low / Medium / High / Manual
White Balance	ATW / AWC / Manual / Indoor / Outdoor
Electronic Shutter Speed	Auto / A.FLK / Manual (1/30 ~ 30,000sec)
Flip / Mirror	Off / On
Intelligent Video Analytics	Scene change, Virtual line, Enter / Exit, Appear / Disappear
Alarm I/O	Input 1ea / Output 1ea (Relay)
<b>NETWORK</b>	
Ethernet	RJ-45 (10/100BASE-T)
Video Compression Format	H.264, MPEG-4, MJPEG
Resolution	1280 x 1024, 1280 x 720P (HD), 1024 x 768, 800 x 600, 640 x 480, 320 x 240
Max. Framerate	H.264, MJPEG : 30fps MPEG-4 : 25fps (1280 x 1024), 30fps (720P HD)
Video Quality Adjustment	H.264, MPEG-4 : Compression level, Target bitrate level control MJPEG : Quality level control
Bitrate Control Method	H.264, MPEG-4 : CBR, CVBR, MJPEG : CVBR
Streaming Capability	Multiple streaming (Up to 10 profiles)
Audio I/O	Mic / Line in, Line out
Audio Compression Format	G.711 u-law
Audio Communication	Bi-directional audio
IP	IPv4, IPv6
Protocol	TCP/IP, UDP/IP, RTP(UDP), RTP(TCP), RTSP, NTP, HTTP, HTTPS, SSL, DHCP, PPPoE FTP, SMTP, ICMP, IGMP, SNMPv1/v2c/v3(MIB-2), ARP, DNS, DDNS, ONVIF HTTPS(SSL) login authentication, Digest login authentication
Security	IP address filtering, User access log, 802.1x authentication
Streaming Method	Unicast / Multicast
Max. User Access	10 users at unicast mode
Memory Slot	SD/SDHC memory slot
ONVIF Conformance	Yes
Webpage Language	English, French, German, Spanish, Italian, Chinese, Korean, Russian, Japanese, Swedish, Danish, Portuguese, Turkish, Polish, Czech, Rumanian, Serbian, Dutch, Croatian, Hungarian, Greek
Web Viewer	Supported OS : Windows XP / VISTA / 7, MAC OS Supported Browser : Internet Explorer 7.0 or Higher, Firefox, Google Chrome, Apple Safari
Central Management Software	NET-i viewer
<b>ENVIRONMENTAL</b>	
Operating Temperature / Humidity	-40°C ~ +50°C (-40°F ~ +122°F) / Less than 90% RH
Ingress Protection	IP66 Grade (Waterproof)
<b>ELECTRICAL</b>	
Input Voltage / Current	12V DC, 24V AC, PoE (IEEE802.3af)
Power Consumption	Max. 8W (Heater off), Max. 11W (Heater on)
<b>MECHANICAL</b>	
Color / Material	Light gray / Aluminum
Dimensions (WxH)	Ø160.0 x 134.5mm (Ø6.3" x 5.3")
Weight	1.28Kg (2.82 lb)

iPOLiS

SAMSUNG

# SND-5080/5080F

1.3Megapixel HD Network Dome Camera



ONVIF



SND-5080

SND-5080F

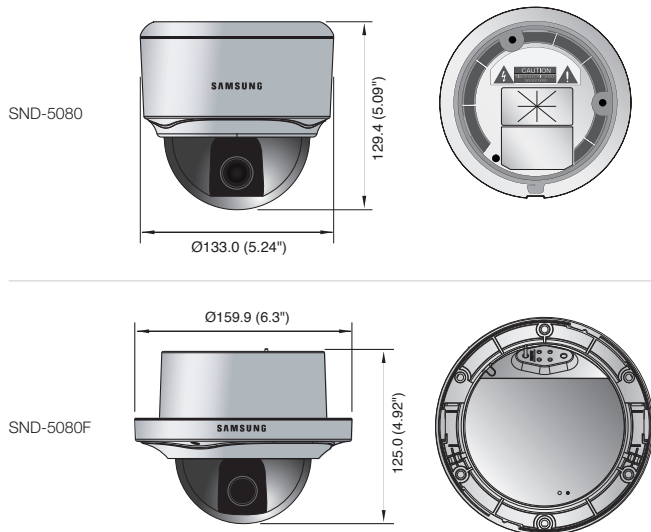


## Key Features

- Max. 1.3M (1280 x 1024) resolution
- 16 : 9 HD (720p) resolution support
- 2.8 ~ 10mm (3.6x) varifocal lens
- H.264, MPEG-4, MJPEG multiple codec
- PoE, SD memory, bi-directional audio support

## Dimensions

Unit : mm (inch)



## Technical Specifications

	SND-5080(F)N/P
<b>VIDEO</b>	
Imaging Device	1/3" 1.3M PS CMOS
Total Pixels	1,384(H) x 1,076(V)
Effective Pixels	1,329(H) x 1,049(V)
Scanning System	Progressive
Min. Illumination	Color : 0.3Lux (F1.2, 50IRE), 0.005Lux (Sens-up 60x) B/W : 0.01Lux (F1.2, 50IRE), 0.0002Lux (Sens-up 60x)
S / N Ratio	50dB
Video Output	CVBS : 1.0 Vp-p / 75Ω composite, 704 x 480(N), 704 x 576(P), for installation
<b>LENS</b>	
Focal Length (Zoom Ratio)	2.8 ~ 10mm (3.6x) varifocal
Max. Aperture Ratio	F1.2
Angular Field of View	H : 94.6°(Wide) ~ 28.8°(Tele), V : 68.4°(Wide) ~ 21.6°(Tele)
Lens Type	DC auto iris
Mount Type	Board-in type
<b>PAN / TILT / ROTATE</b>	
Pan Range	0° ~ 355°
Tilt Range	0° ~ 90°
Rotate Range	0° ~ 355°
<b>OPERATIONAL</b>	
Camera Title	Off / On (Displayed up to 15 characters)
Day & Night	Auto (ICR) / Color / B/W / External B/W
Backlight Compensation	Off / BLC / HLC
Contrast Enhancement	SSDR (Samsung Super Dynamic Range) (Off / On)
Digital Noise Reduction	SSNRIII (2D+3D noise filter) (Off / On)
Motion Detection	Off / On (4 programmable zones)
Privacy Masking	Off / On (12 programmable zones)
Sens-up (Frame Integration)	Off / Auto (2x ~ 60x)
Gain Control	Off / Low / Medium / High / Manual
White Balance	ATW / AWC / Manual / Indoor / Outdoor
Electronic Shutter Speed	Auto / A.FLK / Manual (1/30 ~ 30,000sec)
Flip / Mirror	Off / On
Intelligent Video Analytics	Scene change, Virtual line, Enter / Exit, Appear / Disappear
Alarm I/O	Input 1ea / Output 1ea (Relay)
<b>NETWORK</b>	
Ethernet	RJ-45 (10/100BASE-T)
Video Compression Format	H.264, MPEG-4, MJPEG
Resolution	1280 x 1024, 1280 x 720P (HD), 1024 x 768, 800 x 600, 640 x 480, 320 x 240
Max. Framerate	H.264, MJPEG : 30fps MPEG-4 : 25fps (1280 x 1024), 30fps (720P HD)
Video Quality Adjustment	H.264, MPEG-4 : Compression level, Target bitrate level control MJPEG : Quality level control
Bitrate Control Method	H.264, MPEG-4 : CBR, CVBR, MJPEG : CVBR
Streaming Capability	Multiple streaming (Up to 10 profiles)
Audio I/O	Mic / Line in, Line out
Audio Compression Format	G.711 u-law
Audio Communication	Bi-directional audio
IP	IPv4, IPv6
Protocol	TCP/IP, UDP/IP, RTP(UDP), RTP(TCP), RTSP, NTP, HTTP, HTTPS, SSL, DHCP, PPPoE FTP, SMTP, ICMP, IGMP, SNMPv1/v2c/v3(MIB-2), ARP, DNS, DDNS, ONVIF HTTPS(SSL) login authentication, Digest login authentication
Security	IP address filtering, User access logg, 802.1x authentication
Streaming Method	Unicast / Multicast
Max. User Access	10 users at unicast mode
Memory Slot	SD/SDHC memory slot
ONVIF Conformance	Yes
Webpage Language	English, French, German, Spanish, Italian, Chinese, Korean, Russian, Japanese, Swedish, Danish, Portuguese, Turkish, Polish, Czech, Rumanian, Serbian, Dutch, Croatian, Hungarian, Greek
Web Viewer	Supported OS : Windows XP / VISTA / 7, MAC OS Supported Browser : Internet Explorer 7.0 or Higher, Firefox, Google Chrome, Apple Safari
Central Management Software	NET-i viewer
<b>ENVIRONMENTAL</b>	
Operating Temperature / Humidity	-10°C ~ +50°C (+14°F ~ +122°F) / 20% ~ 80% RH
<b>ELECTRICAL</b>	
Input Voltage / Current	12V DC, 24V AC, PoE (IEEE802.3af)
Power Consumption	Max. 7W
<b>MECHANICAL</b>	
Color / Material	White / Plastic
Dimensions (WxH)	SND-5080 : Ø133.0 x 129.4mm (Ø5.24" x 5.09") SND-5080F : Ø159.9 x 125.0mm (Ø6.3" x 4.92") (Flush mounting type)
Weight	SND-5080 : 523g (1.15 lb), SND-5080F : 650g (1.43 lb)



# SNV-5010



1.3Megapixel HD Vandal-Resistant Network Flat Camera

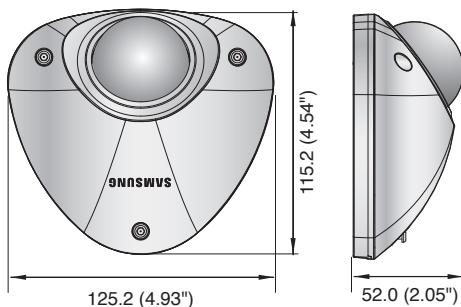


## Key Features

- Max. 1.3M (1280 x 1024) resolution
- 16 : 9 HD (720p) resolution support
- Built-in 3mm fixed lens
- H.264, MPEG-4, MJPEG multiple codec
- PoE, IP66

## Dimensions

Unit : mm (inch)



## Technical Specifications

	SNV-5010N/P
<b>VIDEO</b>	
Imaging Device	1/3" 1.3M PS CMOS
Total Pixels	1,384(H) x 1,076(V)
Effective Pixels	1,329(H) x 1,049(V)
Scanning System	Progressive
Min. Illumination	Color : 1Lux (F1.8, 50IRE), 0.016Lux (Sens-up 60x)
S / N Ratio	50dB
Video Output	DIP connector type, 704 x 480(N), 704 x 576(P), for installation
<b>LENS</b>	
Focal Length (Zoom Ratio)	3mm
Max. Aperture Ratio	F1.8
Angular Field of View	H : 91.2°, V : 72.3°
Lens Type	Fixed iris
Mount Type	Board-in type
<b>PAN / TILT / ROTATE</b>	
Pan Range	-10° ~ 10°
Tilt Range	0° ~ 90°
<b>OPERATIONAL</b>	
Camera Title	Off / On (Displayed up to 15 characters)
Backlight Compensation	Off / BLC / HLC
Contrast Enhancement	SSDR (Samsung Super Dynamic Range) (Off / On)
Digital Noise Reduction	SSNRIII (2D+3D noise filter) (Off / On)
Motion Detection	Off / On (4 programmable zones)
Privacy Masking	Off / On (12 programmable zones)
Sens-up (Frame Integration)	Off / Auto (2x ~ 60x)
Gain Control	Off / Low / Medium / High / Manual
White Balance	ATW / AWC / Manual / Indoor / Outdoor
Electronic Shutter Speed	Auto / A.FLK / Manual (1/30 ~ 30,000sec)
Flip / Mirror	Off / On
Intelligent Video Analytics	Scene change, Virtual line, Enter / Exit, Appear / Disappear
<b>NETWORK</b>	
Ethernet	RJ-45 (10/100BASE-T)
Video Compression Format	H.264, MPEG-4, MJPEG
Resolution	1280 x 1024, 1280 x 720p (HD), 1024 x 768, 800 x 600, 640 x 480, 320 x 240
Max. Framerate	H.264, MJPEG : 30fps MPEG-4 : 25fps (1280 x 1024), 30fps (720P HD)
Video Quality Adjustment	H.264, MPEG-4 : Compression level, Target bitrate level control MJPEG : Quality level control
Bitrate Control Method	H.264, MPEG-4 : CBR, CVBR, MJPEG : CVBR
Streaming Capability	Multiple streaming (Up to 10 profiles)
IP	IPv4, IPv6
Protocol	TCP/IP, UDP/IP, RTP(UDP), RTP(TCP), RTSP, NTP, HTTP, HTTPS, SSL, DHCP, PPPoE FTP, SMTP, ICMP, IGMP, SNMPv1/v2c/v3(MIB-2), ARP, DNS, DDNS, ONVIF
Security	HTTPS(SSL) login authentication, Digest login authentication IP address filtering, User access log, 802.1x authentication
Streaming Method	Unicast / Multicast
Max. User Access	10 users at unicast mode
ONVIF Conformance	Yes
Webpage Language	English, French, German, Spanish, Italian, Chinese, Korean, Russian, Japanese, Swedish, Danish, Portuguese, Turkish, Polish, Czech, Rumanian, Serbian, Dutch, Croatian, Hungarian, Greek
Web Viewer	Supported OS : Windows XP / VISTA / 7, MAC OS Supported Browser : Internet Explorer 7.0 or Higher, Firefox, Google Chrome, Apple Safari
Central Management Software	NET-i viewer
<b>ENVIRONMENTAL</b>	
Operating Temperature / Humidity	-10°C ~ +50°C (-14°F ~ +122°F) / Less than 90% RH
Ingress Protection	IP66 Grade (Waterproof)
<b>ELECTRICAL</b>	
Input Voltage / Current	12V DC, PoE (IEEE802.3af)
Power Consumption	Max. 6W
<b>MECHANICAL</b>	
Color / Material	Ivory / Aluminum
Dimensions (WxHxD)	125.2 x 52.0 x 115.2mm (4.93" x 2.05" x 4.54")
Weight	435g (0.96 lb)