

Shine Through the Darkness

Ultra Low Light Levels of 0 Lux!



High Resolution IR LED Vandal-Resistant Dome Camera

SCV-2080R

- IR vandal-resistant dome camera with a horizontal resolution of 600 TV lines
- Visibility of 30m (high performance black IR LED)
- 3.6X varifocal lens (2.8 ~ 10mm)
- Dustproof and waterproof (IP66)
- OSD menu access via coaxial telemetry

High Resolution IR LED Vandal-Resistant Dome Camera

SCV-2080R

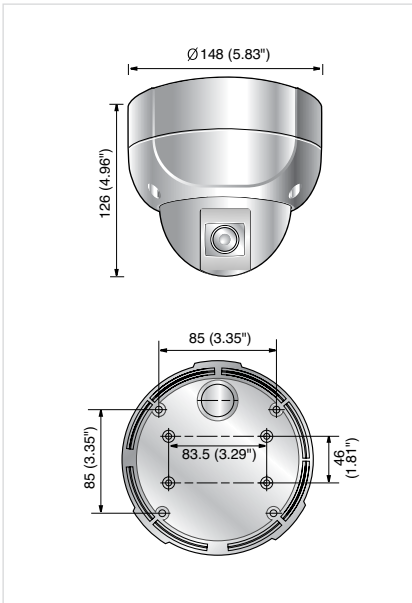


Specifications

	SCV-2080RN	SCV-2080RP
VIDEO		
Imaging Device	1/3" Super HAD CCD II	
Total Pixels	811(H) x 508(V)	795(H) x 596(V)
Effective Pixels	768(H) x 494(V)	752(H) x 582(V)
Scanning System	2 : 1 Interlace	
Synchronization	Internal / Line lock	
Frequency	H : 15.734KHz / V : 59.94Hz	H : 15.625KHz / V : 50Hz
Horizontal Resolution	Color : 600TV lines, B/W : 700TV lines	
Min. Illumination	Color : 0.15Lux@F1.2 (50IRE), 0.0003Lux (Sens-up, 512x), B/W : 0Lux (LED on)	
S / N Ratio	52dB (AGC off, Weight on)	
Video Output	CVBS : 1.0 Vp-p / 75Ω composite	
LENS		
Focal Length (Zoom Ratio)	2.8 ~ 10mm (3.6x)	
Max. Aperture Ratio	1 : 1.2(Wide) ~ 2.8(Tele)	
Angular Field of View	H : 94.4°(Wide) ~ 28°(Tele) / V : 69.2°(Wide) ~ 21°(Tele)	
Min. Object Distance	0.2m (0.66ft)	
Lens Type	DC auto iris	
Mount Type	Board type	
PAN / TILT		
Pan Range	0° ~ 340°	
Tilt Range	0° ~ 146°	
Rotate Range	0° ~ 340°	
OPERATIONAL		
On Screen Display	English, Japanese, Spanish, French, Portuguese, Taiwanese, Korean	English, French, German, Spanish, Italian, Chinese, Russian, Polish, Czech, Romanian, Serbian, Swedish, Danish, Turkish, Portuguese
Camera Title	Off / On (Displayed 15 characters)	
Day & Night	Auto (ICR) / Color / B/W	
Backlight Compensation	BLC / HLC / Off	
Contrast Enhancement	SSDR (Off / On)	
Digital Noise Reduction	SSNR/III (Off / On)	
Digital Image Stabilization	Off / On	
Motion Detection	Off / On (8 programmable zones)	
Privacy Masking	Off / On (12 programmable zones)	
Sens-up (Frame Integration)	2x ~ 512x	
Gain Control	Off / Low / High	
White Balance	ATW / Outdoor / Indoor / Manual / AWC (1,700K° ~ 11,000K°)	
Electronic Shutter Speed	1/60 ~ 1/120,000sec	1/50 ~ 1/120,000sec
Digital Zoom	Off / On (1x ~ 16x)	
Reverse	H-Rev (Off / On) / V-Rev (Off / On)	
Communication	Coaxial control (SPC-300 compatible), RS-485	
Protocol	Coax : Pelco-C (Coaxitron), RS-485 : Samsung-T/E, Pelco-D/P, Panasonic, Bosch, Honeywell, Vicon	
IR Distance	30m (IR LED 10ea)	
ENVIRONMENTAL		
Operating Temperature / Humidity	-10°C ~ +50°C (+14°F ~ +122°F) / Less than 90% RH	
Ingress Protection	IP66	
ELECTRICAL		
Input Voltage / Current	Dual (24V AC & 12V DC ±10%)	
Power Consumption	Max. 5W	
MECHANICAL		
Color / Material	Ivory / Aluminum, Plastic (Dome cover : Smoked)	
Dimensions (WxH)	Ø148.0 x 126.0mm (Ø5.83" x 4.96")	
Weight	1.3Kg (2.87 lb)	

Dimensions

Unit : mm (inch)



Accessories



The Eco mark represents Samsung Techwin's will to create environment-friendly products, and indicates that the product satisfies the EU RoHS Directive.

Design and specifications are subject to change without notice.



SAMSUNG TECHWIN CO., LTD.

701, Sampyeong-dong, Bundang-gu, Seongnam-si, Gyeonggi-do Korea 463-400
Tel : +82-70-7147-8741 ~ 8749, 8752 ~ 8760 Fax : +82-31-8018-3745
www.samsungipolis.com www.samsungsecurity.com

SAMSUNG TECHWIN AMERICA INC.

100 Challenger Rd. Suite 700 Ridgeland Park, NJ 07660
Toll Free : +1-877-213-1222 Direct : +1-201-325-6920
Fax : +1-201-373-0124
www.samsungcctvusa.com

SAMSUNG TECHWIN EUROPE LTD.

Samsung House, 1000 Hillwood Drive, Hillwood Business Park
Chertsey, Surrey, UNITED KINGDOM KT16 0PS
Tel : +44-1932-45-5300 Fax : +44-1932-45-5325

TIANJIN SAMSUNG TECHWIN OPTO-ELECTRONICS CO., LTD.

No.11 Wei 6 Street, Micro-Electronic Industrial Park
Jingang Road, Tianjin, P.R. CHINA 300385
Tel : +86-22-23887788 Fax : +86-22-23887788

■ DISTRIBUTED BY

