

**Produce Clearer Full HD Images
with Superior Color Reproduction**

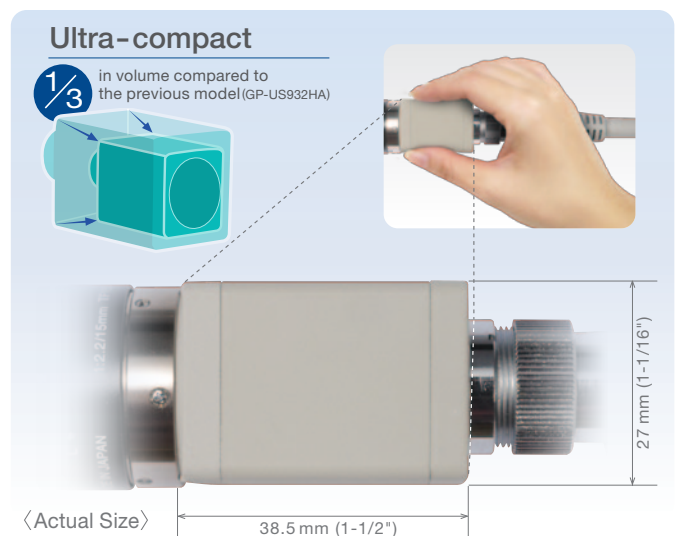


Lens is not included with the GP-US932X series

1/3 type 3MOS Full HD Camera with Compact Camera Head

Key Features

- 1/3 type Full HD 3MOS sensors
- 1080/59.94p, 50p resolution at HDMI output
- 1000 TV lines (typical) of horizontal resolution
- Multi-format:
(59.94Hz; GP-US932CSX)
1080/59.94p, 1080/59.94i, 1080/29.97p(sF), 720/59.94p, 480/59.94p, 480/59.94i
(50Hz; GP-US932CSXE)
1080/50p, 1080/50i, 1080/25p(sF), 720/50p, 576/50p, 576/50i
- Various video outputs: HDMI, SDI x2, RGB/YPbPr, Video, S-video
- Synchronization: Internal or External
- Required illumination: 2000 lx at F12 (when BINNING:ON)
- 3 Scene files allow to register each of adjustable parameter settings in accordance with an installation location or an intended purpose.
- Dynamic range function improves high-contrast images that include light and dark areas.
- Color matrix function allows independent hue and chroma adjustment in each of 12 axes.
- Functions: Camera title, ELC, Electronic shutter, Gain adjustment, Electronic sensitivity enhancement, Binning, Red detail, White balance, Black balance, Electronic zoom (up to 2.5x), Freeze, Flip, Mirror, Status display
- HD camera cable can be selected from 4 m (13.1 ft.) / 6 m (19.7 ft.) / 10 m (32.8 ft.).
- Compact and lightweight camera head (GP-US932HX):
27 mm (W) x 30 mm (H) x 38.5 mm (D)
(1-1/16 inches (W) x 1-5/32 inches (H) x 1-1/2 inches (D)),
Approx. 70 g (0.15 lbs)



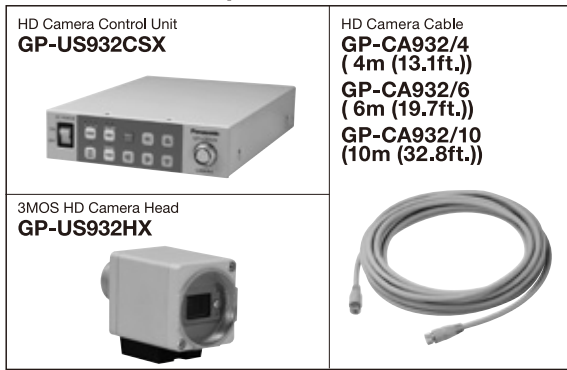
Recommended lenses

(As of September, 2012)

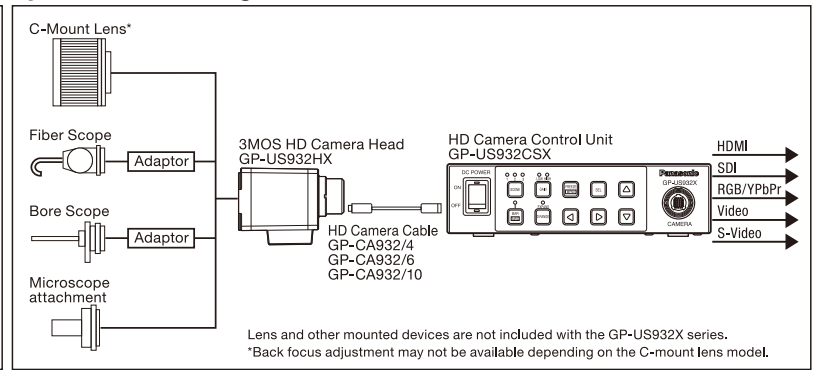
Manufacturer	Product name	Model
FUJIFILM	High Definition Fixed Lens	HAF4.8DA-1
	High Definition Zoom Lens	XA4x7.5DA-1
	3CCD Camera Lens	TF2.8DA-8, TF4DA-8, TF8DA-8B, TF15DA-8

*Use lens with projection length from mount part of 4 mm (5/32 inches) or less.
*The recommended lens aperture range is from F2.2 to F16.

GP-US932X Components



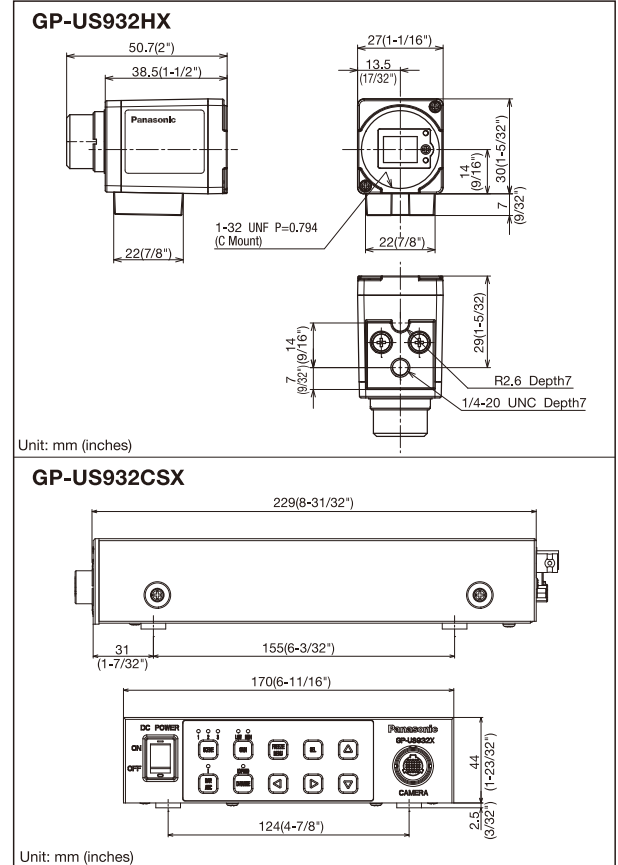
System Block Diagram



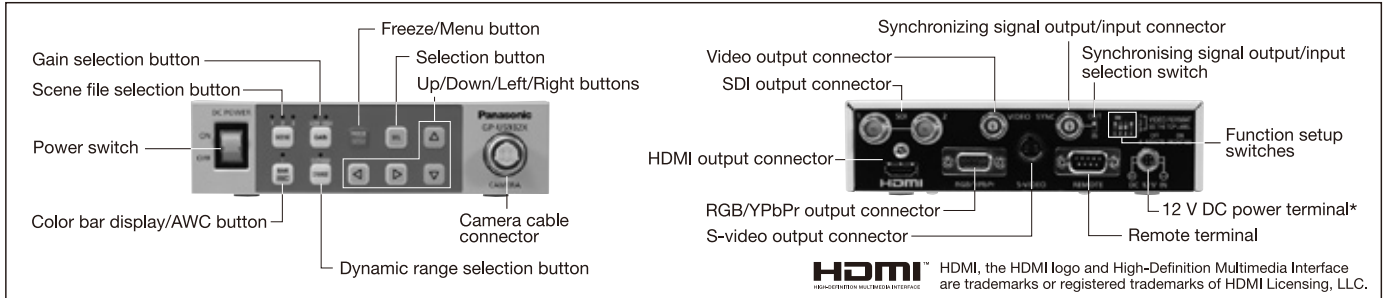
Specifications

Model No.	GP-US932CSX	GP-US932CSXE
Frame Frequency	59.94 Hz	50 Hz
Power source	12 V DC $\pm 10\%$	
Power consumption	Approx. 14.4 W (including camera head)	
Pick-up system	Micro prism system	
Image sensor	1/3 type 3MOS	
Synchronization	Internal or external synchronization	
Video output		
Video output	BNC connector x1, 1.0 V [p-p]/75 Ω	
S-video output	S-video connector x1 Y: 1.0 V [p-p]/75 Ω C: 0.286 V [p-p]/75 Ω	S-video connector x1 Y: 1.0 V [p-p]/75 Ω C: 0.3 V [p-p]/75 Ω
RGB/YpPr output	D-sub 9-pin connector x1 G: 1.0 V [p-p]/75 Ω B, R: 0.7 V [p-p]/75 Ω Y: 1.0 V [p-p]/75 Ω Pb, Pr: 0.7 V [p-p]/75 Ω SYNC: 0.286 V [p-p]/75 Ω VIDEO: 1.0 V [p-p]/75 Ω	D-sub 9-pin connector x1 G: 1.0 V [p-p]/75 Ω B, R: 0.7 V [p-p]/75 Ω Y: 1.0 V [p-p]/75 Ω Pb, Pr: 0.7 V [p-p]/75 Ω SYNC: 0.3 V [p-p]/75 Ω VIDEO: 1.0 V [p-p]/75 Ω
HDMI output	HDMI connector x1	
SDI output	BNC connector x2	
Video format		
Video output	480/59.94i	576/50i
S-video output	480/59.94i	576/50i
RGB/YpPr output	1080/59.94p, 1080/29.97p(sF), 720/59.94p, 480/59.94i	1080/50i, 1080/25p(sF), 720/50p, 576/50i
HDMI output	1080/59.94p, 1080/29.97p(sF), 720/59.94p, 480/59.94i	1080/50p, 1080/50i, 1080/25p(sF), 720/50p, 576/50p
SDI output	1080/59.94i, 1080/29.97p(sF), 720/59.94p, 480/59.94i	1080/50i, 1080/25p(sF), 720/50p, 576/50i
Required illumination	2000 lx (3200 K, F12, BINNING: ON)	
Minimum illumination	5 lx (F2.2, GAIN: HIGH, BINNING: ON, 30 % output, at center)	
S/N	54 dB (at output using 1080i)	
Horizontal resolution	1000 TV lines at center (typ. when 1080i output)	
Color bar	SMPTe color bar with 0 % set-up	
Functions	Camera title, ELC, Electronic shutter, Gain adjustment, Electronic sensitivity enhancement, Binning, Output signal changeover, Scene file, White balance, Black balance, Electronic zoom, Freeze, Flip, Mirror, Status display, Display format changeover for the SD format	
External control	RS-232C D-sub 9-pin connector x1	
Ambient operating temperature	0°C to 40°C (32 °F to 104 °F)	
Ambient operating humidity	30 % to 90 %	
Dimensions	GP-US932CSX	170 mm (W) x 44 mm (H) x 229 mm (D) {6-11/16 inches (W) x 1-23/32 inches (H) x 9 inches (D)} (excluding rubber feet and projections)
	GP-US932HX	27 mm (W) x 30 mm (H) x 38.5 mm (D) {1-1/16 inches (W) x 1-5/32 inches (H) x 1-1/2 inches (D)} (excluding the tripod mount base and projections)
Weight	GP-US932CSX	Approx. 1.35 kg (2.98 lbs)
	GP-US932HX	Approx. 70 g (0.15 lbs)
Finish	Ivory color coating	

Appearance



Part Names and Functions



Important

- Safety Precaution : carefully read the operating instructions and installation manual before using this product.
- These products do not have medical standard approvals.
- This product is intended for usage in general electronics applications.
- The usage of this product for special purposes, such as traffic control instruments, transportation instruments, and medical instruments, may be prohibited without authorization under the applicable laws and regulations of each country or region where this product is in practical use. The arrangement for the authorization shall be made under customer's or user's own responsibility.

- All TV pictures are simulated.
- Masses and dimensions are approximate.
- Specifications are subject to change without notice.
- These products may be subject to export control regulations.

DISTRIBUTED BY:

Panasonic

<http://panasonic.net/security/>

Printed in Japan (3A-005A)