

Fingerprint

SOYAL

Access control system



AR821EF_OS
Optical sensor



AR821EF_CS
Capacitive sensor

AR821EF empower unique fingerprint biometric of each person to be used as ultimate identification that increase security level and time attendance accuracy for your organization. AR821EF is synced back to SoyalEtegra software for settings, easy data management and presentable reporting.

Ergonomic design

Slanted design is easier to see and scan fingers. Modern outlook provides a perfect balance between stylish ultra-modern door access reader and practicality.

Precise and fast recognition

Optical and capacitive scanner identify fingerprint in ultrafast speed 970 msec and 650 msec respectively.

Powerful access control function

AR821EF support advance access control to precisely control Who can enter Where (door group) at What time (time zone) using What method (fingerprint, card or pin) within the authorized period (Expiry date).

Intruder alarm function

External alarm will sound off and notify software if door is forced open or door is left open for long time.

LCD screen personalization

LCD screen can display your company and employee name to reinforce your corporate image.

Best value software

SoyalEtegra software includes comprehensive time attendance reporting. For enterprise customer, we support multi client network capability, multi branch remote view, CCTV, alarm monitoring and other advanced function to achieve total integrated building security system at very affordable price.

Icon based menu easy to learn



CCTV capture of in & out clocking



Alarm monitoring & picture capture



Multi shift time attendance



 **SOYAL**etegra
Access Control Management Software



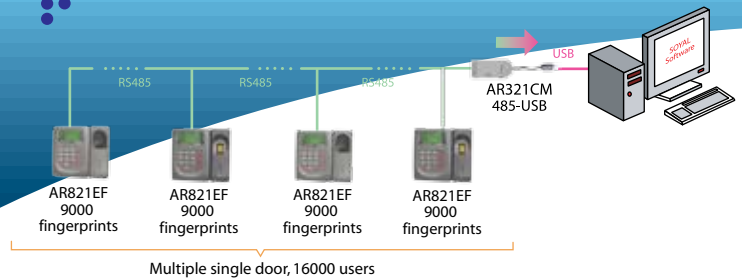


AR821EF specification

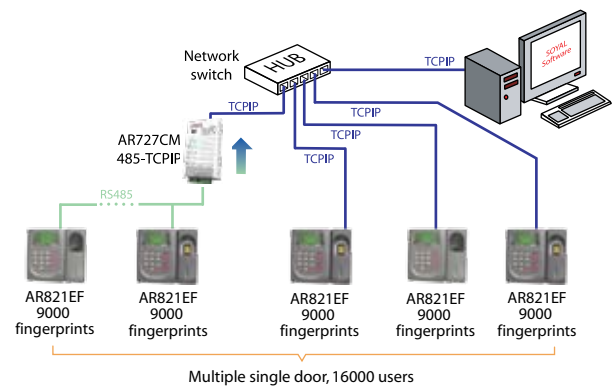
Card user	16,000 card users	
Event memory	32,000	
Time zone	63	
Holiday per year	120	
Door group	255	
Anti-passback	YES	
Time attendance	First-IN-Last-OUT based on software shift Time duty based on F-Key	
Alarm function	Door sensor input for force entrance and door open too long	
Duress function	4 duress code pin number	
LCD screen	128 x 64 (4 line message, 16 character per line)	
External Wiegand port for anti-passback function	Yes, WG26/34	
Push button input	YES	
Access Mode	Check FP	Fingerprint only *
	No Check FP	Card only / Card or PIN / Card + PIN

AR821EF is ideal for application that require reliable fingerprint security and time attendance system at affordable price. Its flexible architecture allow mixture of TCP/IP and RS485 network connection to suite site condition.

RS485 network connection



TCP/IP network connection



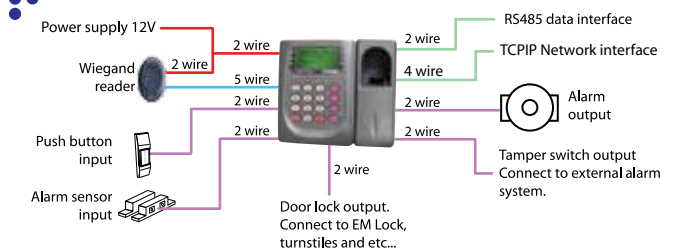
AR821EF Fingerprint feature

Fingerprint Sensor	Optical Sensor AR821EF_OS	Capacitive Sensor AR821EF_CS
1:1000 Identification time	970 msec	650 msec
FRR	< 0.01 %	
Fingerprint module CPU	400 MHz DSP	
Image size	384 Bytes	
Fingerprint capacity	9,000 template (each user 2 template)	
Sensor size (mm)	63 (L) X 43 (W) X 10(H)	
Encryption	256 bit AES (fingerprint data protection)	

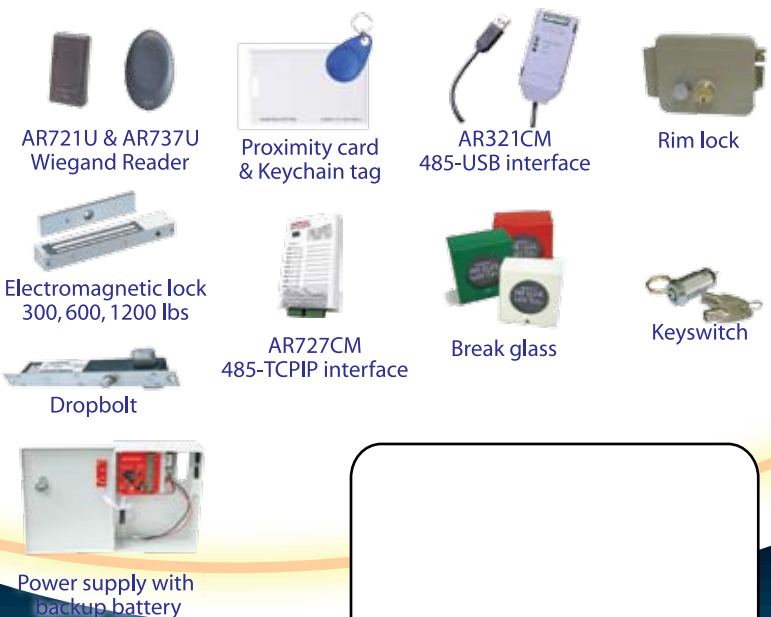
AR821EF Parameter

RF reading frequency	EM 125 KHz or Mifare 13.56Mhz
Card reading range	EM 5 - 8cm, Mifare 2 - 5 cm
Relay output	1 x Door relay output 1 x Alarm relay output
Door unlock time interval	Toggle, 0.1 to 600 sec
Alarm relay timer	Toggle, 1 to 600 sec
Communication interface	RS485 and TCP/IP
Serial port	RS485, 9600, N, 8, 1
Ethernet TCP/IP	10/100M Base T
Power consumption	10 to 18 VDC. Less than 5W.
Operating temperature	0° C to 50° C
Dimension (mm)	132 (L) x 144 (W) x 102 (H)
Weight	470 g

Standalone connection



Accessories



Ordering info

Model No.	Description
AR821EF_OS	Optical scanner + EM125khz reader
AR821EF_OS_1356	Optical scanner + Mifare 13.56Mhz reader
AR821EF_CS	Capacitive scanner + EM125khz reader
AR821EF_CS_1356	Capacitive scanner + Mifare 13.56Mhz reader

Authorized dealer