
Quick Guide
16 Zones Remote Switch
(yellow LED)

(support 64 security contacts and more)

(English)

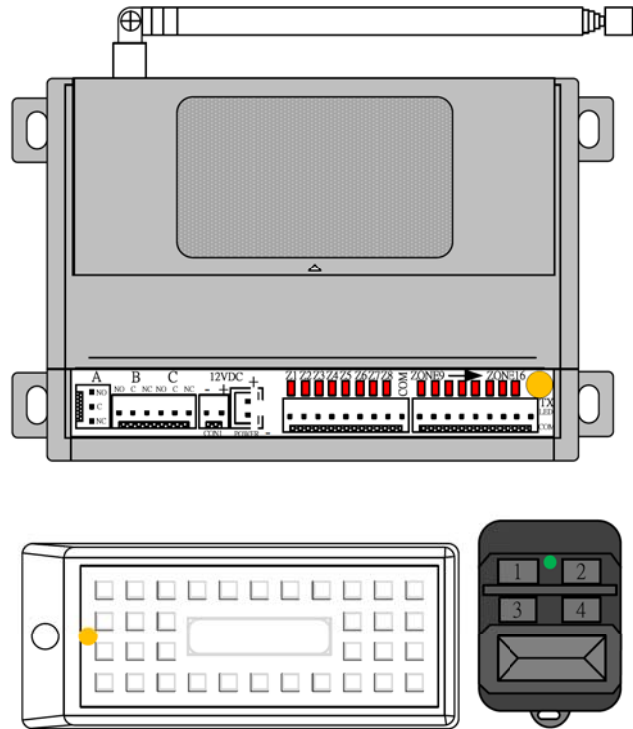
Quick Guide
16 Zones Remote Switch
(yellow LED)

(support 64 security contacts and more)

(中文)

· Remote Switch System: RX, TX and R/C

The Remote Switch System is dedicated wireless solution for home security system. It aims for hassle free of wiring between sensors (reed switch, vibrator, PIR, etc.) and home security panel. In new version of Remote Switch both in TX and RX, we implement new function best for Malaysia market. They are the Reed Switch Mode and the Vibrator Mode. One RX is able to support totally 48 TX in Reed Switch Mode and unlimited number of TX in vibrator mode. Remote Switch System also provides three relay outputs (N.C. or N.O.) and 16 transistor outputs (common ground)

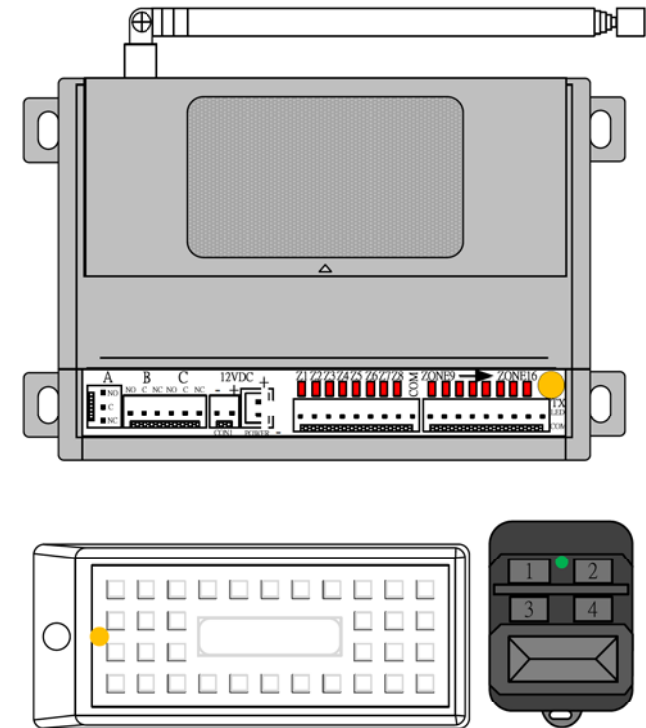


NOTICE

Remote Switch System is to provide "as is" wireless connection between TX and RX. Any possible radio noise, different environment may cause unexpected failure of communication. Should you choose to accept this product without our responsibility to your loss of property and estate.

· Remote Switch System: RX, TX and R/C

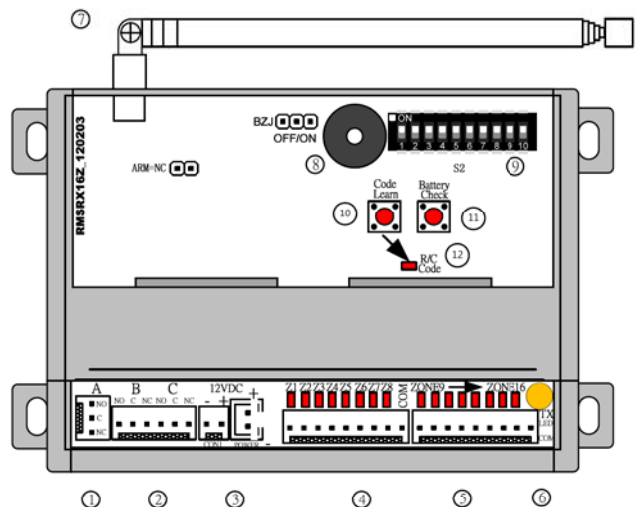
遙控開關系統是專門供給現代家防系統來使用。其目標在於簡化感應器與防盜主之間佈線 (reed switch、vibrator、PIR 等) 時的複雜度。在新版本的遙控開關系統中，我們實現了全新功能專門針對馬來西亞市場的需求。它們是 Reed Switch 模式與 Vibrator 模式。一組 RX 最多可以支援到 48 組 TX 於 Reed Switch 模式，與無限多組的 TX 於 Vibrator 模式。遙控開關系統也支持了 3 組繼電器輸出 (長開或長閉，可自由變化使用)，與 16 個電晶體輸出 (共地)。



NOTICE

Remote Switch System is to provide "as is" wireless connection between TX and RX. Any possible radio noise, different environment may cause unexpected failure of communication. Should you choose to accept this product without our responsibility to your loss of property and estate.

· Remote Switch RX

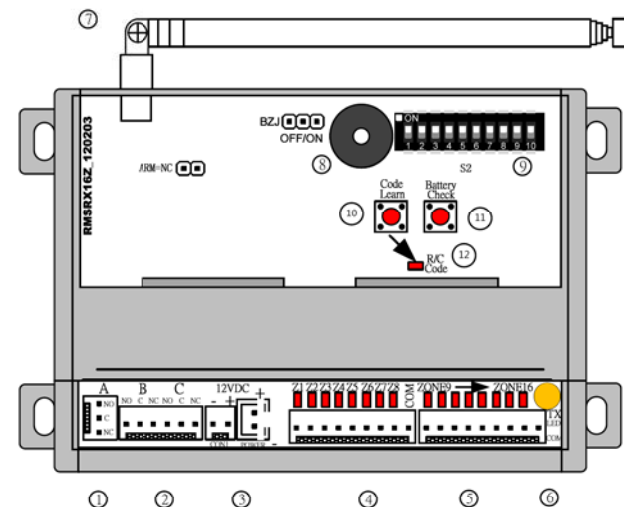


1. Remote Control Output A: R/C Button 1
2. Remote Control Output B and C: R/C Button 2 for B, 3 for C
3. Power Input, 12VDC (main power jack)
4. 16 Zone Outputs LED indicators; On for Open Circuit, Off for Closed Circuit
5. 16 Zone Outputs (Common Ground)
6. TX Low Battery Indicator (LED): Slow flash when Low Battery
7. Antenna
8. BUZZER
9. Dip Switch for Site Code
10. Learning Button for Remote Control
11. Battery Check Button
12. Signal Indicator: Fast Blink when receiving correct signal

NOTICE

1. New version RX will detect each zone whether it is open or closed after power up. This function works with new version TX only and may take up to 15 minutes to check each new version TX .
2. Every zone in new version RX will support unlimited number of new/old version TX with vibrator mode (branch code: "D").
3. This is CMOS transistor open-collector output with short-protect resistor 47 ohm, and the max power-driven is 90 mA @ 12VDC. Please do not overload it.

· Remote Switch RX

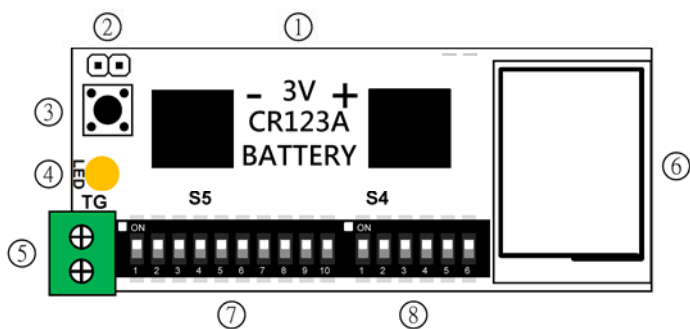


1. 遙控器輸出 A · 對應遙控器 1 鍵
2. 遙控器輸出 B 與 C · 對應遙控器 2 鍵與 3 鍵
3. 直流 12 伏特電源輸入
4. 防區 (ZONE) 指示燈: 亮時 · 防區開路; 暗時 · 防區閉路。
5. 16 個防區 (ZONE) 輸出 (共地)
6. 發射器 (TX) 低電壓警示燈: 任一電量不足時 · 開始慢閃
7. 天線
8. 蜂鳴器
9. Side Code 指撥開關
10. 學習按鍵 (學習遙控器 R/C)
11. 電池電量確認鍵
12. 信號指示燈 (遙控器或者發射器): 快閃時 · 信號接收

NOTICE

1. 新版本 RX 將會偵測每個防區是否開啟或者關閉 · 當系統供電之後 · 這個功能必須搭配新版本 TX · 至少需要 15 分鐘來確認每個新版本 TX 的狀態 ·
2. 新版本 RX 的每一防區 · 將可以支持無限多組的新版本或舊版本的 TX 設定在 vibrator 模式 (branch code: "D") ·
3. 這是 CMOS 電晶體集極開路的設計帶有短路保護電阻 47 歐姆 · 而且最大的電流能力為 90 mA @ 12VDC · 請不要過載之 ·

· Remote Switch TX

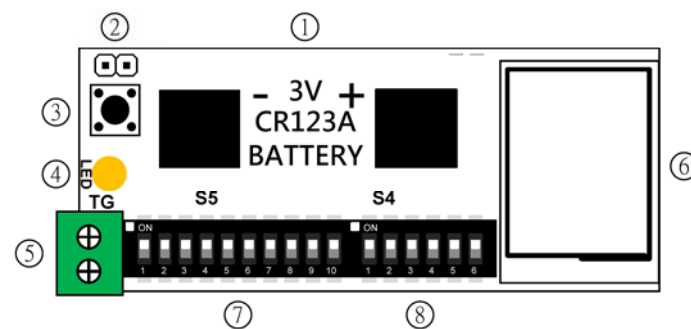


1. Battery Holder (CR123A).
2. Temper Switch Function: Short for Disable; Open for Enable
3. Temper Switch
4. Indicator: Fast Blink for transmitting or Slow Flash for Low Battery
5. Connector: for vibrator, reed switch, PIR, etc.
6. Antenna
7. Dip Switch for Side Code: 1'024 combinations
8. Dip Switch for Zone Code

NOTICE

1. We only recommend Sony, Sanyo, Maxwell, Energizer, Duracell, Panasonic or GP CR123A batteries. Batteries from other brands may cause unexpected problems.
2. Old version TX is only recommended to set as vibrator mode (Branch Code in "D") for new version RX
3. The "range" between TX and RX may vary from places to places. Please make sure no obvious source of radio noise in your protection area before installing TX or RX, such as motors, metal pieces, transformers, or any other devices with similar radio frequency.

· Remote Switch TX

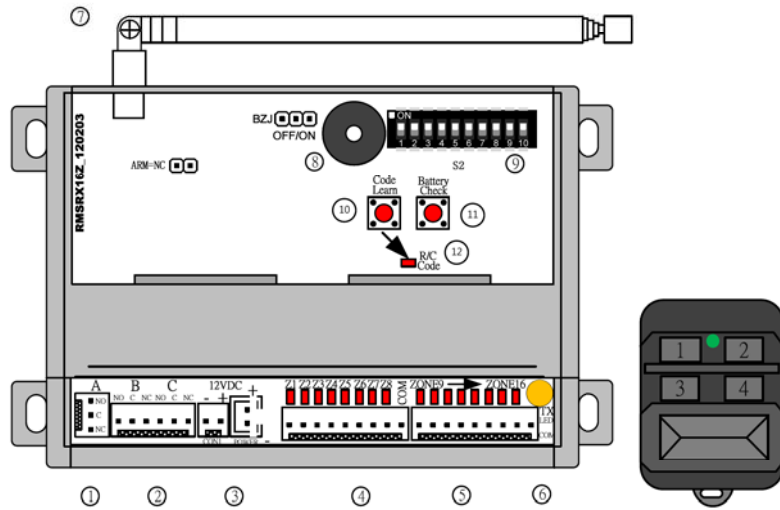


1. 電池座 (CR123A)
2. 防拆保護功能開關：短路時 · 關閉此功能；開路時 · 開啟此功能
3. 防拆保護功能
4. 指示燈：快閃時 · 信號發射中；持續慢閃時 · 低電壓警示
5. 連接器：用來連接 reed switch、vibrator、PIR · 等
6. 天線
7. Side Code 指撥開關：總共支持 1'024 組合
8. Zone Code 防區指撥開關

NOTICE

1. 我們建議使用 Sony, Sanyo, Maxwell, Energizer, Duracell, Panasonic 或 GP 的 CR123A 電池 · 其他廠牌的電池或將造成不可預期的問題 ·
2. 舊款 TX 僅建議設定在 vibrator 模式 (分區碼 D) 以符合新款 RX 的功能 ·
3. 發射器與接收器之間的距離或與安裝環境的不同而有所改變 · 請於安裝前 · 確保防護區域內沒有明顯的無線電干擾源 · 譬如：馬達 · 電機 · 金屬塊 · 變壓器 · 或者其他有著類似無線電頻道的裝置 ·

· Learning Remote Control (R/C) in RX



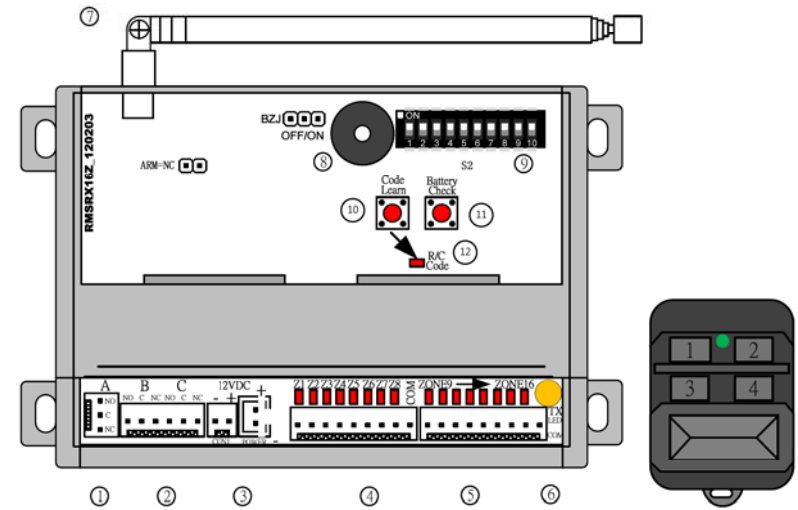
1. Press and hold Learning button up to 3 second until Signal Indicator is stay-on.
2. Within 5 seconds, Press any button of Remote Control (R/C) until Signal Indicator is fast blinking.
3. Done and Ready for R/C Learning.
4. The 2nd R/C with the same address code, will be workable, immediately.

· Activating Side Code Setting

Whenever users set new Site Code in TX/RX, please proceed power-reset to activate new setting. The power-reset is to remove power jack/battery, wait for at least 3 seconds and put it back again.



· Learning Remote Control (R/C) in RX



1. 長押學習按鍵達三秒鐘，直到信號接收指示燈恆亮。
2. 五秒之內，按壓遙控器的任一鍵直到信號接收指示燈快閃，表示學習完畢。
3. 此時，遙控器的設定，皆已經記憶住。
4. 第二組遙控器的指撥開關若是與第一組所設定的一樣，則立即可以工作。

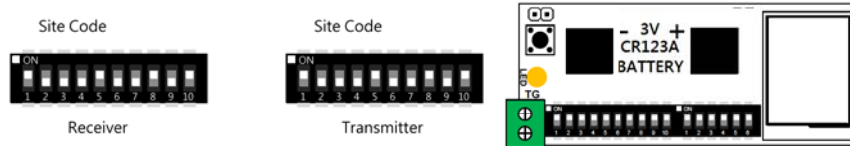
· Activating Side Code Setting

無論何時，使用者要變更發射器 (TX) 或接收器 (RX) 的指撥開關之 site code 設置，請先將電源/電池移除，等待三秒以上，再重新插入，使新的設定生效。



· Setting Site Code for Remote Switch TX

The Remote Switch System has its own unique Site Code to ensure the communication between RX and TX is correct and secured. This site code is user's preferred number up to 1'024 combinations. Both of RX and TX must have the same site code.



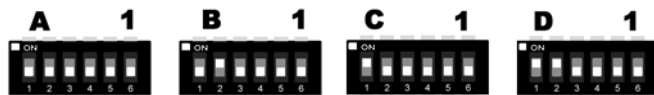
· Setting Zone Code for Remote Switch TX

Every Remote Switch TX has one of the 16 zone codes as below...



· Setting Branch Code for Remote Switch TX

Every Remote Switch TX with a specific zone code also has four branch codes. Take "zone 1" for example, by setting up dip switch as below, users will have at least 4 TX with the same zone code, such as zone 1A, zone 1B, zone 1C and zone 1D which all belongs to the same zone.

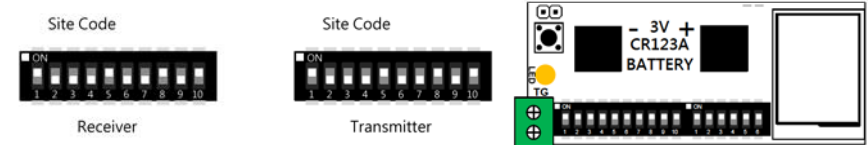


· Branch Code: Reed Switch Mode (2 way) or Vibrator Mode (1 way)

Now each TX has two different mode, such as Reed Switch Mode and Vibrator Mode. For Reed Switch Mode (branch code set in A, B and C), the TX is for Reed Switch or Magnetic Sensor. For Vibrator Mode (branch code set in D only), the TX is for vibrator or PIR. Therefore, each zone in new version RX will support up to 3 reed switch contacts and unlimited number of vibrator contacts. If there's more than one reed switch sensor in serial looping, please set in Reed Switch Mode.

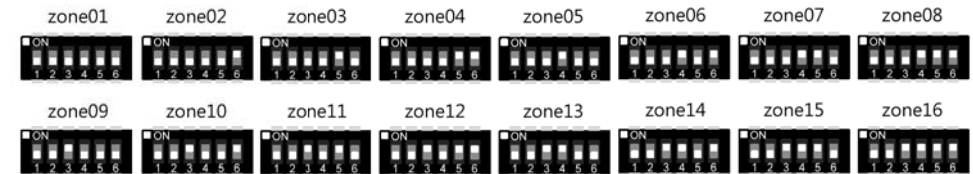
· Setting Site Code for Remote Switch TX

遙控開關系統採用其獨特的編碼方式，也就是所謂的 Site Code，來保證發射器與接收器之間的溝通正確無誤。使用者可以設定自己的 Site Code，且共有 1024 種組合方式。請確保發射器與接收器的 Site Code 設定之一致性。



· Setting Zone Code for Remote Switch TX

每個發射器，可以設定為其中一個防區編號，共 16 個防區，如下。



· Setting Branch Code for Remote Switch TX

每個有了固定防區號的發射器，還可以分成四個分區。以 Zone 1 為例，經過如下的設定，可以至少得到 Zone 1A、Zone 1B、Zone 1C、Zone 1D，等，四個發射器都屬於同一防區。

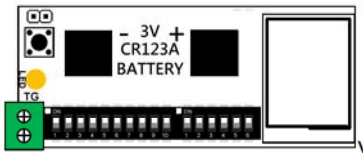
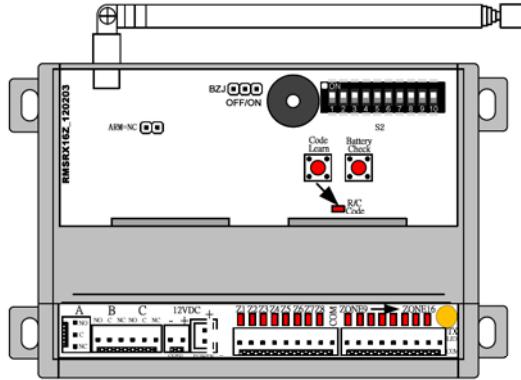


· Branch Code: Reed Switch Mode (2 way) or Vibrator Mode (1 way)

現在每個發射器擁有兩種模式，Reed Switch 模式與 Vibrator 模式。在 Reed Switch 模式底下 (branch code 設定在每一防區的 A 或 B 或 C 分區)，發射器將適合於 Reed Switch 或 Magnetic Sensor。在 Vibrator 模式底下 (branch code 設定在每一防區的 D 分區)，發射器將適合於 vibrator 或 PIR。此後，新版本 RX 的每個防區將支持高達三個 reed switch 感應點，與無限多的 vibrator 感應點。假如在一個串聯迴路當中，有一個以上的 reed switch，請設定在 Reed Switch 模式。

· Battery Check Button and Low Battery Warning

When any TX is under low battery, the RX will start "Low Battery Warning". Then System (both TX and RX) will have Low Battery Indicator Slow-Flash to remind users the necessity of battery replacement.



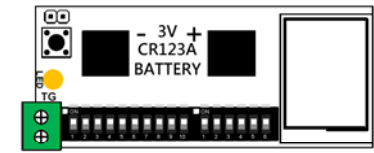
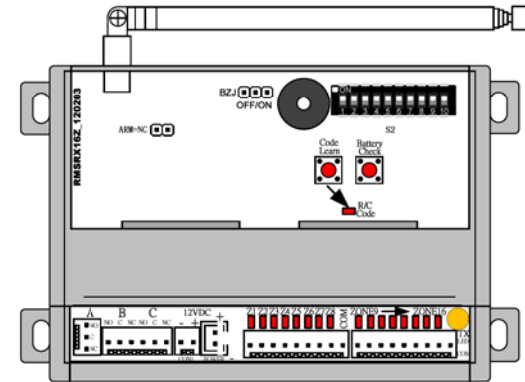
When the "Low Battery Warning" starts...

1. Press and release **Battery Check Button or R/C button 4** and hear three long chirps: RX will indicate zone with low battery by slow-flashing ZONE LED.
2. When users replace new battery, the RX will exit "Low Battery Warning" automatically or press and hold **Battery Check Button (9) or R/C button 4 up to 3 seconds** to hear a series of short chirps from RX and exit "Low battery Warning".

When every TX is working properly without low battery, users only get two short chirps whenever they press and release Battery Check Button (9) or R/C button 4.

· Battery Check Button and Low Battery Warning

當任何的發射器處在電池電源不足的狀態，接收器將會執行低電壓警示功能。系統（發射器與接收器）將會慢閃低電壓警示燈以提示更換電池的必要性。

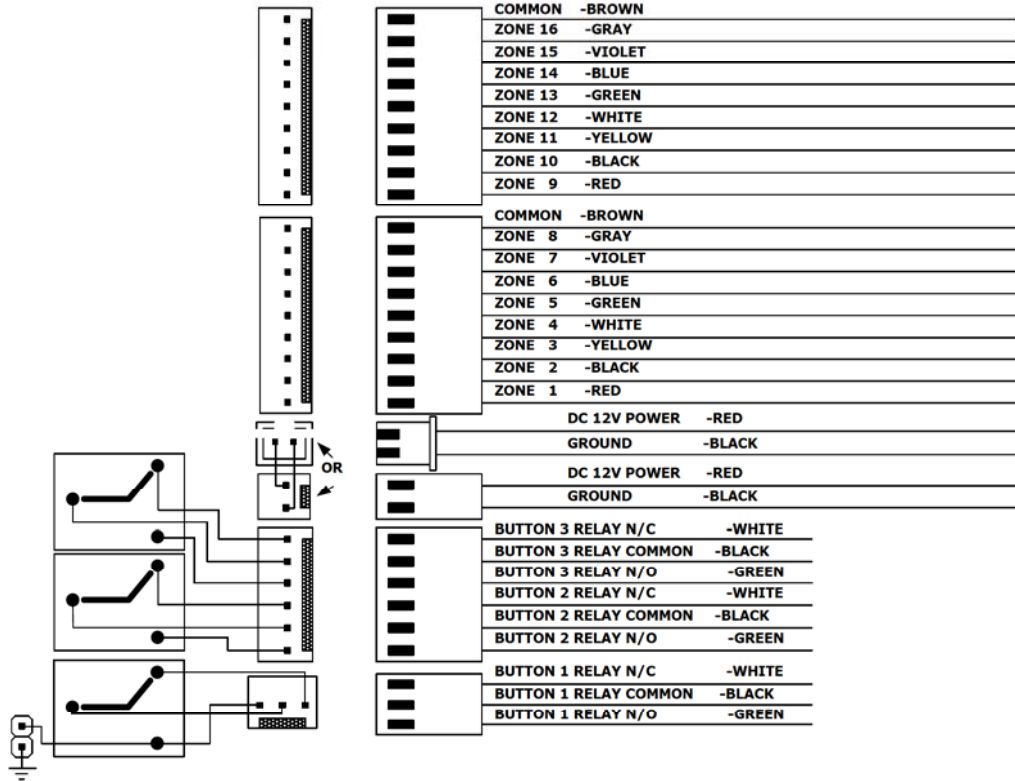


低電壓警示功能開始時...

1. 輕壓電池確認按鍵或者搖控的第四鍵，使用者將會聽到三長音。此時，接收器將會以防區指示燈來指出沒電的防區。
2. 當使用者更新發射器的電池，接收器會自動離開低電壓警示。或者長押電池電量確認按鍵或者遙控器第四鍵達三秒以上，此時使用者聽到一連串短音，來強迫離開低電壓警示。

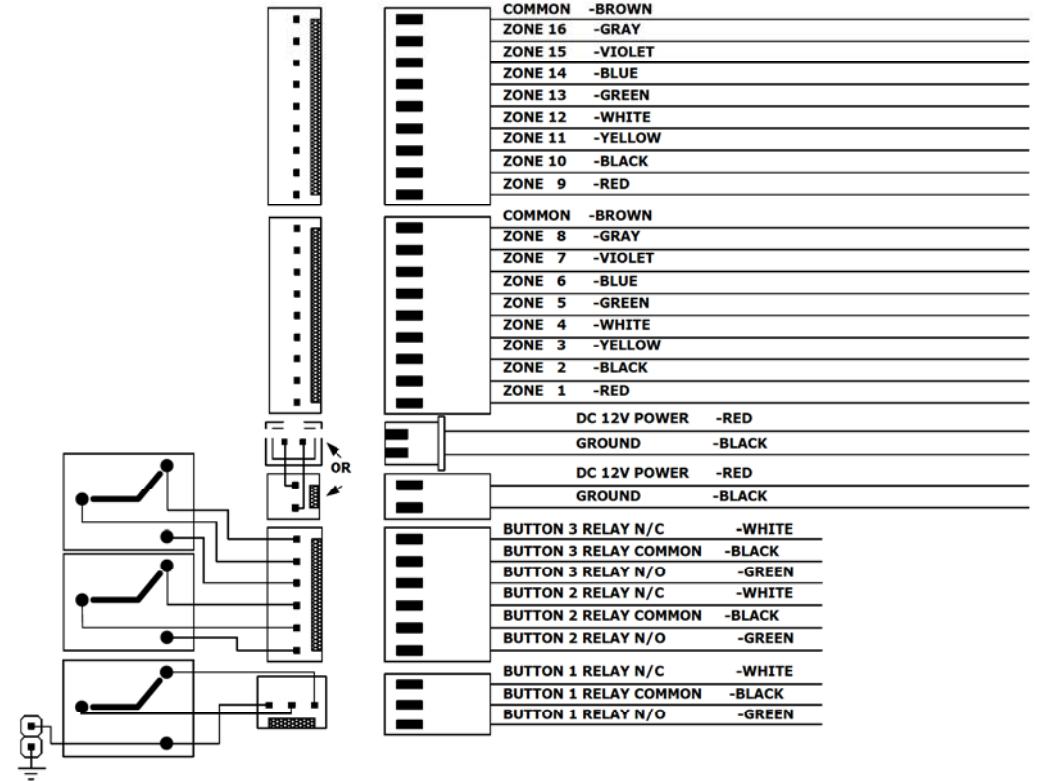
當每個發射器都是正常情況之下，倘若使用者輕押電池確認鍵或者遙控器第四鍵，將只會聽到兩短音，此時沒有任何發射器處在電池低電壓的狀態。

· Wiring Diagram



ADAM@UNI: This guide is subject to change without notice

Wiring Diagram



ADAM@UNI: 這份文件將會持續更新，恕不額外通知。