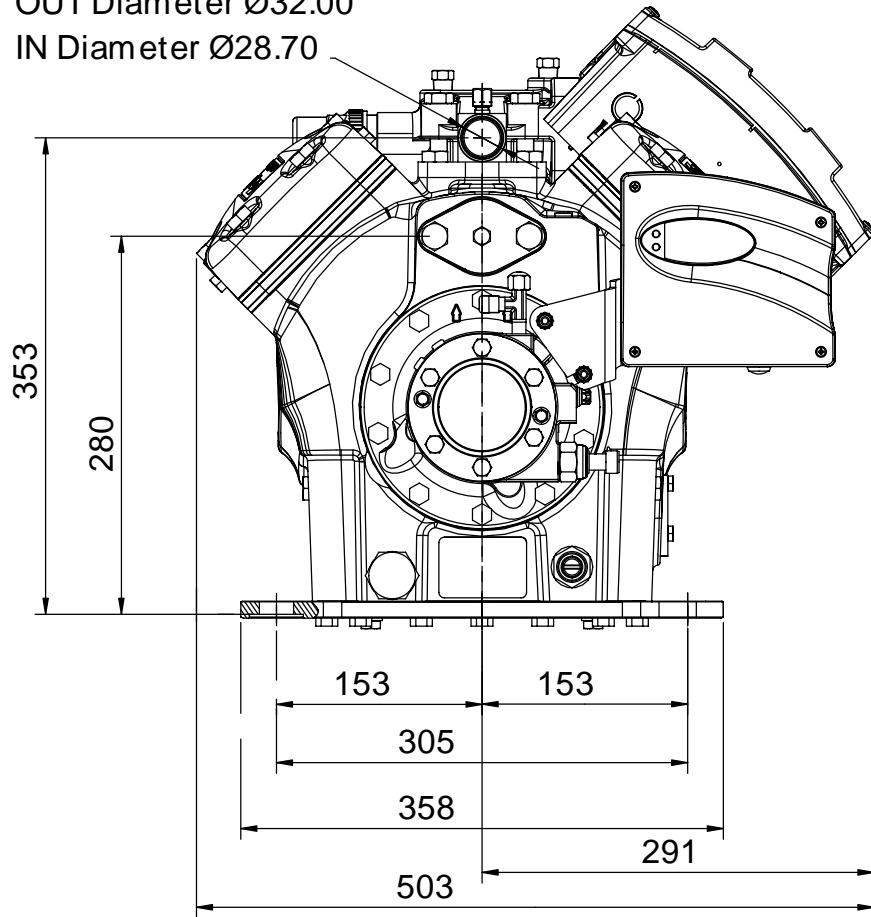


# Stream - The State Of The Art Semi-Hermetic Piston Technology

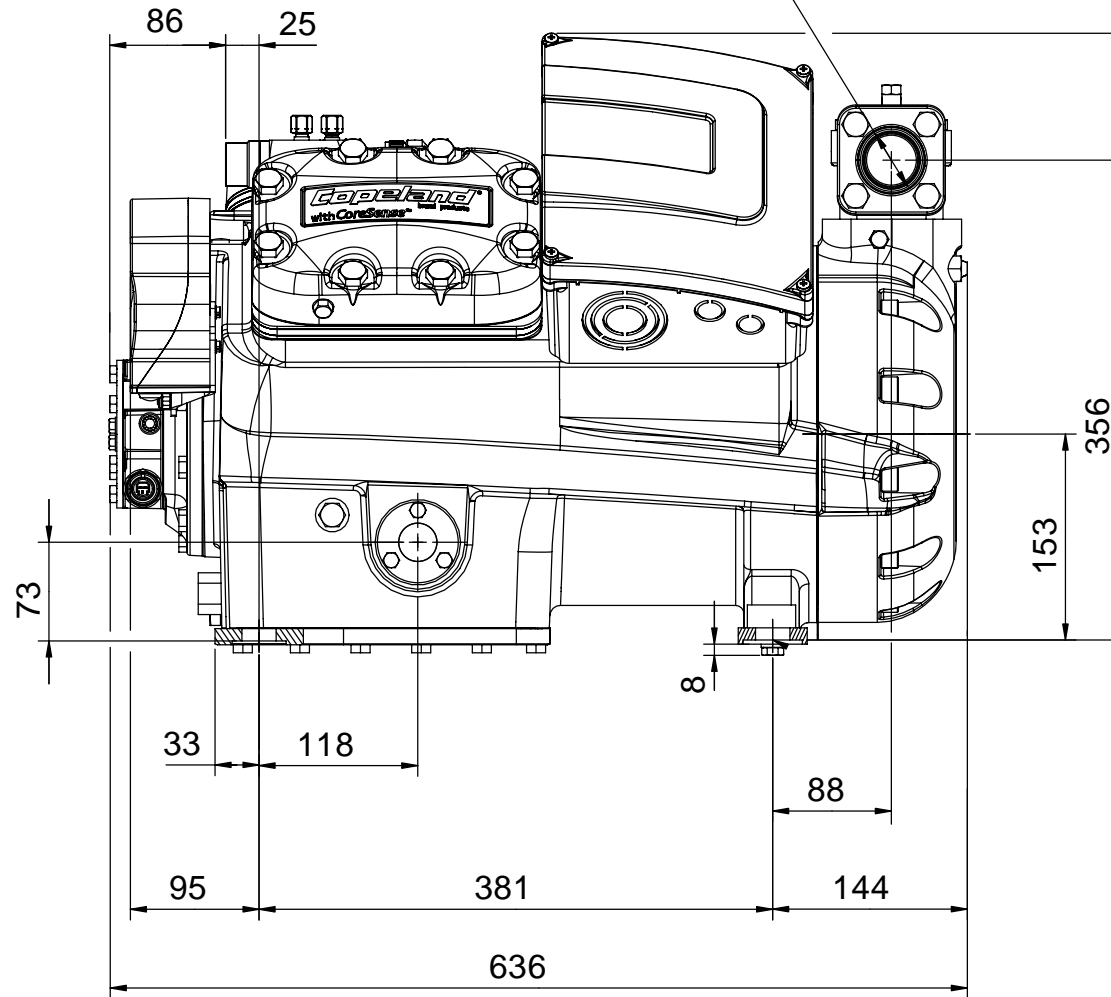


Model	Drawing Number	Revision Number	Date
4MA-22X	497-1201-00	0	19.03.2010
4MF-13X	497-1200-00	0	19.03.2010
4ML-15X	497-1202-00	0	19.03.2010

Discharge Valve  
 OUT Diameter Ø32.00  
 IN Diameter Ø28.70

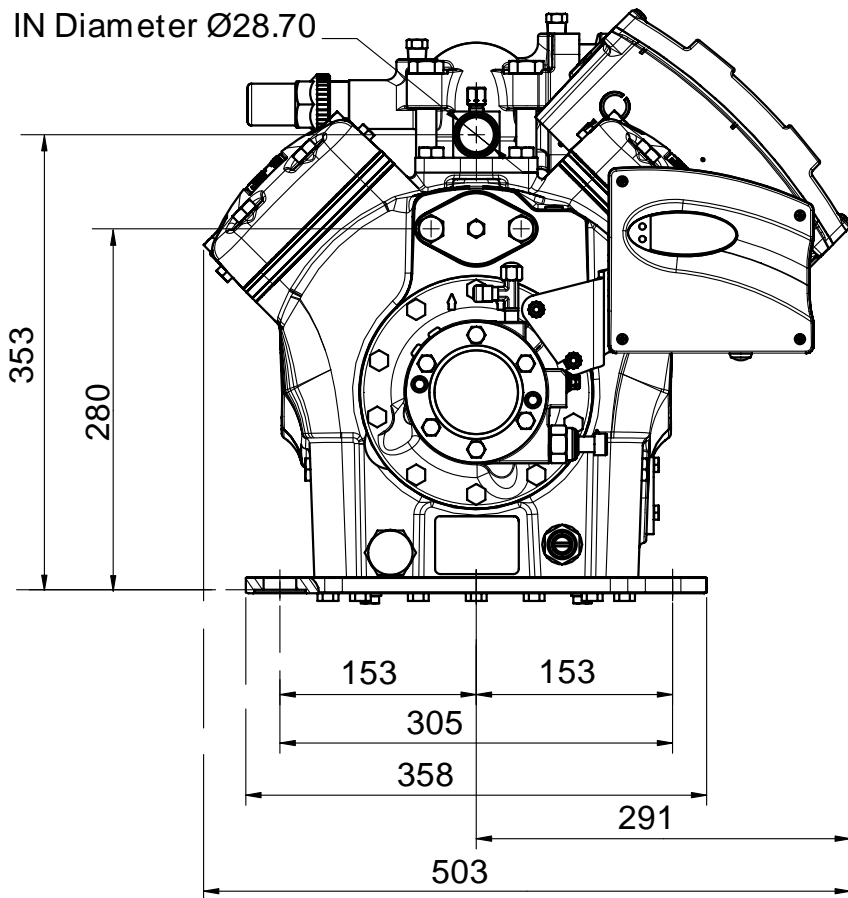


Suction Valve  
 OUT Diameter Ø46.00  
 IN Diameter Ø42.00

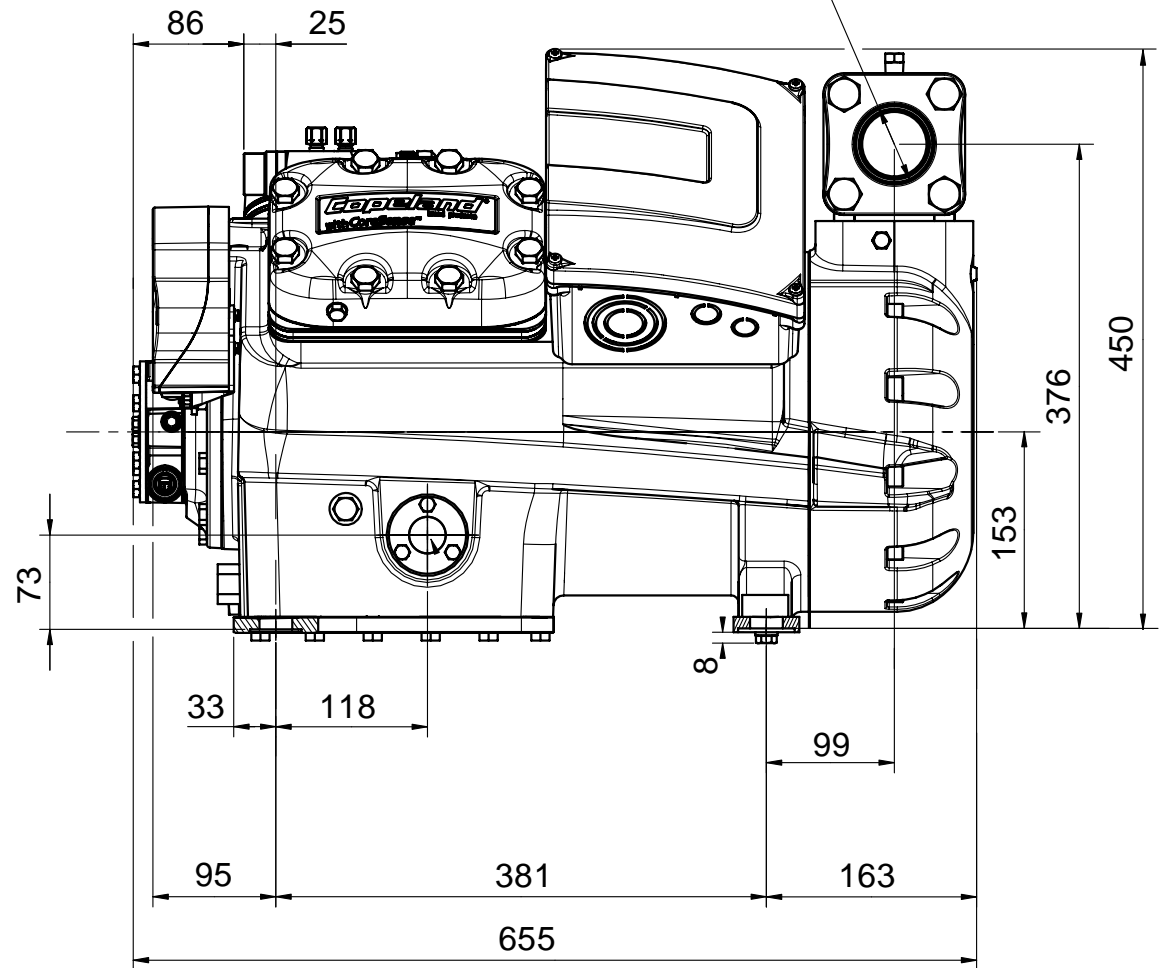


Model	Drawing Number	Revision Number	Date
4MH-25X	497-1203-00	0	19.03.2010
4MI-30X	497-1205-00	0	19.03.2010
4MM-20X	497-1204-00	0	19.03.2010

Discharge Valve  
 OUT Diameter Ø32.00  
 IN Diameter Ø28.70

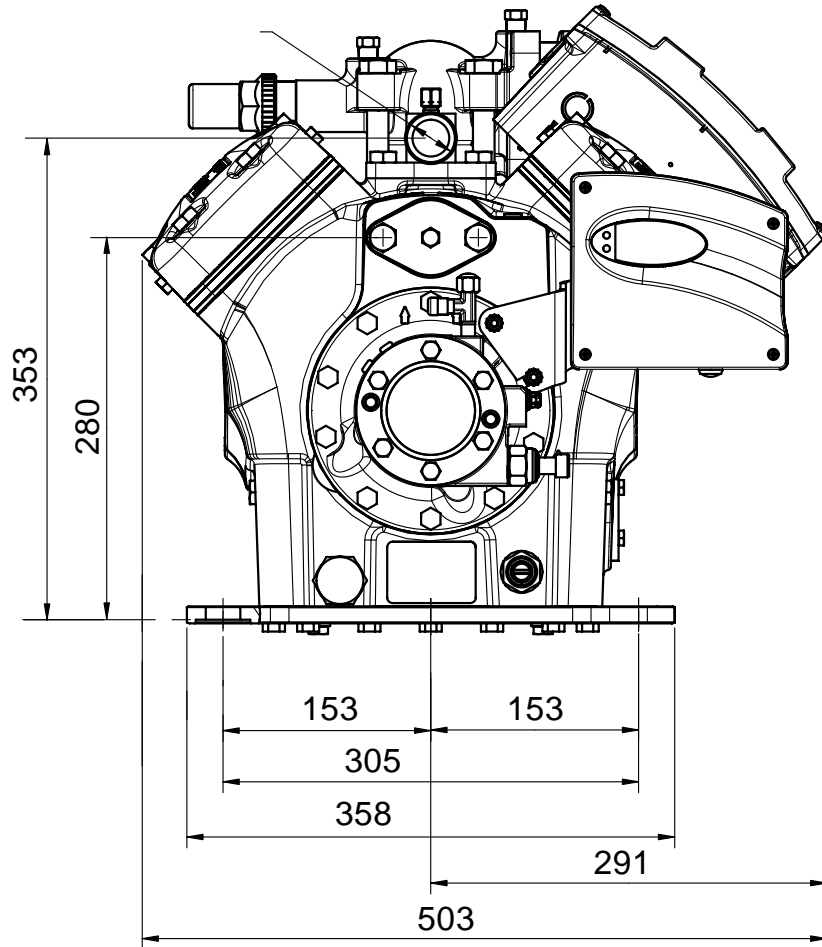


Suction Valve  
 OUT Diameter Ø60.00  
 IN Diameter Ø54.17

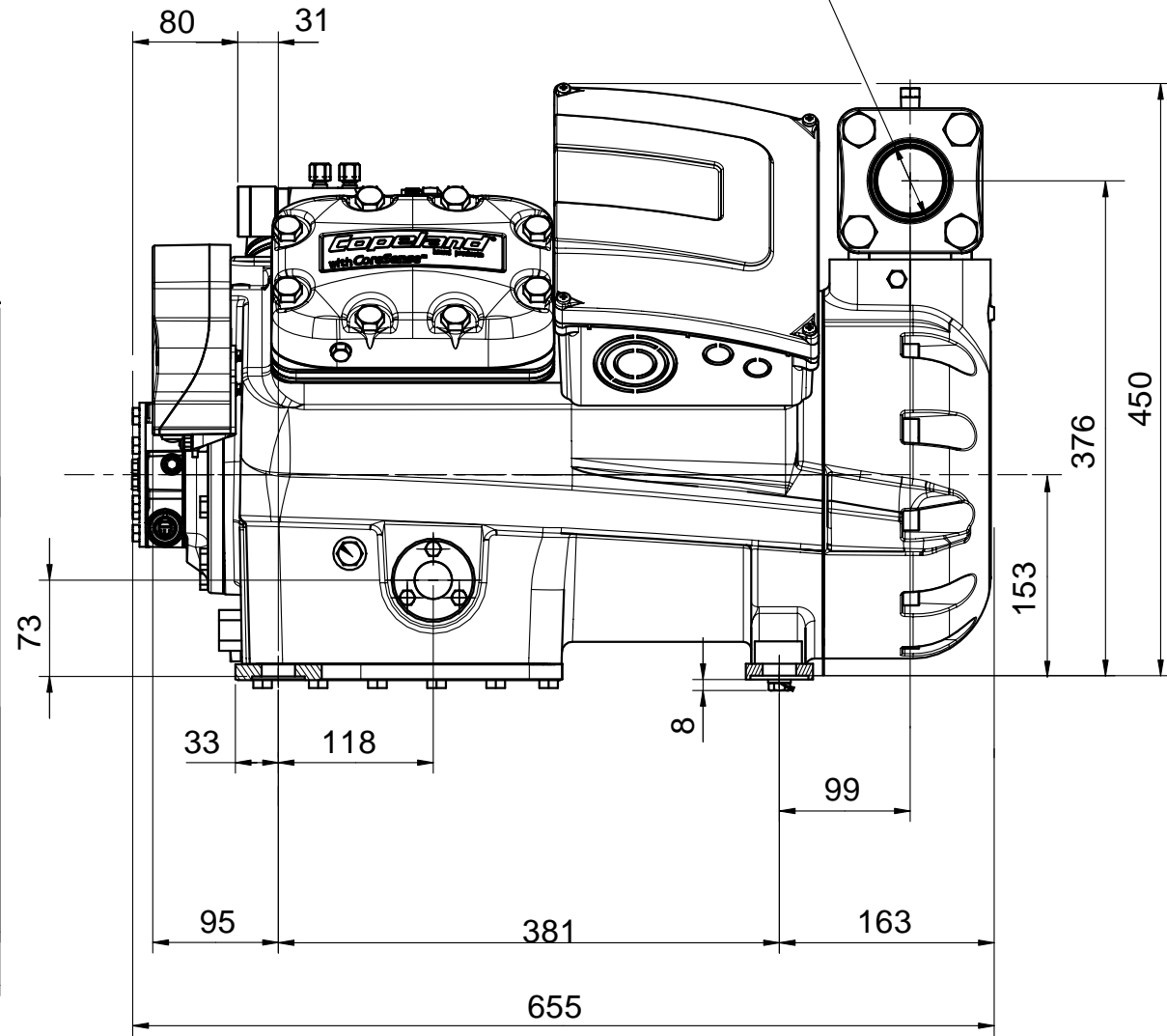


Model	Drawing Number	Revision Number	Date
4MJ-33X	497-1207-00	0	19.03.2010
4MT-22X	497-1206-00	0	19.03.2010
4MU-25X	497-1208-00	0	19.03.2010

Discharge Valve  
 OUT Diameter Ø38.00  
 IN Diameter Ø34.93



Suction Valve  
 OUT Diameter Ø60.00  
 IN Diameter Ø54.17



Model

4MK-35X

Drawing Number

497-1209-00

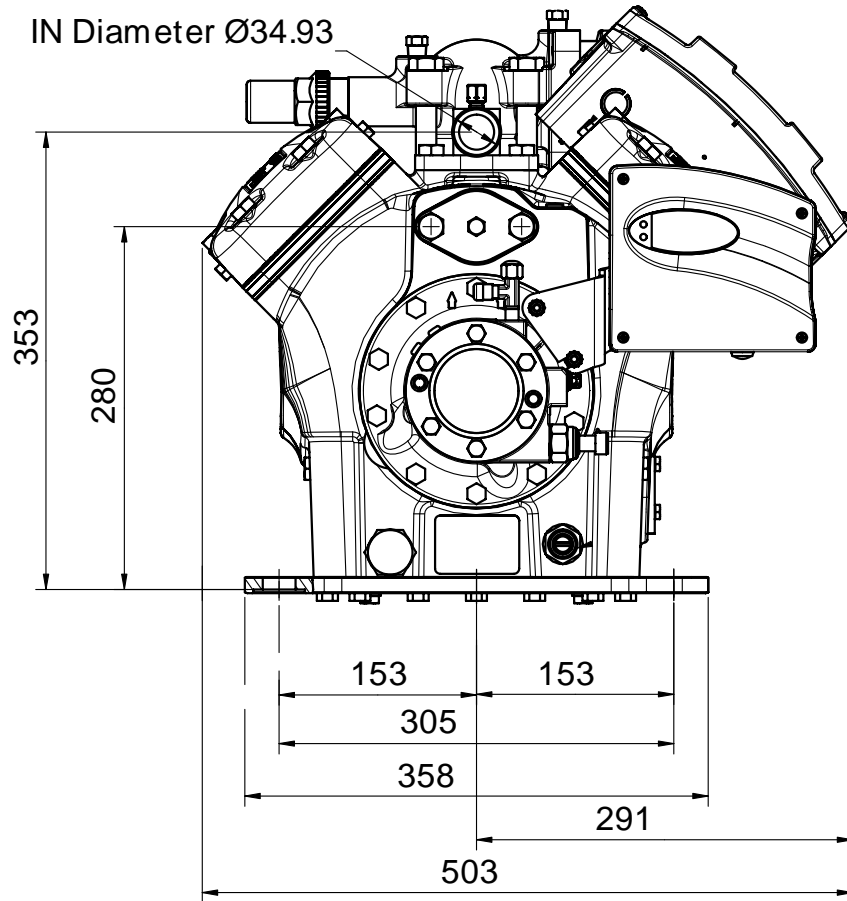
Revision Number

0

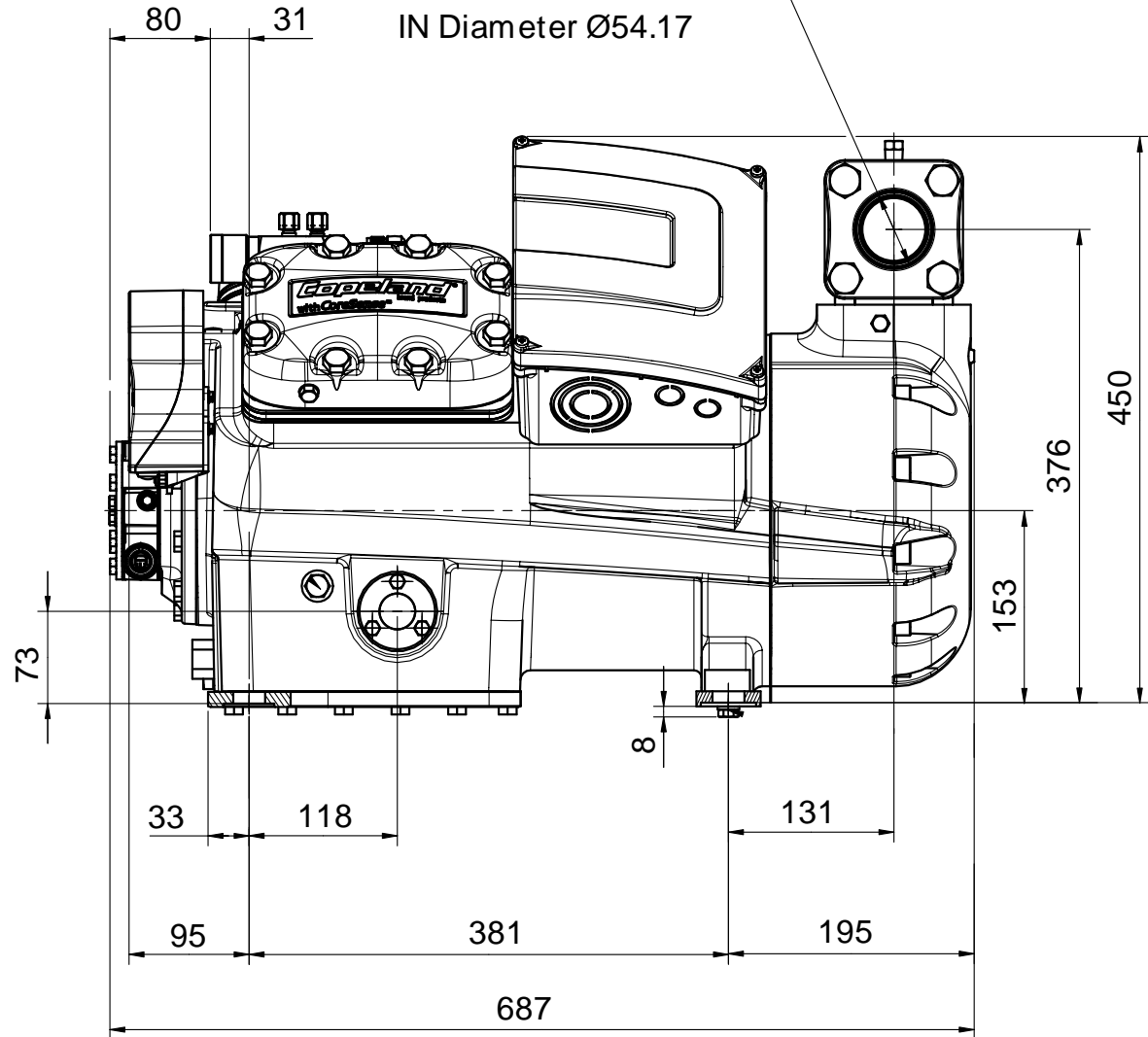
Date

19.03.2010

Discharge Valve  
OUT Diameter  $\text{\O}38.00$   
IN Diameter  $\text{\O}34.93$



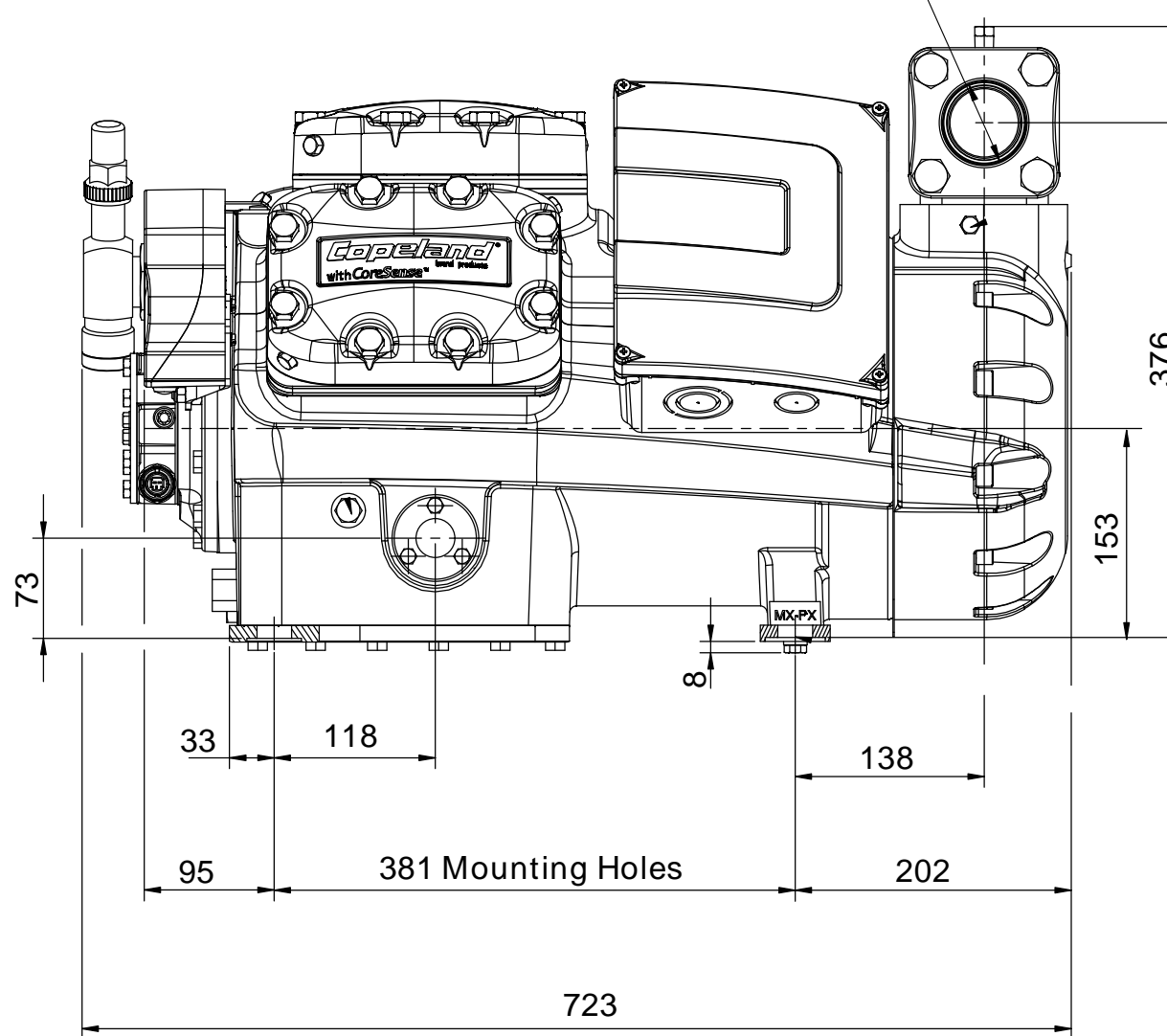
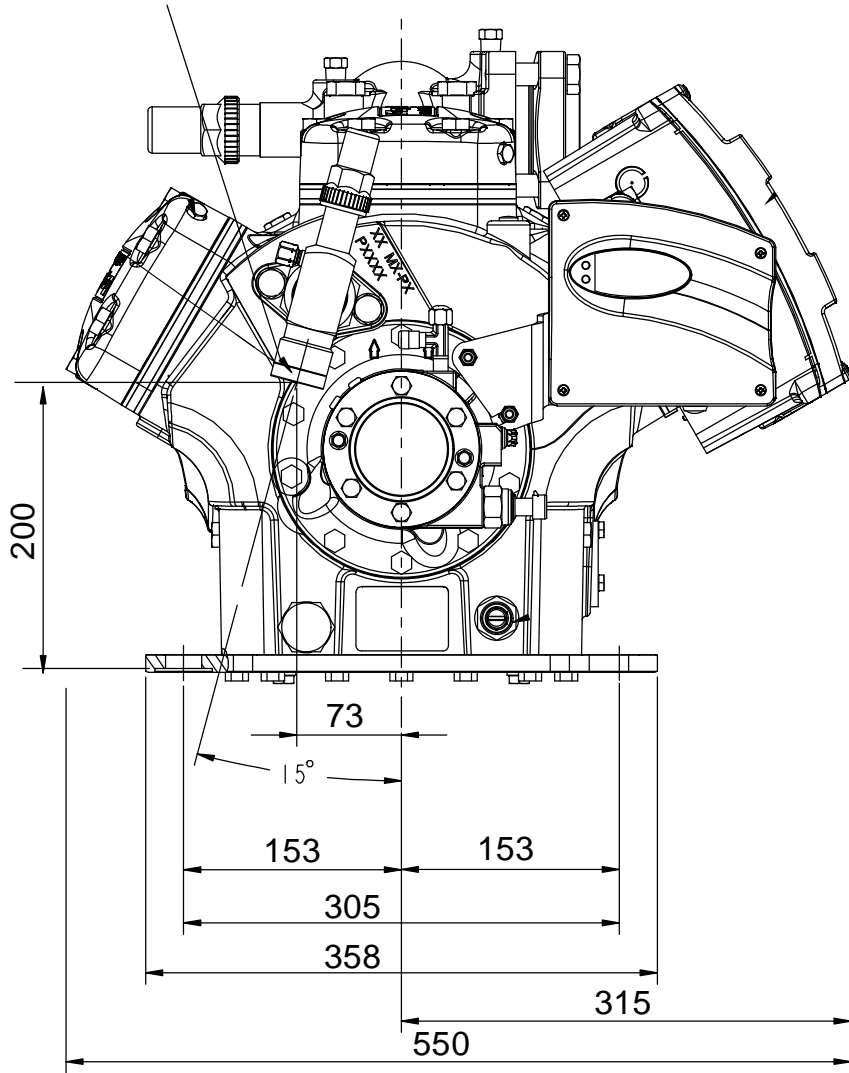
Suction Valve  
OUT Diameter  $\text{\O}60.00$   
IN Diameter  $\text{\O}54.17$



Model	Drawing Number	Revision Number	Date
6MI-40X	497-1212-00	1	11.01.2011
6MM-30X	497-1210-00	1	11.01.2011

Discharge Valve  
 OUT Diameter Ø38.00  
 IN Diameter Ø34.93

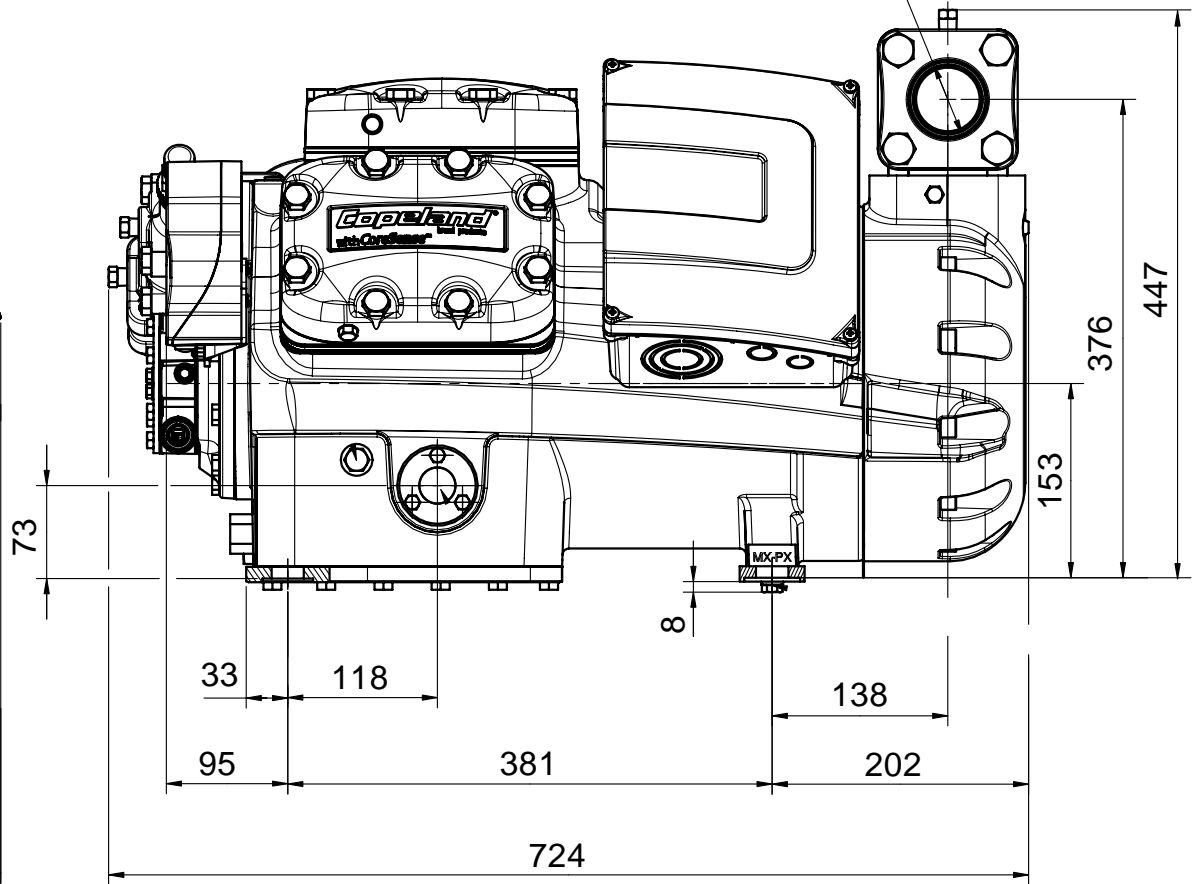
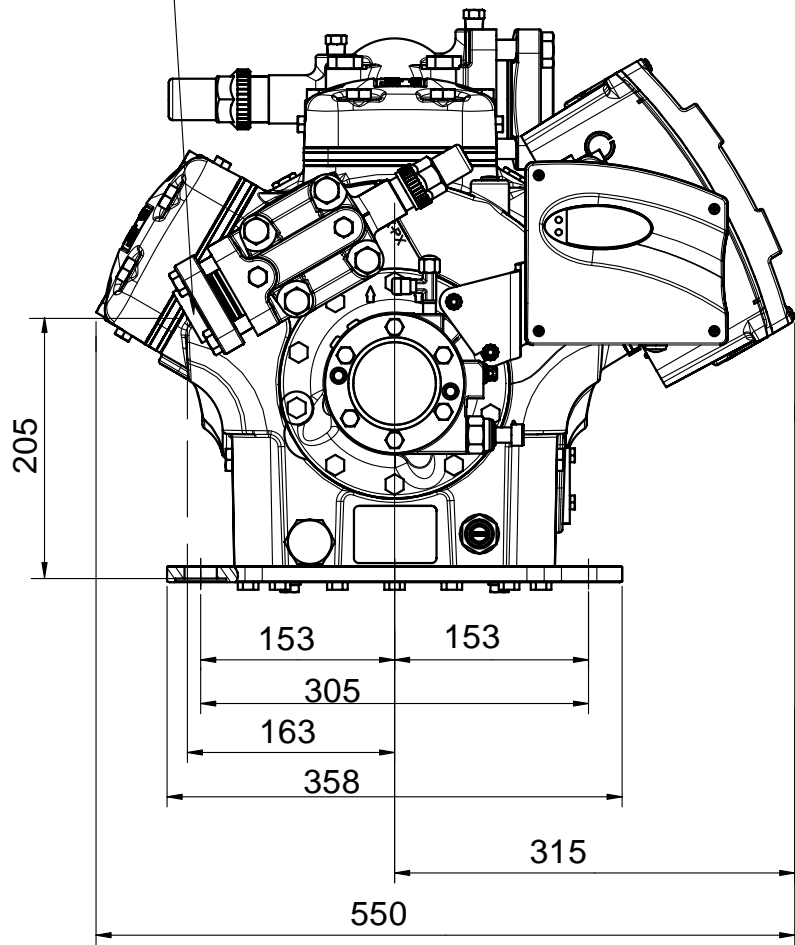
Suction Valve  
 OUT Diameter Ø60.00  
 IN Diameter Ø54.17



Model	Drawing Number	Revision Number	Date
6MJ-45X	497-1213-00	0	19.03.2010
6MT-35X	497-1211-00	0	19.03.2010

Discharge Valve  
 OUT Diameter Ø46.00  
 IN Diameter Ø42.20

Suction Valve  
 OUT Diameter Ø60.00  
 IN Diameter Ø54.17



Model	Drawing Number	Revision Number	Date
6MK-50X	497-1215-00	0	19.03.2010
6MU-40X	497-1214-00	0	19.03.2010

Discharge Valve  
 OUT Diameter Ø46.00  
 IN Diameter Ø42.00

Suction Valve  
 OUT Diameter Ø73.50  
 IN Diameter Ø66.77

