

High Efficiency Centrifugal Oil Separator

Oil Controls

The High Efficiency Centrifugal Oil Separator is used in ultra-low temperature systems with long refrigerant lines or inherent oil return problems. It is also used on multiple compressor racks for supermarkets and air conditioning systems for use with CFCs, HCFCs, HFCs, and their lubricants. Suitable for use with R-410A.



Features

- Internal oil collection screen
- Hermetic welded or accessible bolted flange construction
- Corrosion resistant epoxy powder paint
- High efficiency (99%) centrifugal separation
- R-410A pressure rated

Specifications

- Maximum working pressure: 450 psi - flanged models*
600 psi - welded models*
- UL/CUL file number: SA8547

Nomenclature example: A-FC 8241717H

A	F	C	8	24	17	17	H
Series	F = Flanged W = Welded	Centrifugal	Diameter (in)	Length (in)	Inlet Connection in 1/8"	Outlet Connection in 1/8"	5" Legs Standard H = 10" Legs

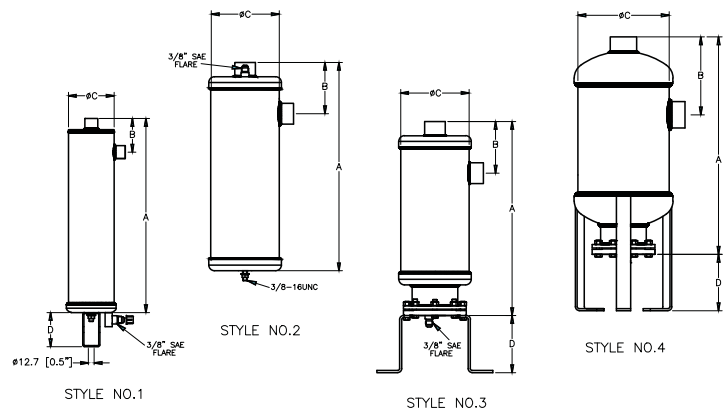
Replacement Parts

PCN	Part	Contains
065847	Float Assembly Kit*	Flange w/intergral float ass'y and flange gasket
065849	Gasket Kit	Flange gasket

*Repairs AC & R series S1900 Standard and 5200 Helical Oil Separators

Ordering Information

PCN	Description	Solder Connection Size	Dimensions			
			A	B	C	D
065895*	A-WC 41777	7/8	17.01	2.95	4.00	2.95
065896*	A-WC 41999	1 1/8	19.02	3.07		
066094*	A-WC 6181111	1 3/8	18.26	4.05	6.0	
066095*	A-WC 6181313	1 5/8		4.63		
066096*	A-WC 6181717	2 1/8	18.38	4.76		
065930	A-FC 6221111	1 3/8	17.00	3.94	6.0	5.00
065931	A-FC 6221111H					10.00
065362	A-FC 6221313	1 5/8	17.00	4.53	6.0	5.00
065932	A-FC 6221313H					10.00
065933	A-FC 6221717	2 1/8	17.13	4.65	6.0	5.00
065934	A-FC 6221717H					10.00
065276	A-FC 8241717	2 1/8	19.06	6.83	8.0	5.00
065935	A-FC 8241717H					10.00
065936	A-FC 10272121	2 5/8	22.10	6.11	10.00	5.00
065937	A-FC 10272121H					10.00
065938	A-FC 12302525H	3 1/8	25.10	7.05	12.00	10.00



Capacity Table

Description	Solder Connection Size (ODF)	Syle Number	Shell O.D.	Maximum Capacity of Refrigeration at Evaporator Temperature												Oil Pre-Charge Amount (oz.)	Replaceable Float PCN				
				R-134a				R-22/407C				R-404A/507						R-410A			
				-40F		+40F		-40F		+40F		-40F		+40F				-40F		+40F	
				Tons	kW	Tons	kW	Tons	kW	Tons	kW	Tons	kW	Tons	kW			Tons	kW	Tons	kW
A-WC 41777	7/8"	1	4"	4.5	16	5.6	19	7.1	25	8	28	6.3	22	8.3	29	11	38	12	43	14	N/A
A-WC 41999	1 1/8"			5.3	19	6.5	23	8.3	29	9.4	33	7.4	26	9.7	34	13	45	14	50		
A-WC 6181111	1 3/8"	2	6"	8.5	30	10	37	13	46	15	53	12	41	16	54	20	71	23	80	25	065847
A-WC 6181313	1 5/8"			12	42	15	51	19	65	21	74	16	58	22	76	28	100	32	112		
A-WC 6181717	2 1/8"			14	48	17	58	21	74	24	84	19	66	25	87	32	114	37	129		
A-FC 6221111	1 3/8"	3	6"	12	42	15	51	19	65	21	74	16	58	22	76	Not Available				25	065847
A-FC 6221111H																					
A-FC 6221313	1 5/8"	3	6"	14	48	17	58	21	74	24	84	19	66	25	87	Not Available				25	065847
A-FC 6221313H																					
A-FC 6221717	2 1/8"	3	6"	14	50	17	61	22	77	25	88	20	69	26	91	Not Available				25	065847
A-FC 6221717H																					
A-FC 8241717	2 1/8"	4	8"	23	80	28	97	35	124	40	140	31	110	41	145	Not Available				25	065847
A-FC 8241717H																					
A-FC 10272121	2 5/8"	4	10"	45	159	56	195	71	248	80	280	63	220	83	290	Not Available				25	065847
A-FC 10272121H																					
A-FC 12302525H	3 1/8"		12"	72	253	88	309	112	393	127	445	100	349	131	460	Not Available				25	065847

A-W & A-F Oil Separators

The A-W and A-F are used for multiple compressor racks in supermarkets and air conditioning systems for use with HCFCs, HFCs and their lubricants.

Features

- Hermetic welded or accessible bolted flange construction
- Solid copper connections
- Corrosion resistant epoxy powder paint



Nomenclature example: AW 5582 4

A	W	5582	4
Series	W = Welded F = Flanged	Model Number	Connection Size (in 1/8")

Specifications

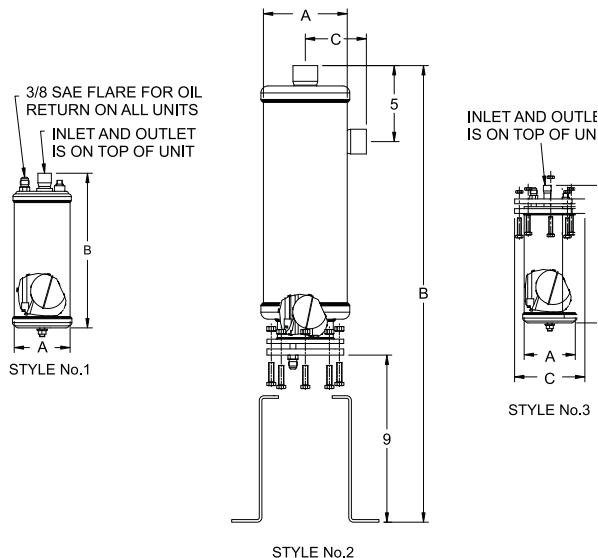
- Maximum working pressure: 450 psi
- UL/CUL file number: SA10468

Ordering Information* and Capacity Table

Description				R-12				R-22/R-407C				R-502				R-134a				R-404A/R-507			
FLANGED	PCN	SEALED	PCN	-40 F/C		40F (4C)		-40F/C		40F (4C)		-40F/C		40F (4C)		-40F/C		40F (4C)		-40F/C		40F (4C)	
				Tons	kW	Tons	kW	Tons	kW	Tons	kW	Tons	kW	Tons	kW	Tons	kW	Tons	kW	Tons	kW	Tons	kW
A-F 58824	060877	A-W 55824	060933	1	3.5	1.5	5.3	1.5	5.3	2	7.1	1.5	5.3	2	7.08	1	3.5	1.8	6.2	1.5	5.3	2	7.0
A-F 58855	060878	A-W 55855	060934	3	10.6	4	14.2	4.5	15.9	5.5	19.5	4.8	16.8	5.8	20.4	3.3	11.5	4.5	15.9	4	14.2	5.5	19.0
A-F 58877	060879	A-W 55877	060931	4.5	15.9	5.5	19.5	7	24.8	8	28.3	7.5	26.6	8.5	30.1	4.8	16.8	6.5	23	6.5	23	8.5	30.0
A-F 58889	060759	A-W 55889	060974	6	21.2	7.5	26.6	9	31.9	11	37.2	9.5	33.6	11.5	40.7	6.5	23	8.5	30.1	8.5	30.1	11	38.0
A-F 589011	060760	A-W 559011	060930	7.5	26.6	10	35.4	11.5	40.7	14	47.8	12	42.5	14.5	51.3	8	28.3	11.5	40.7	10.5	37.2	14	49.0
A-F 589213	060761	A-W 559213	060975	9	31.9	11.5	40.7	14	49.6	18	62	16	56.6	17.5	62	9.5	33.6	13.3	46.9	14	49.6	17	60.0
-	-	A-W 569011	060978	9	31.7	12	42.3	13	45.8	14	49.8	15	52.8	20	70.4	9.5	33.4	13.7	48.2	11	38.7	19	66.9
A-F 579213	060875	A-W 569213	060979	11	38.9	14	49.6	16	56.6	18	63.7	20	70.8	24	85	11.8	41.6	16	56.6	17.5	62	23	81
A-F 579417	060876	A-W 569417	060980	17	60.2	22	77.9	25	88.5	30	106	30	106	35	124	18	63.7	25.6	89.4	26	92.	34	121

*See replacement parts page. Repair kits for style 2 only.

Dimensional Data



Seal Units: A-W

Description	Style No.	Connection Size	Dimensions (in)		Replaceable Float PCN	Oil Pre-charge Amount (0%)
			A	B		
A-W 55824	1	1/2 ODF	4.0	10.75	N/A	17
A-W 55855		5/8 ODF		13.2		
A-W 55877		7/8 ODF		15.0		
A-W 55889		1-1/8 ODF		16.25		
A-W 559011		1-3/8 ODF		19.5		
A-W 559213		1-5/8 ODF		19.88		
A-W 569011		1-3/8 ODF		15.75		
A-W 569213	6.0	1-5/8 ODF	19.0	N/A	20	
A-W 569417		2-1/8 ODF	19.5			

Flanged Units: A-F

Description	Style No.	Connection Size	Dimensions (in)			Replaceable Float PCN	Oil Pre-charge Amount (0%)
			A	B	C		
A-F 58824	3	1/2 ODF	4.0	10.5	5.5	N/A	17
A-F 58855		5/8 ODF		15.0			
A-F 58877		7/8 ODF		18.0			
A-F 58889		1 1/8 ODF		21.25			
A-F 589011		1 3/8 ODF		21.37			
A-F 589213		1 5/8 ODF		21.75			
A-F 579213	2	1 5/8 ODF	6.0	20.12	4.37	065847	20
A-F 579417		2 1/8 ODF	20.31	4.63			

A-WZ Oil Separators

The A-WZ is used for multiple compressor racks in supermarkets and air conditioning systems for use with HCFCs, HFCs and their lubricants. Suitable for use with R-410A.

R-410A



Features

- Hermetic welded construction
- Nickel plated steel connections
- Corrosion resistant epoxy powder paint

Specifications

- Maximum working pressure: 600 psi
- UL/CUL file number: SA8547
- CE marked per PED 97/23EC

Nomenclature example: A-WZ 55824

A	WZ	5582	4
Series	W = Welded	Model Number	Connection Size (in 1/8")

Ordering Information and Capacity Table

PCN	Description	Solder Connection Size (ODF) (in.) A	Shell OD (in.) B	Length (in.)	Maximum Capacity of Refrigeration at Evaporator Temperature																Oil Pre-charge Amount (oz.)
					R-134a				R-22/R-407C				R-404A/R-507				R-410A				
					-40F/C		40F (4C)		-40F/C		40F (4C)		-40F/C		40F (4C)		-40F		+40F		
					Tons	kW	Tons	kW	Tons	kW	Tons	kW	Tons	kW	Tons	kW	Tons	kW			
066135	A-WZ 55824	1/2	4	10.88	1	3.5	1.8	6.2	1.5	5.3	2	7.1	1.5	5.3	2	7.0	2.7	9	3.1	11	17
066136	A-WZ 55855	5/8		13.31	3.3	11.5	4.5	15.9	4.5	15.9	5.5	19.5	4	14.2	5.5	19.0	7.4	26	8.4	29	
066137	A-WZ 55877	7/8		15.13	4.8	16.8	6.5	23	7	24.8	8	28.3	6.5	23	8.5	30.0	11	38	12	43	
066138	A-WZ 55889	1 1/8		16.38	6.5	23	8.5	30.1	9	31.9	11	37.2	8.5	30.1	11	38.0	15	52	17	59	
066139	A-WZ 559011	1 3/8		19.63	8	28.3	11.5	40.7	11.5	40.7	14	47.8	10.5	37.2	14	49.0	19	66	21	75	
066140	A-WZ 56909	1 1/8	6	15.50	9.5	33.6	13.3	46.9	14	49.6	18	62	14	49.6	17	60.0	18	62	20	70	20
066141	A-WZ 569011	1 3/8		15.75	9.5	33.4	13.7	48.2	13	45.8	14	49.8	11	38.7	19	66.9	19	66	21	75	
066142	A-WZ 56929	1 1/8		18.50	11.8	41.6	16	56.6	16	56.6	18	63.7	17.5	62	23	81	18	64	21	72	
066143	A-WZ 569213	1 5/8		18.50	18	63.7	25.6	89.4	25	88.5	30	106	26	92	34	121	24	85	28	96	

Dimensional Data

