



Home Security Solution

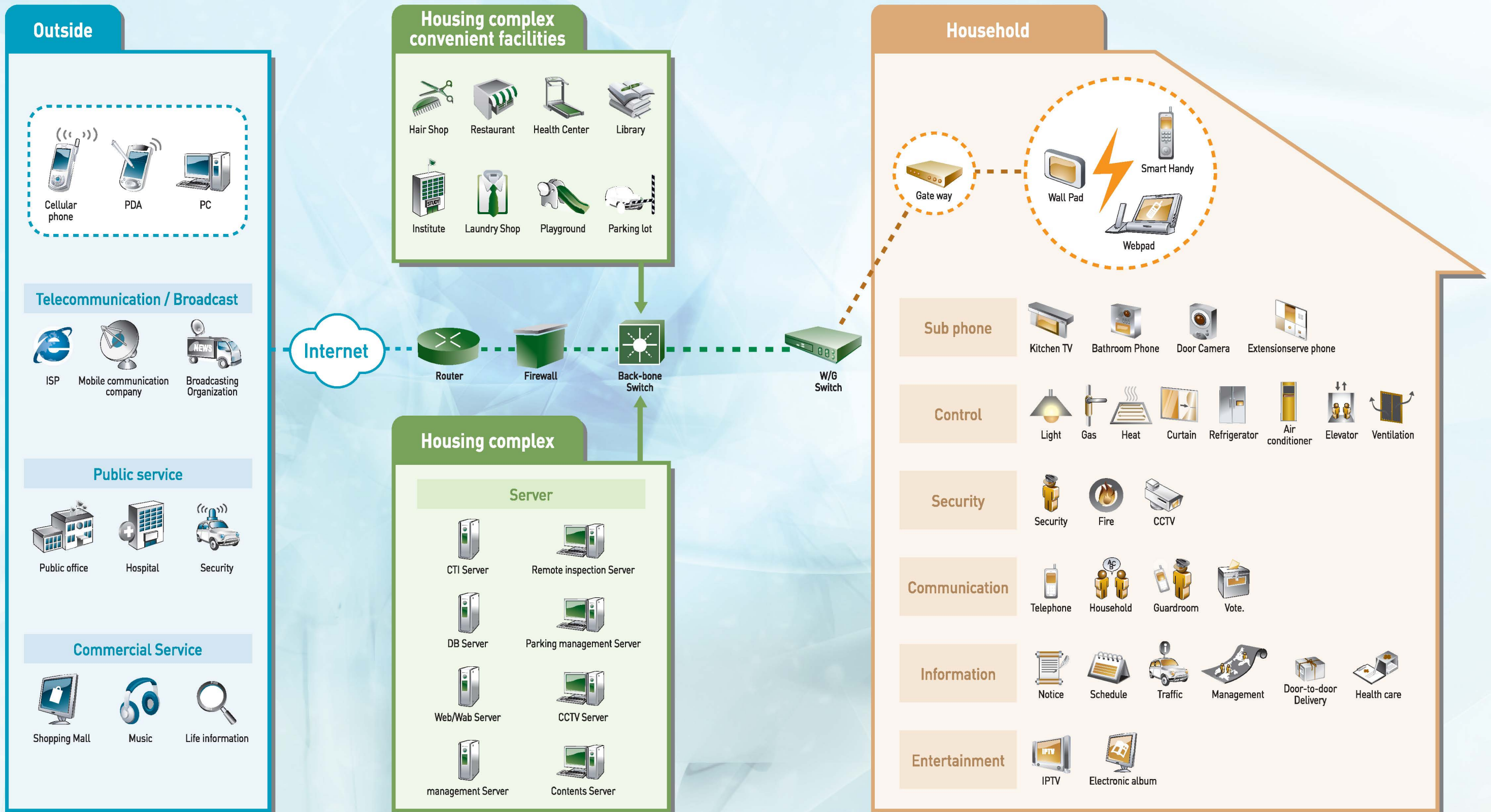
# Home Network

Home Network system made for future household culture!  
Home Network system connects all electronic products including home auto units, major appliances, home security devices in household to enable easy transfer of information inside and outside household.





# Home Network System Configuration



# HNT-3100

10" Wall-Pad



## Function

### Video / Audio Communication

- Speech & Video Telephony
- Visitors checked on absence
- Voice / written memo
- Operable with total remote controller

### Information

- Information on in-complex stores
- Car arrival / notification
- Parking location
- Morning call

### Security Function

- Intrusion, fire, gas detection, alarm
- Private / Public monitoring service

### Convenience

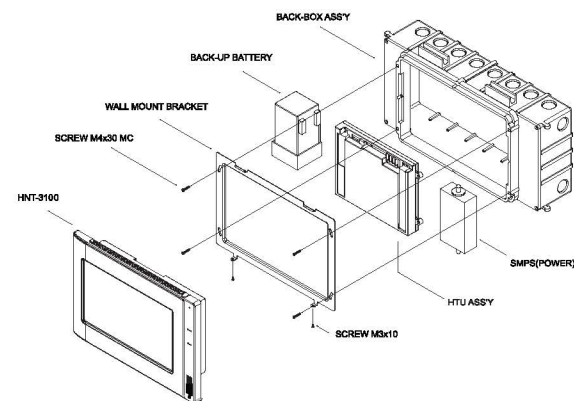
- Bulk blackout (light off)
- Control of light / Gas valve / Air-condition / Laundry machine and other electronics
- Control of modes
- Interoperable with elevator calls

\* The above-mentioned functions include some options.

## Specification

Material	ABS resin
LCD	10" TFT-LCD COLOR
Operation	Pressure resistance type
Power	AC100~240V, 50/60Hz
Appearance	310W × 215H × 17D (mm)
Weight	Approx. 1.6kg
How to Install	Embedment type (combination type)
Power Consumption	Max. 22W
Wiring type	TCP / IP, 10-lines BUS type
Device Control	RS-485
Video save	Still : 32cuts, Video : 5cuts, Voice : 5
Temperature	0℃ ~ 40℃
Humidity	Lower than 90%
Video Input Signal Voltage	1Vp-p / 75 Ω
Color	Wine, Black, White

## Mounting



# HNT-3070

7" Wall-Pad



## Function

### Video / Audio Communication

- Speech & Video Telephony
- Visitors checked on absence
- Voice / written memo
- Operable with total remote controller

### Information

- Information on in-complex stores
- Car arrival / notification
- Parking location
- Morning call

### Security Function

- Intrusion, fire, gas detection, alarm
- Private / Public monitoring service

### Convenience

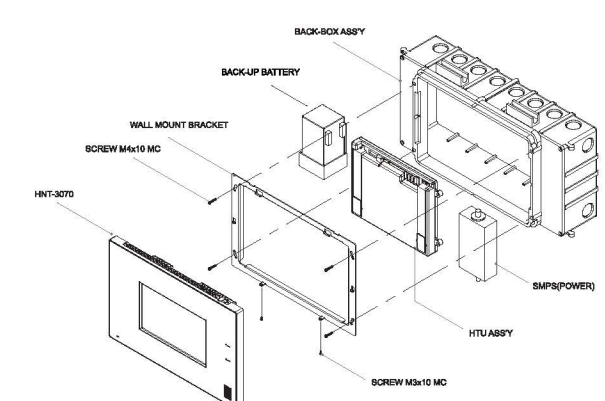
- Bulk blackout (light off)
- Control of light / Gas valve / Air-condition / Laundry machine and other electronics
- Control of modes
- Interoperable with elevator calls

\* The above-mentioned functions include some options.

## Specification

Material	ABS resin
LCD	7" TFT-LCD COLOR
Operation	Pressure resistance type
Power	AC100~240V, 50/60Hz
Appearance	303W × 200H × 16D (mm)
Weight	Approx. 1.2kg
How to Install	Embedment type (combination type)
Power Consumption	Max. 20W
Wiring type	TCP / IP, 10-lines BUS type
Device Control	RS-485
Video save	Still : 32cuts, Video : 5cuts, Voice : 5
Temperature	0℃ ~ 40℃
Humidity	Lower than 90%
Video Input Signal Voltage	1Vp-p / 75 Ω
Color	Wine, Black, White

## Mounting





# HNT-2100

10" Wall-Pad



# HNT-2070

7" Wall-Pad



### Function

#### Video / Audio Communication

- Speech & Video Telephony
- Visitors checked on absence
- Voice / written memo
- Operable with total remote controller

#### Information

- Information on in-complex stores
- Car arrival / notification
- Parking location
- Morning call

#### Security Function

- Intrusion, fire, gas detection, alarm
- Private / Public monitoring service

#### Convenience

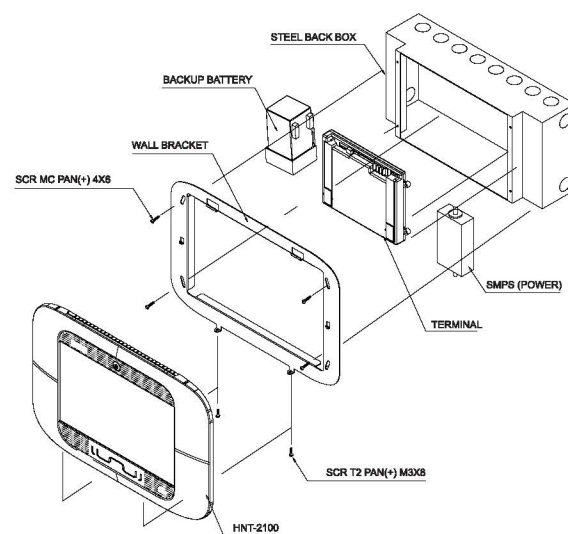
- Bulk blackout (light off)
- Control of light / Gas valve / Air-condition / Laundry machine and other electronics
- Control of modes
- Interoperable with elevator calls

\* The above-mentioned functions include some options.

### Specification

Material	ABS resin
LCD	10" TFT-LCD COLOR
Operation	Pressure resistance type
Power	AC100-240V, 50/60Hz
Appearance	340W x 228H x 16D (mm)
Weight	Approx. 1.6kg
How to Install	Embedment type (combination type)
Power Consumption	Max. 22W
Wiring type	TCP / IP, 10-lines BUS type
Device Control	RS-485
Video save	Still : 32cuts, Video : 5cuts, Voice : 5
Temperature	0°C ~ 40°C
Humidity	Lower than 90%
Video Input Signal Voltage	1Vp-p / 75 Ω
Color	Titanium silver, Lyric beige, champagne gold

### Mounting



### Function

#### Video / Audio Communication

- Speech & Video Telephony
- Visitors checked on absence
- Voice / written memo
- Operable with total remote controller

#### Information

- Information on in-complex stores
- Car arrival notification
- Parking location
- Morning call

#### Security Function

- Intrusion, fire, gas detection, alarm
- Private / Public monitoring service

#### Convenience

- Bulk blackout (light off)
- Control of light / Gas valve / Air-condition / Laundry machine and other electronics
- Control of modes
- Interoperable with elevator calls

\* The above-mentioned functions include some options.

### Specification

Material	ABS resin
LCD	7" TFT-LCD COLOR
Operation	Pressure resistance type
Power	AC100-240V, 50/60Hz
Appearance	300W x 200H x 16D (mm)
Weight	Approx. 1.2kg
How to Install	Embedment type (combination type)
Power Consumption	Max. 20W
Wiring type	TCP / IP, 10-lines BUS type
Device Control	RS-485
Video save	Still : 32cuts, Video : 5cuts, Voice : 5
Temperature	0°C ~ 40°C
Humidity	Lower than 90%
Video Input Signal Voltage	1Vp-p / 75 Ω
Color	Purple silver, White

### Mounting

