



Home Security Solution

Video Doorphone

From vivid picture quality to easy installation!

The vivid and clear picture quality enable easy visitors verification and easy installation delivers convenient usage.



Home Security Solution

Monitor

HAC-350 (Color)
3.5" Color TFT LCD



Function

Communication

- Duplex Communication

Connection

- 2 Cameras to 2 monitors

Others

- Door release function

Compatible Appliances

- Door striker
(Max. 12VDC/5A or 120VAC/5A)

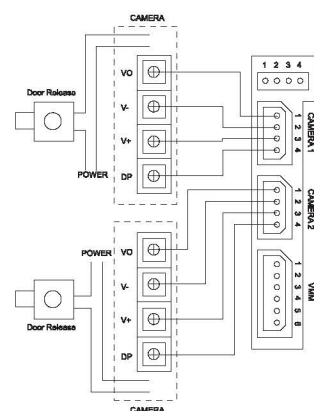
Image memory compatible (optional)

- Max. 60cuts (color)

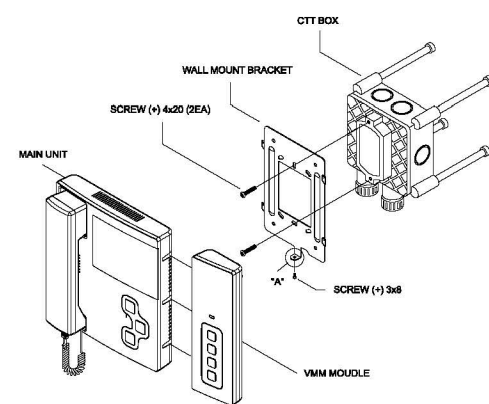
Specification

Power of use	100 - 240VAC, 50/60Hz
Power consumption	Max. 9W, Stand-By 4W
Dimension of display (monitor)	LCD 3.5" TFT-LCD COLOR
	Image input 1Vp-p/75A Ω, Composite PAL/NTSC
Resolution	960W × 240H Dots
Maximum Wiring Distance	50m/165feet (22AWG/0.65mm, 20AWG/0.8MM, 4wires)
Audio Communication	Handset
Environment of use	Temperature 0°C ~ 50°C / 32°F ~ 122°F
	Humidity Lower than 90% (Relative humidity)
	Dimension 171W × 192H × 60D (mm)
Weight	Approx. 0.73kg
How to Install	Wall Mount Type
Available Door cameras	HCC-300, HCC-500, HCC-600E, HCC-700Series
Color	White

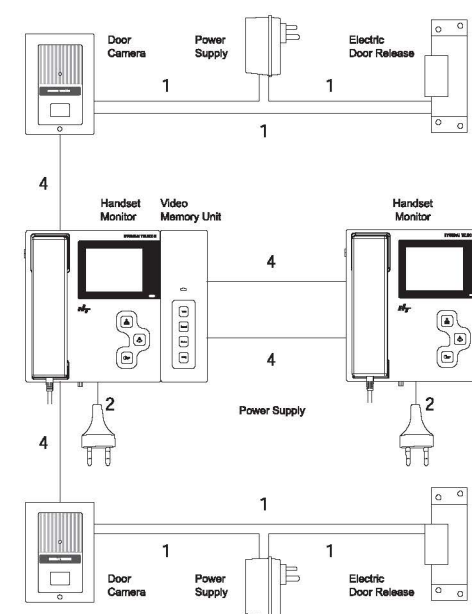
Wiring Diagram



Mounting



System Configuration



Monitor

HAC-307N (Color)
7" Color TFT LCD

Function

Convenience

- Hand free type

Security

- Gas, Magnetic, alarm (Up to 3 sensors)
- Emergency Button
- Save Visitors images on absence (optional)

Communication

- Intercom between monitors

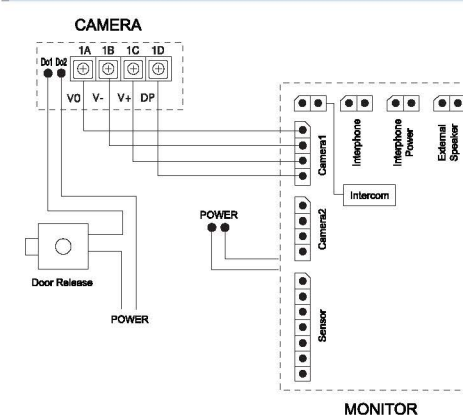
Compatible Appliances

- Max. 2 cameras + 3 additional Monitors or 3 Audio handsets connection

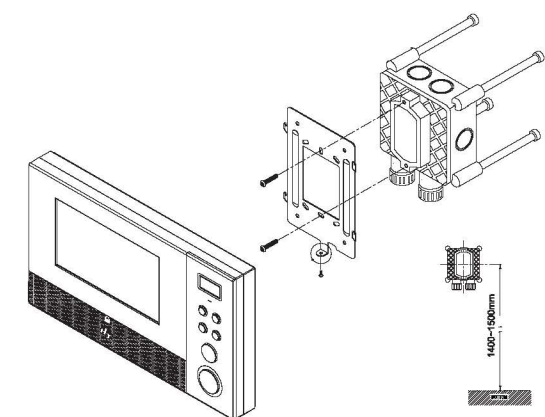
Specification

Power of use	100-240VAC, 50/60Hz
Power consumption	Max. 25W
Dimension of display (monitor)	LCD 7" TFT-LCD COLOR
	Image input 1Vp-p/75A Ω, Composite PAL/NTSC
Resolution	1,440W × 234H Dots
View angle	Up 40°, Down 65°, Left 65°, Right 65°
Maximum Wiring Distance	50m/165feet (22AWG/0.65mm, 20AWG/0.8mm)
Audio Communication	Hands Free
Environment of use	Temperature 0°C ~ 40°C
	Humidity Lower than 90% (Relative humidity)
	Dimension 305W × 234H × 34D (mm)
Weight	Approx. 2.0kg
How to Install	Wall Mount Type
Available Door cameras	HCC-300, HCC-500, HCC-600E, HCC-700Series
Color	Silver

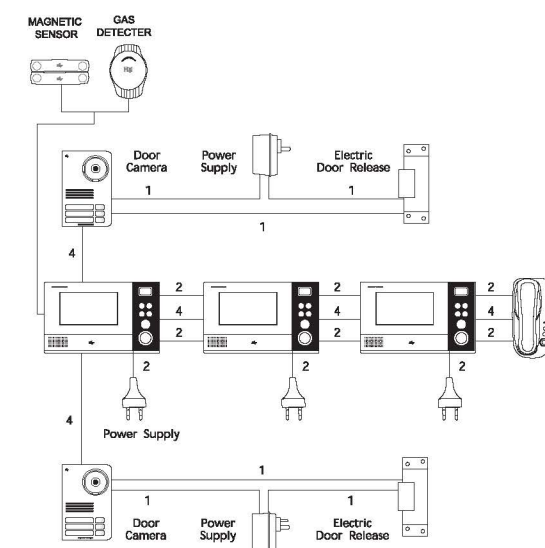
Wiring Diagram



Mounting



System Configuration



Monitor

HA-200 (B/W) **HAC-200** (Color)



Function

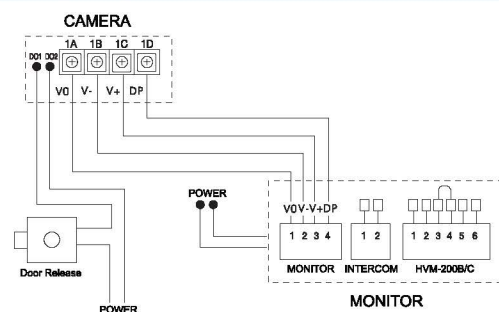
- Communication**
 · Duplex Communication
- Connection**
 · 1 Camera to 4 monitors
- Others**
 · Door release function

- Compatible Appliances**
 · Door striker (DC 12V, 0.5A)
- Image memory compatible**
 · Max. 60cuts (color)

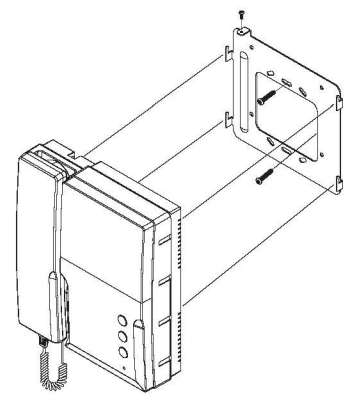
Specification

Power	AC 90 ~ 240V, 50/60Hz
Power Consumption	15W (B/W), 13W (Color)
Dimension	188W x 208H x 62D (mm)
Wiring	Camera to Monitor : 4 wires / TIV 0.65mm, 50m
Operating Temperature	0°C ~ 50°C / 32°F ~ 122°F
Weight	0.9kg / 1.98 lbs (Color) 1.2kg / 2.64 lbs (B/W)
Installation	Wall mount type
Available Door Camera	HCC-300, HCC-500, HCC-600E, HCC-700 (Color) HCB-300, HCB-500, HCB-600E, HCB-700 (B/W)
Color	White

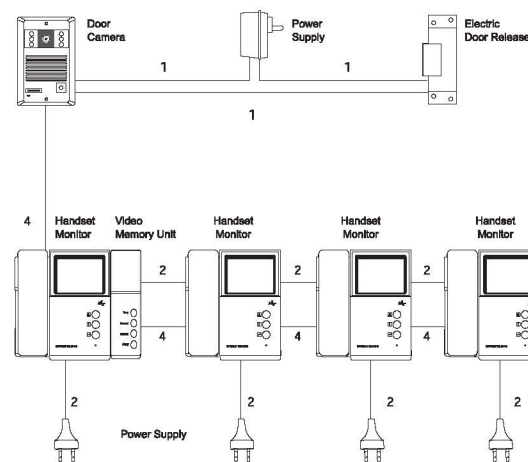
Wiring Diagram



Mounting



System Configuration



Monitor

HA-201 (B/W) **HAC-201** (Color)



Function

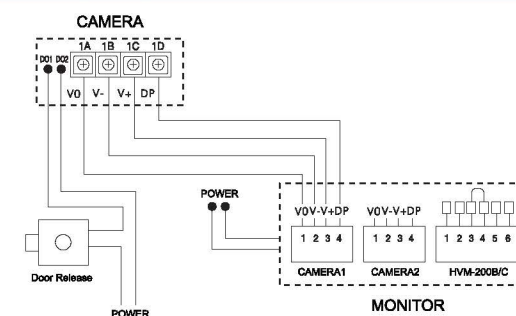
- Communication**
 · Duplex Communication
- Others**
 · Door release function
- Compatible Appliances**
 · Door striker (DC 12V, 0.5A)

- Connection**
 · 2 Cameras to 2 monitors
- Image memory compatible**
 · Max. 60cuts (color)

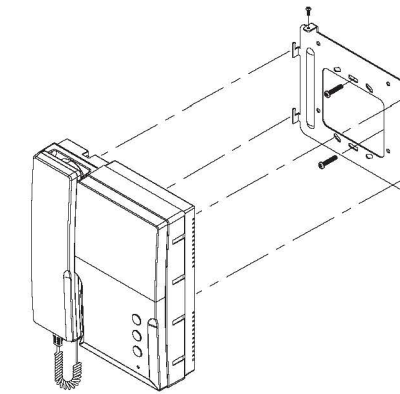
Specification

Power	AC 90 ~ 240V, 50/60Hz
Power Consumption	15W (B/W), 13W (Color)
Dimension	193W x 215H x 62D (mm)
Wiring	Camera to Monitor : 4 wires / TIV 0.65mm, 50m
Operating Temperature	0°C ~ 50°C / 32°F ~ 122°F
Weight	0.9kg / 1.98 lbs (Color) 1.2kg / 2.64 lbs (B/W)
Installation	Wall mount type
Available Door Camera	HCC-300, HCC-500, HCC-600E, HCC-700 (Color) HCB-300, HCB-500, HCB-600E, HCB-700 (B/W)
Color	White

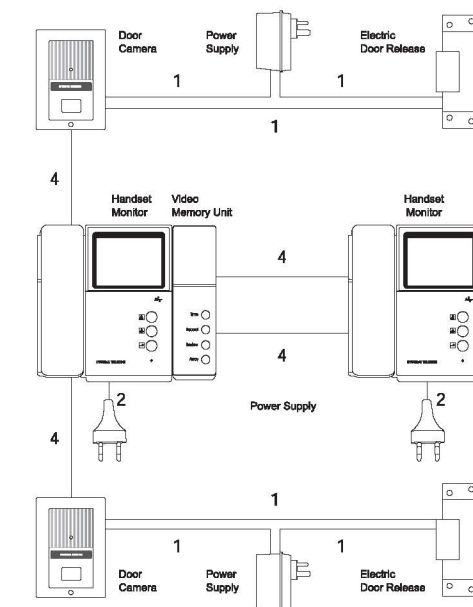
Wiring Diagram



Mounting



System Configuration



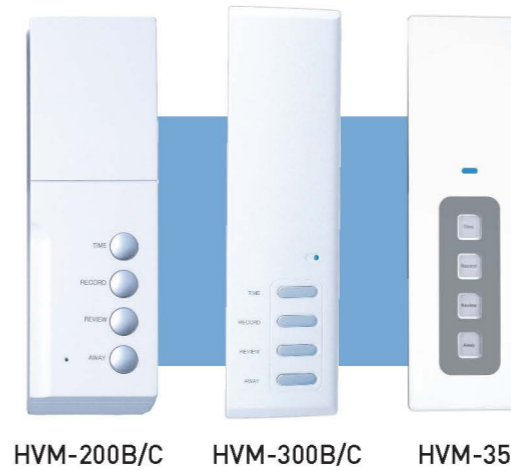
Monitor

HA-300 (B/W) **HAC-300** (Color)



Image Memory

HVM-200B/C, HVM-300B/C
HVM-350



▪ **HVM-200B/C**

Specification		
Power	B/W	Max. 3W [supplied power from monitor]
Consumption	Color	Max. 3W [supplied power from monitor]
Resolution	B/W	256 × 240 [EIA], 256 × 256 [CCIR]
	Color	360 × 240 [NTSC], 360 × 288 [PAL]
Image Memory	B/W	Max. 64pics
	Color	Max. 60pics
Size	Dimension	70W × 208H × 60D (mm)
	Weight	Approx. 0.25kg / 0.55lbs
Installation	Compatible with HA-200/201, HAC-200/201	
Color	White	

▪ **HVM-300B/C**

Specification		
Power	B/W	Max. 3W [supplied power from monitor]
Consumption	Color	Max. 3W [supplied power from monitor]
Resolution	B/W	256 × 240 [EIA], 256 × 256 [CCIR]
	Color	360 × 240 [NTSC], 360 × 288 [PAL]
Image Memory	B/W	Max. 64pics
	Color	Max. 60pics
Size	Dimension	61.1W × 210H × 53.9D (mm)
	Weight	Approx. 0.23kg / 0.51lbs
Installation	Compatible with HA-300/HAC-300	
Color	White	

▪ **HVM-350**

Specification		
Power Consumption	Color	Max. 3W [supplied power from monitor]
Resolution	Color	720 × 480 [NTSC], 720 × 576 [PAL]
Image Memory	Color	Max. 60pics
Size	Dimension	61W × 192H × 31D (mm)
	Weight	Approx. 0.18kg
Installation	Compatible with HAC-350	
Color	White	

Function

Communication

- Duplex Communication

Connection

- 2 Cameras to 4 monitors

Others

- Door release function

Compatible Appliances

- Door striker [DC 12V, 0.5A]

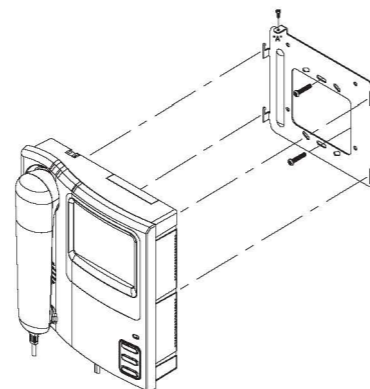
Image memory compatible

- Max. 60cuts [color]

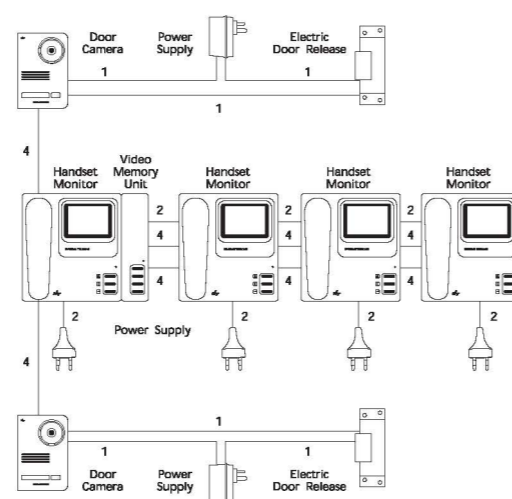
Specification

Power	DC12V, 1.5A or 90~240V, 50 / 60Hz (SMPS)
Power Consumption	15W [B/W], 13W [Color]
Dimension	198W × 211H × 57D (mm)
Wiring	Camera to Monitor : 4 wires / TIV 0.65mm, 50m
Operating Temperature	0°C ~ 50°C / 32°F ~ 122°F
Weight	1.06kg / 2.34 lbs [Color] 1.3kg / 2.86 lbs [B/W]
Installation	Wall mount type
Available Door Camera	HCC-300, HCC-500, HCC-600E, HCC-700 [Color] HCB-300, HCB-500, HCB-600E, HCB-700 [B/W]
Color	White

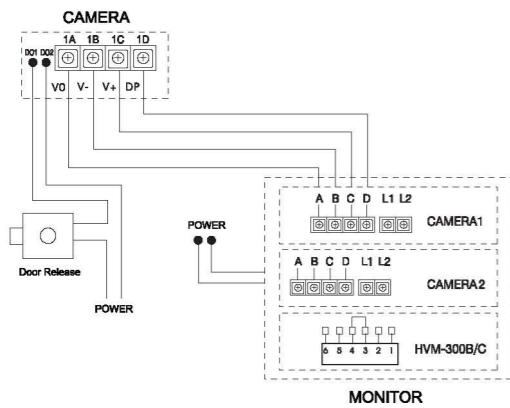
Mounting



System Configuration



Wiring Diagram



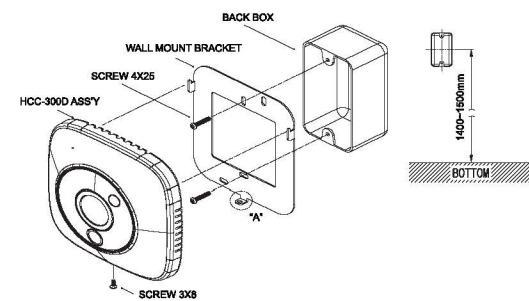
Door Camera

HCC-300D
[Color]



Specification	
Power	DC 12V (Provided with MAIN UNIT)
Video Output	1Vp-p / 75 Ω , Composite NTSC type (Color)
Min. illumination	1.5 Lux
Installation	Flush Mount Type
Operating Temperature	-10°C ~ 40°C
Humidity	Within 90% (Relative humidity)
Power Consumption	Max. 2W
Dimension	138W x 138H x 25.4D (mm)
Weight	Approx. 0.22kg
Available (H/A)	HAC-307H
Color	Navy, Silver

Mounting



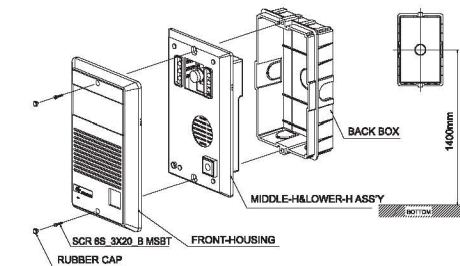
HCB-300 (B/W)
HCC-300N (Color, LED)

HCC-300 (Color)
HCC-C300 (CMOS)



Specification	
Power Source	From Video Monitor, DC12V
Video Output	1Vp-p / 75 Ω , Composite (EIA / CCIR, NTSC / PAL)
Min. illumination	1Lux (color), 0.1Lux (B/W)
Camera Angle	Up/Down, Left/Right side adjustable
Installation	Flush Mount Type
Operating Temperature	-10°C ~ 50°C
Humidity	Within 90% (Relative humidity)
Power Consumption	Max. 2W
Dimension	120W x 184H x 16D (mm)
Weight	Approx. 500g
Available VDP (H/A)	HA(C)-200, 201, 300 / HAC-T170 / HAC-307N
Color	Black

Mounting



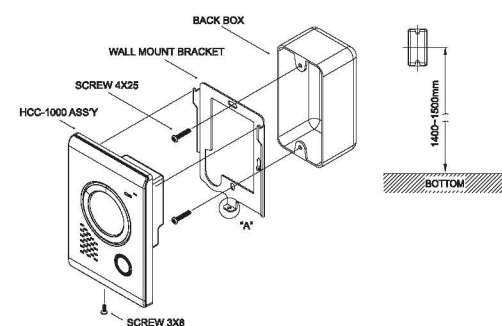
Door Camera

HCC-1000
[Color]



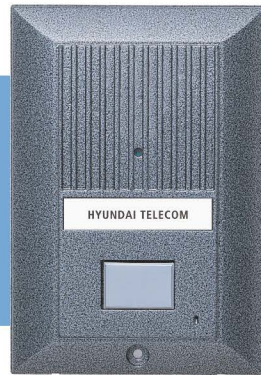
Specification	
Power Source	From Video Monitor, DC12V
Video Output	1Vp-p / 75 Ω , Composite (NTSC / PAL)
Min. illumination	3Lux (LED x 3EA)
Installation	Flush Mount Type
Operating Temperature	-10°C ~ 40°C
Humidity	Within 90% (Relative humidity)
Power Consumption	Max. 2W
Dimension	91W x 133H x 10D (mm)
Weight	Approx. 300g
Available (H/A)	HAC-307H
Color	Silver

Mounting



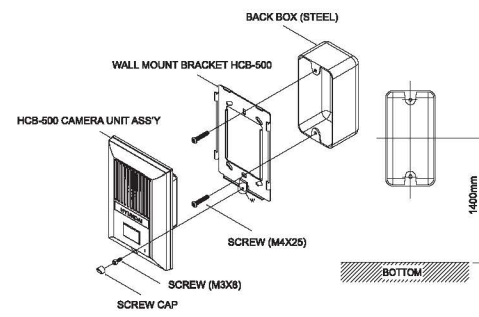
Door Camera

HCB-500 (B/W) **HCC-500** (Color)
HCC-C500 (CMOS)



Specification	
Power Source	From Video Monitor, DC12V
Video Output	1Vp-p / 75 Ω, Composite (EIA / CCIR, NTSC / PAL)
Min. illumination	1Lux (color), 0.1Lux (B/W)
Camera Angle	Fixed
Installation	Flush Mount Type
Operating Temperature	-10°C ~ 50°C
Humidity	Within 90% (Relative humidity)
Power Consumption	Max. 2W
Dimension	91.5W × 132.5H × 18D (mm)
Weight	Approx. 200g
Available VDP (H/A)	HA(C)-200, 201, 300 / HAC-T170 / HAC-307N
Color	Black

Mounting



Door Camera

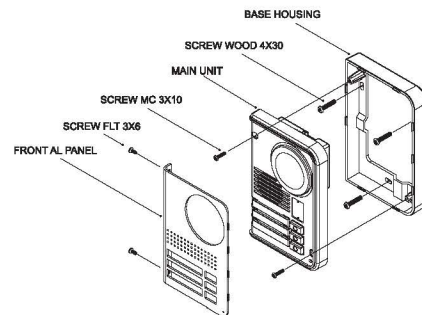
HCB-701 / 702 / 703 (B/W)
HCC-701 / 702 / 703 (Color)
HCC-C701 / C702 / C703 (CMOS)



HCB/C-(c)701 HCB/C-(c)702 HCB/C-(c)703

Specification	
Power Source	From Video Monitor, DC12V
Video Output	1Vp-p / 75 Ω, Composite (EIA / CCIR, NTSC / PAL)
Min. illumination	1Lux (color), 0.1Lux (B/W)
Camera Angle	Up/Down side adjustable
Installation	Flush Mount or Wall mount type
Operating Temperature	-10°C ~ 50°C
Humidity	Within 90% (Relative humidity)
Power Consumption	Max. 2W
Dimension	110W × 152H × 45D (mm)
Weight	Approx. 350g
Available VDP (H/A)	HA(C)-200, 201, 300 / HAC-T170 / HAC-307N
Color	Silver

Mounting



HCB/C-(C)600 HEP-600 Series

Multi Door Camera

HCB-602E/604E/606E/608E (B/W)
HCC-602E/604E/606E/608E/602EN/604EN/606EN/608EN (Color, LED)
HCC-C602/C604/C606/C608 (CMOS)
HEP-608E/616E/624E

Function

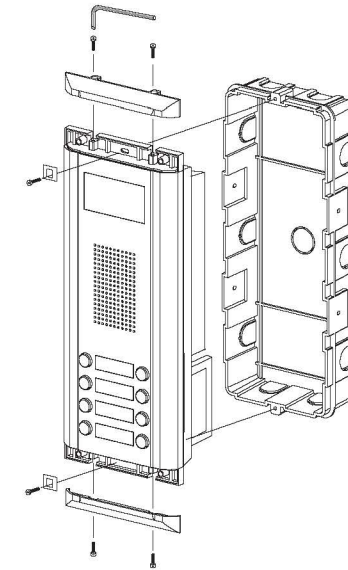
- High definition 1/3" Color & B/W CCD Camera
- Main panel covers up to Max. 8 residents
- 24 residents expander panel compatible (Max. 32 residents)
- Aluminum cover
- Flush mount
- Minimum Illumination : 1Lux (Color), 0.1Lux (B/W)
- 4 wires in polarity
- Angle adjustment : Up / Down, Right / Left

* Optional surface Box available

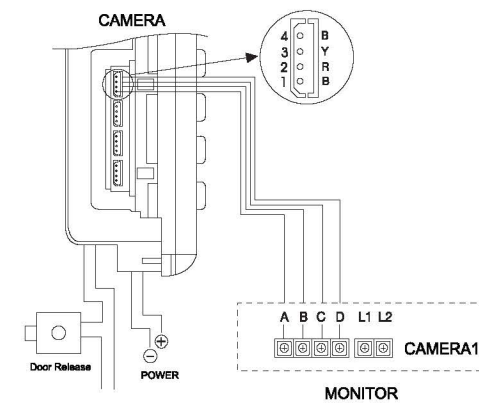
Specification

Power Source	Regulated DC12V
Video Output	1Vp-p / 75 Ω, Composite (EIA/CCIR, NTSC / PAL)
Min. illumination	1Lux (color), 0.1Lux (B/W)
Camera Angle	Up / Down, Left / Right side adjustable
Installation	Flush Mount Type
Operating Temperature	-10°C ~ 50°C
Humidity	Within 90% (Relative humidity)
Power Consumption	Max. 2W
Dimension	123W × 308H × 18D (mm)
Weight	Approx. 1kg
Available VDP (H/A)	HA(C)-200, 201, 300 / HAC-T170 / HAC-307N
Color	Silver

Mounting



Wiring Diagram



System Configuration

