

Videophone System



VIDEO PHONE



Videophone System

High quality Life Style increasing the composure of a life! KOCOM Videophone makes it better.

KOCOM videophone with high quality and stylish design has offered various product groups in accordance with each use for an apartment complex, a multiplex house, a villa, a single-family house and etc., and a customer may install and operate it easily and conveniently.



KCV-352
2 Wire 3.5" Color Handsfree Videophone



KCV-802R
7" Color Handsfree Videophone



KVM-301
4" B/W Handset Videophone



KCV-D372
2 Wire 7" Color Handsfree Videophone

Videophone System



7" Color Handset Type KCV-802R KCV-D802R

- 7" Color LCD (NTSC / PAL Auto Switching)
- Single House, Multi Apartment Condominium & Villa System (upto 450 units)
- Upto 4 Indoor Units Including Audio Sub Phones with 2 Door Cameras & Common Gate Cameras Connection
- Internal Call & Communication between Extended Indoor Units
- Door Open & Monitoring Function (Door Camera & Common Gate Camera)
- Telephone Function (PABX)
- Call & Conversation with Guard Master Phone (KIP-120)
- 18 Melody Selection (24 Poly Melody)
- Extra Special Function Key Button
- Built-in 128 Cut Images Memory & OSD (On Screen Display) Menu Control
- KCV-802: AC Type, KCV-D802R: DC type



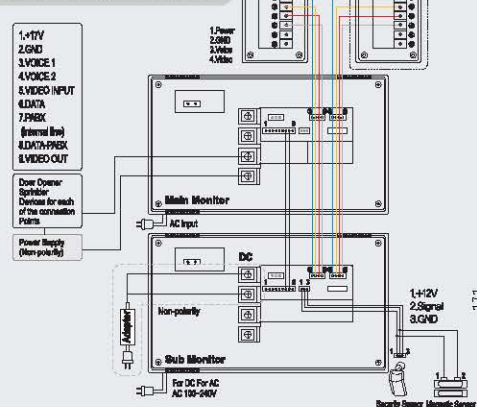
5" Color Multi-entry Type KIV-212 KIV-D212

- 5" TFT LCD Color Handsfree Videophone
- Single House & Multi Apartment, Condominium & Villa System (upto 450 Houses) are Available
- Up to 5 Indoor Units (4 Monitor & 1 Audio Handset, KIP-603) and 2 Front Door Cameras Connection
- Internal Call & Communication Function between Extended Indoor Units in a House
- Audio + Video Communication with Visitor
- Door Open (Front Door & Common Gate) Function
- Call & Communication Function with Guard Master (KIP-120)
- Monitoring Function from Front Door Camera & Common Gate Camera (KLP-C100)
- KIV-212: AC Type, KIV-D212: DC type

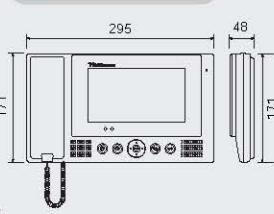
Specifications

- Power : AC100V~240V 50 / 60Hz (KCV-802R), DC 17V ±2V (KCV-D802R)
- Power consumption : Stand by 2W, Max. 12W
- Monitor : 7" Color TFT LCD (NTSC / PAL Auto Switching)
- Video Memory : 128 cut images memory
- Communication system : Duplex handset type
- Wiring : 4 wire (Camera), 5 wire (Audio phone), 7wire (Video phone)
- Max. wiring distance : Ø0.65 single cable : 100m, 5C-2V coaxial cable : 150m
- Indoor unit connection : KIP-603 (Audio phone), KCV-802R, KIV-212, KIV-102
- Camera connection : KC-C60, KC-MC30, KC-MC31, KC-MC35, KC-MC24, KLP-C100, KLP-C104, KLP-C108, KLP-C112
- Assurance temperature : 0°C ~ 50°C
- Mount type : Surface mount
- Dimension (mm) : 295(W)x170(H)x48(D)

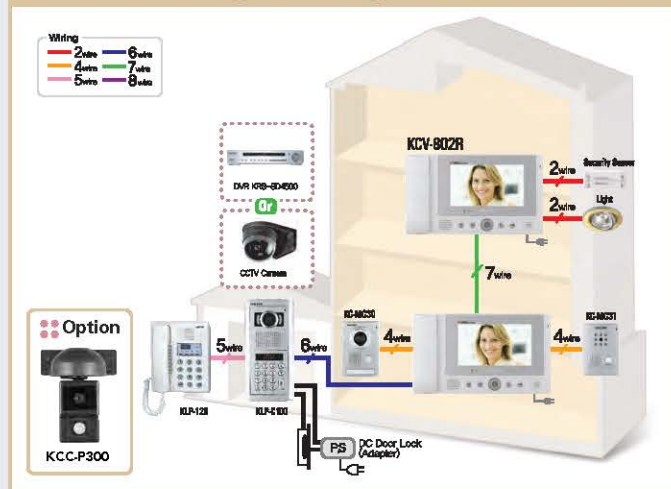
Wiring Diagram



Dimension



System Diagram



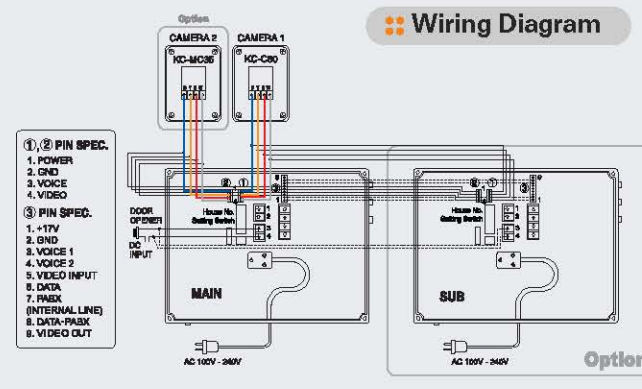
Door Camera



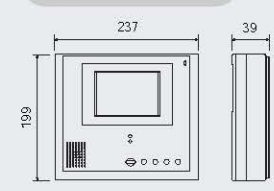
Specifications

- Power : AC100V ~ 240V 50 / 60Hz (KIV-212), DC 17V ±2V (KIV-D212)
- Power consumption : Stand by 2W, Max. 19W
- Monitor : 5" Color TFT LCD
- Communication system : Handsfree type
- Wiring : 4wire (front door camera), 6wire (Common gate camera)
- Max. wiring distance : Ø0.65 single cable : 50m, 5C-2V coaxial cable : 100m (Front door camera)
- Mount type : Surface mount
- Assurance temperature : 0°C ~ +50°C
- Dimension (mm) : 237(W) x 199(H) x 39(D)
- Camera connection :
 - Front door camera : KC-C60, KC-MC35 (Metal pinhole), KC-MC20 (Metal pinhole)
 - Common gate camera : KLP-C100, KLP-C104, KLP-C108, KLP-C112

Wiring Diagram



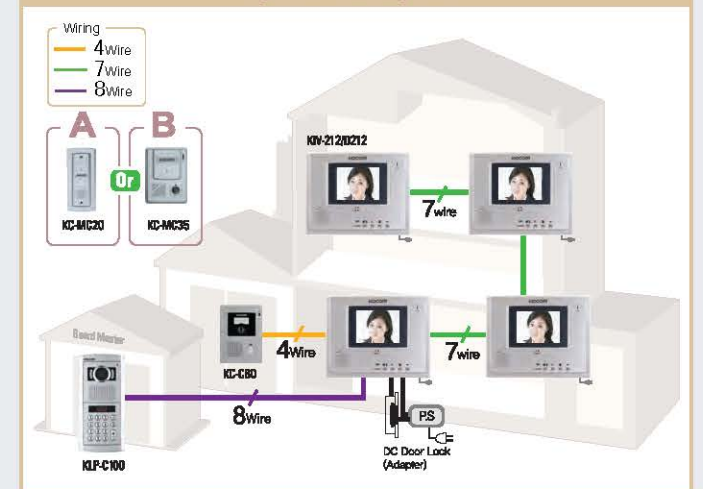
Dimension



Door Camera



System Diagram



Videophone System



4" B/W Multi-entry Type KIV-102 KIV-D102

- 4" CRT B/W Handsfree Videophone
- Single House & multi Apartment, Condominium & Villa System (upto 450 Houses) are Available
- Up to 5 Indoor units (4 Monitor & 1 Audio Handset, KIP-603) and 2 front Door Cameras Connection
- Internal Call & Communication Function between Extended Indoor Units in a House
- Audio + Video Communication with Visitor
- Door Open (Front Door & Common gate) Function
- Call & Communication Function with Guard Master (KIP-120)
- Monitoring Function from Front Door Camera & Common Gate Camera (KLP-100)
- KIV-102 : AC Type, KIV-D102 : DC type

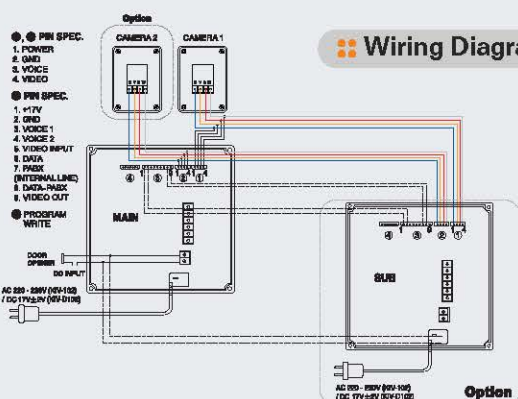
4" B/W Multi-entry Type KVM-520 KVM-D520

- 4" CRT B/W Videophone
- Single House & Multi Apartment, Condominium & Villa System (upto 450 houses) are Available
- Up to 5 Indoor Units (4 Monitor & 1 Audio Handset, KIP-603) and 1 Front Door Camera Connection
- Internal Call & Communication Function between Extended Indoor Units in a House
- Audio + Video Communication with Visitor
- Door Open (Common gate) Function
- Call & Communication Function with Guard Master (KIP-120)
- Upto 4pcs of Common Gate Cameras Connection in a Building
- KVM-520 : AC Type / KVM-D520 : DC Type

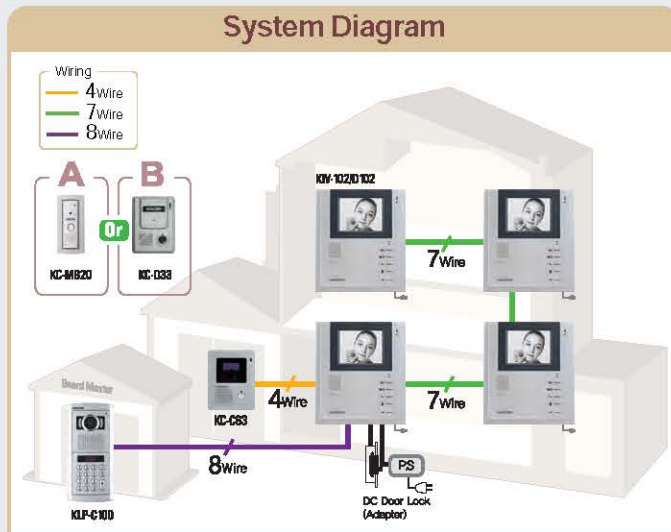
Specifications

- Power : AC100V ~ 240V 50 / 60Hz (KIV-102) / DC 17V ± 2V (KIV-D102)
- Power consumption : Stand by 1W, Max. 24W
- Monitor : 4" CRT Flat Tube
- Communication system : Hands free type
- Wiring : 4wire (front door camera), 6wire (common gate camera)
- Max. wiring distance : Ø0.65 single cable : 50m, 5C-2V coaxial cable : 100m (front door camera)
- Mount type : Surface mount
- Assurance temperature : 0°C ~ +50°C
- Dimension (mm) : 191(W) x 217(H) x 52(D)
- Camera connection : Front door camera-KC-C63, KC-D33 (metal pinhole), KC-MB20 (metal pinhole) Common gate camera-KLP-100, KLP-104, KLP-108, KLP-112 KLP-P100, KLP-P104, KLP-P108, KLP-P112

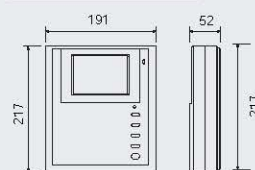
Wiring Diagram



System Diagram



Dimension



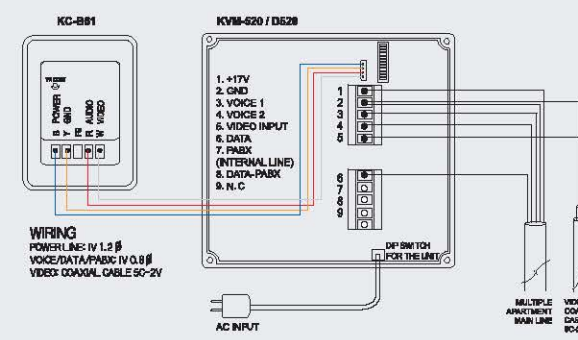
Door Camera



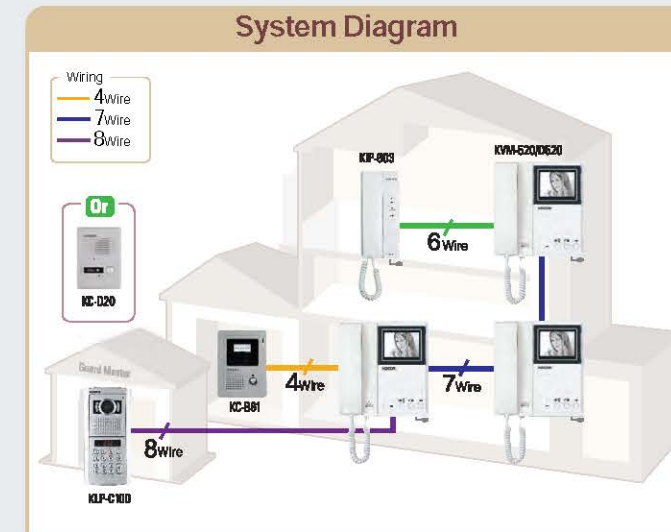
Specifications

- Power : AC100V ~ 240V 50 / 60Hz (KVM-520) DC15V ± 2V (KVM-D520)
- Power consumption : Stand by 1W, Max. 20W
- Monitor : 4" CRT flat tube
- Communication system : Duplex handset type
- Wiring : 4wire (Front door camera), 6wire (Common gate camera)
- Max. wiring distance : Ø0.65 single cable : 50m, 5C-2V coaxial cable : 100m (front door camera)
- Mount type : Surface mount
- Assurance temperature : 0°C ~ +50°C
- Dimension (mm) : 210(W) x 222(H) x 57(D)
- Camera connection : Front door camera-KC-B61, KC-D20 Common gate camera-KLP-100, KLP-104, KLP-108, KLP-112 KLP-P100, KLP-P104, KLP-P108, KLP-P112

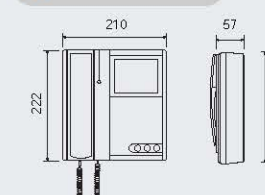
Wiring Diagram



System Diagram



Dimension



Door Camera



Videophone System / Lobbyphone



Color Lobby Phone
KLP-C100 KLP-C104/KLP-C108/KLP-C112
 B/W Lobby Phone
KLP-100 KLP-104/KLP-108/KLP-112

Normal Lens Type



KLP-C100 / KLP-100 KLP-C104 / KLP-104 KLP-C108 / KLP-108 KLP-C112 / KLP-112

Pinhole Lens Type



KLP-P100 KLP-P104 KLP-P108 KLP-P112

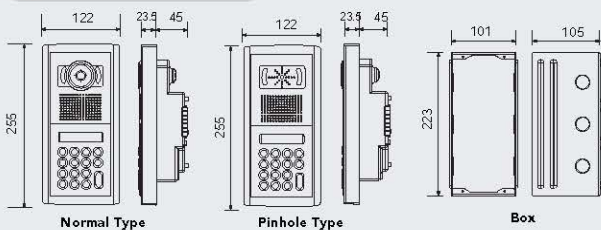
Function

- Upto 4 House (-104 type) / Upto 8 Houses (-108 type) / Upto 12 Houses (-112 type)
- Upto 450 Houses Connection (10 Key Button Type)
- Communication with Guard Master (10 key Button Type)
- Door Open Function by Access Code (10 key button type) or by RF cards (option)
- Angle Adjustment (Up & Down, Right & Left)
- Firm Metal Body Case with New Modern Design
- Upto 9pcs of Common Gate Cameras Connection in a Building
- Normal & Pinhole Lens Camera (KLP-P Series) Selection

Specifications

- Power : DC 17V ± 2V
- Power consumption : Max. 9W, DC 12.8V ± 1V
- Mim. illumination : 1 lux on the object (IR LED ON)
- Mount type : Flush mount
- Assurance temperature : -20°C ~ +50°C
- Dimension (mm) : 122(W) x 255(H) x 33.5(D)
Box(mm) : 101(W) x 223(H) x 105(D)
- Monitor connection :
Color camera-KIV-212, KIV-D212, KCV-802R, KCV-D802R
B/W camera-KIV-102, KIV-D102, KVM-520, KVM-D520

Dimension

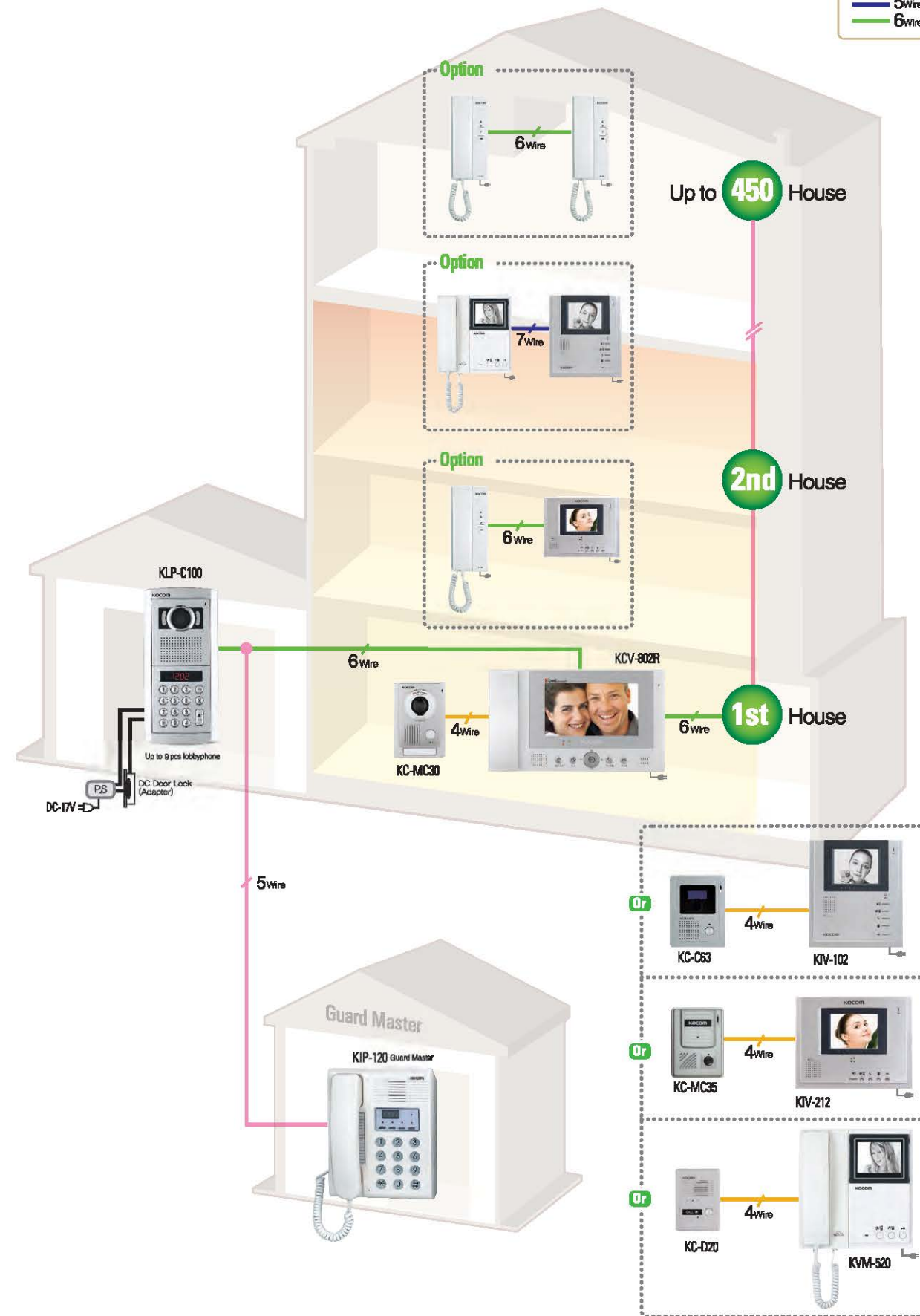


Accessory



System Diagram

[Multi-entry Type Configuration]



Home Manager System / Home Automation System / Video Phone / Door Camera/Doorlock / Sub Device / Interphone & Door Phone / Ventilation System

Videophone System

New



4 Wire 7" SD-Card Handfree Type

KCV-A374SD

- 7" Color Digital LCD (NTSC / PAL Auto switching)
- Slim, Compact & Luxury Design
- Easy to operate using OSD menu & Touch key
- Digital Photo Album
- Digital Video Recorder - Motion Detection
 - Memory Size : up to 32Gb(SD Card interface)
 - Video Format : Moving picture (H.264), Still cut : JPEG
- Multiple language support- English, Spanish, French and Russian
- Connection up to 2 Door cameras or CCTV cameras with 2 monitors and 2 sub audio phone(KDP-602G)
- Call & Communication with visitor & Door open function
- Door Opener Connectable from Either Monitor or Camera



2 Wire 7" Handfree Type

KCV-A372 KCV-D372

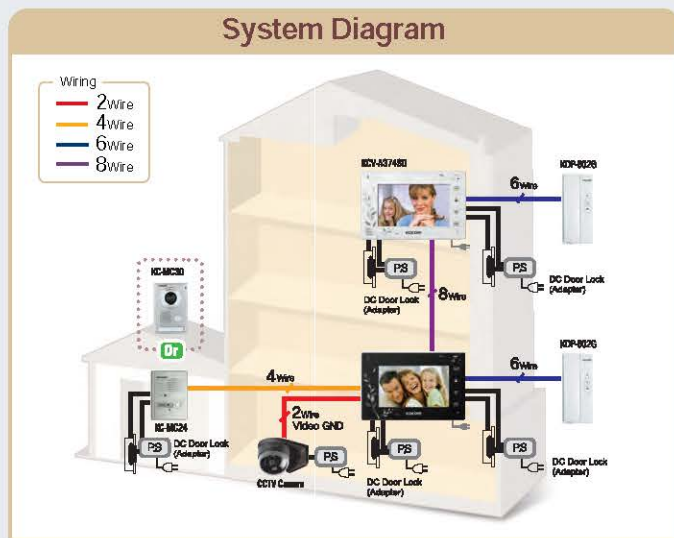
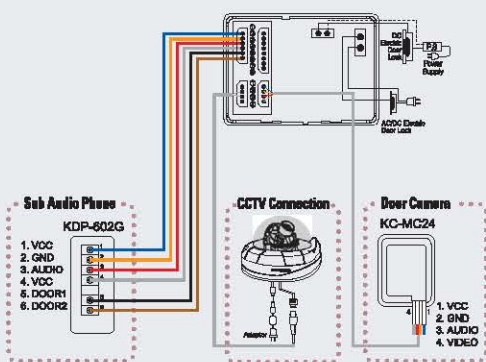
- Clear image and high resolution 7" Color Digital LCD
- Easy & Simple installation- 2 Wire non-polarity
- OSD Menu function
- Automatic connection check between monitor and camera
- Call & Communication with visitor & Door open function
- KCV-A372 : AC Type, KCV-D372 : DC type



Specifications

- Power : AC 100V~240V 50 / 60Hz
- Power consumption : Stand by 0.8W, Max 13W
- Monitor : 7" Color Digital LCD (NTSC / PAL Auto switching)
- Max. Wiring distance : TIV 1.0mm Cabel : 150m (MAX), CAT.5E Cabel : 100m (MAX)
- Wiring : Camera (4Wire Polarity)
Wires Sub audio phone (6Wire Polarity)
Extension Monitor (8Wire Polarity)
- Communication System : Handsfree type
- Mount Type : Surface Mount
- Ambient temperature : 0°C ~ 40°C
- Dimension (mm) : 222(W)×142(H)×33(D)
- Camera connection : KC-C60, KC-MC30, KC-MC24, KC-MC20

Wiring Diagram



Dimension



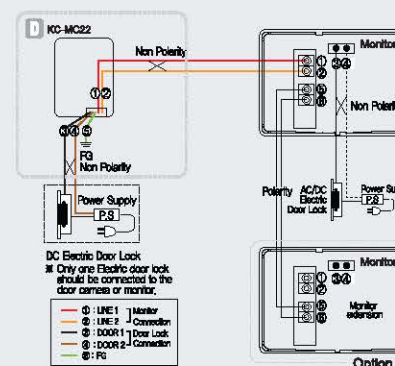
Door Camera



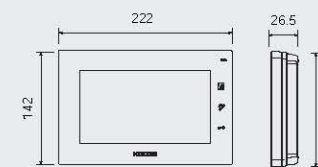
Specifications

- Power : KCV-A372 - AC 100V~240V 50 / 60Hz
KCV-D372 - DC12V(±3V)
- Monitor : 7" Color Digital LCD (NTSC / PAL Auto switching)
- Power consumption : Stand by 0.8W, Max : 13W
- Max. Wiring distance : TIV 1.0mm Cabel : 150m (MAX), CAT.5E Cabel : 100m (MAX)
- Wiring : Camera (4Wire Polarity), Extension Monitor (8Wire Polarity)
Sub audio phone (6Wire Polarity)
- Communication System : Handsfree type
- Mount Type : Surface Mount
- Ambient temperature : 0°C ~ 40°C
- Dimension (mm) : AType - 222(W)×142(H)×33(D)
DType - 222(W)×142(H)×26.5(D)
- Camera connection : KC-C62, KC-MC32, KC-MC22, KC-MC11

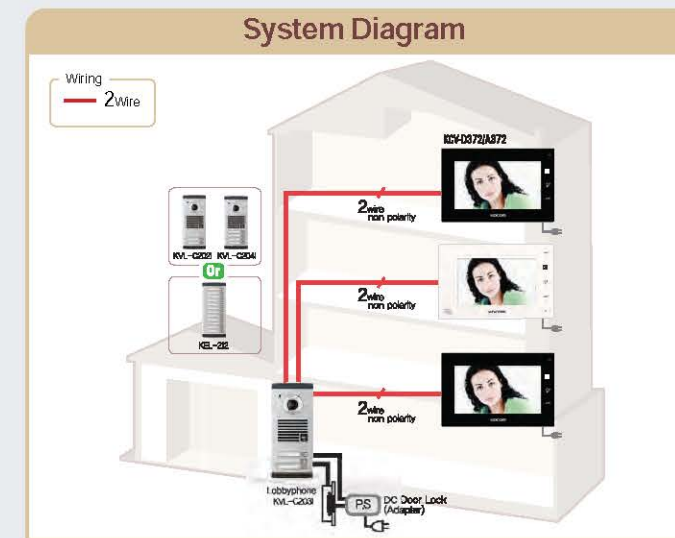
Wiring Diagram



Dimension



Door Camera



Videophone System



2 Wire 3.5" Handfree Type

KCV-352 KCV-D352

- 3.5" Color Digital LCD (NTSC / PAL)
- Easy & Simple installation 2 Wire non-polarity
- LCD OSD Menu
- Room to Door Communication and Monitoring
- Ultra Low Power Consumption
- Door Opener Connectable from Either Monitor or Camera
- KCV-352 : AC Type, KCV-D352 : DC Type



4 Wire 7" Handfree Type

KCV-A374 KCV-D374

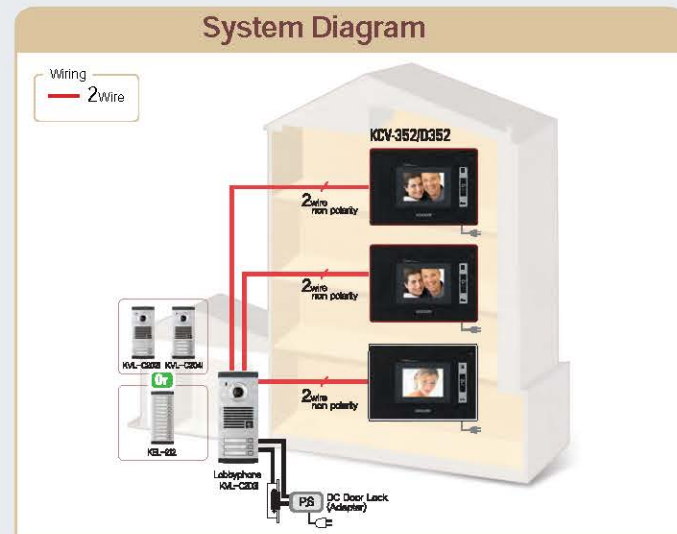
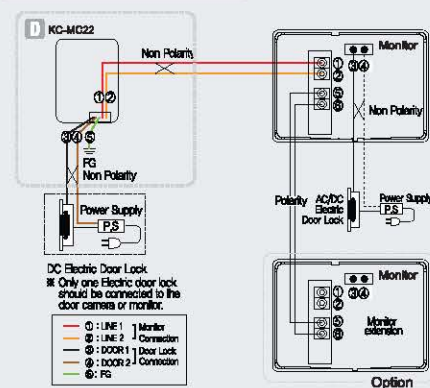
- Clear image and high resolution 7" Color Digital LCD
- LCD OSD Menu
- 5 Melody Selection & Ultra Low Power Consumption
- Communication between Main Monitor and Sub Units
- Door Opener Connectable from Either Monitor or Camera
- Connection up to 2 Door Cameras and 2 Monitors with Sub-Audio Unit(KDP-602G)
- KCV-A374 : AC Type, KCV-D374 : DC Type



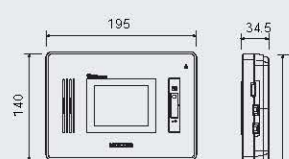
Specifications

- Power : KCV-352 - AC 90-240V (50Hz / 60Hz)
KCV-D352 - DC12V ±0.5V / 1.5A
- Power consumption : KCV-352 - 0.7W
In Communication - 10.5W
KCV-D352 - Stand by : 2W, Max : 15W
- Monitor : 3.5" Color Digital LCD (NTSC / PAL Auto switching)
- Max. Wiring distance : 100m TIV 0.8mm : 120m, TIV 1.0mm : 150m
- Wiring : Camera-2 wire (Non polarity), Extension monitor-2 wire (Polarity)
- Communication System : Handsfree type
- Mount Type : Surface Mount
- Ambient Temperature : 0°C ~ 40°C
- Dimension (mm) : 195(W)×140(H)×34.5(D)
- Camera connection : KC-C62, KC-MC32, KC-MC22, KC-MC11

Wiring Diagram



Dimension



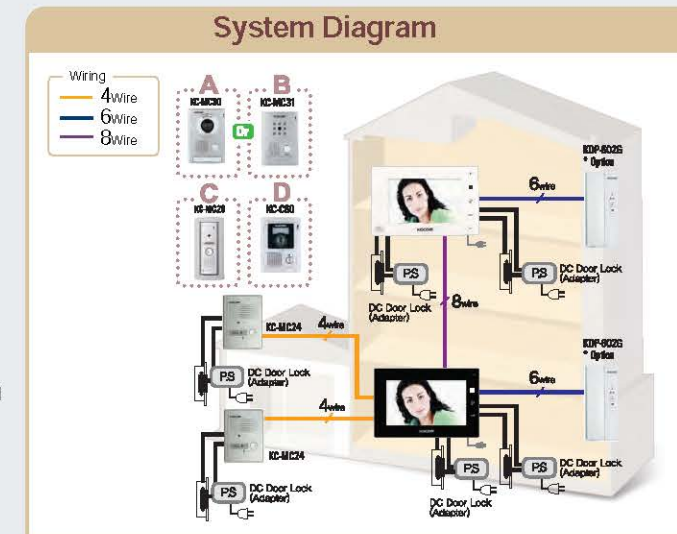
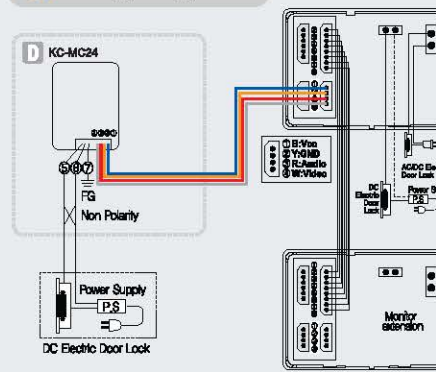
Door Camera



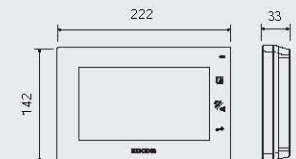
Specifications

- Power : AC 100V ~ AC240V 50 / 60Hz
- Power consumption : Stand by -0.8W, Max -13W
- Monitor : 7" Color Digital LCD (NTSC / PAL Auto switching)
- Max. Wiring distance : TIV 1.0mm Cabel : 150m (MAX),
CAT.5E Cabel : 100m (MAX)
- Communication System : Handsfree type
- Wiring : Camera (4Wire Polarity),
Sub audio phone (6Wire Polarity)
Extension Monitor (8Wire Polarity)
- Mount Type : Surface Mount
- Ambient temperature : 0°C ~ 40°C
- Dimension (mm) : A Type - 222(W)×142(H)×33(D)
D Type - 222(W)×142(H)×26.5(D)
- Camera connection : KC-C60, KC-MC30, KC-MC24, KC-MC20, KC-MC31

Wiring Diagram



Dimension



Door Camera



Videophone System



4 Wire 3.5" Handfree Type

KCV-W354 KCV-DW354

- 3.5" Color Digital LCD (NTSC / PAL)
- Compact & stylish Design
- Easy & Simple installation-4 Wire polarity
- LCD OSD Menu
- Room to Door Communication and Monitoring
- 5 Melody Selection
- KCV-W354 : AC Type / KCV-DW354 : DC Type
- Ultra Low Power Consumption
- Communication between Main Monitor and Sub Units
- Door Opener Connectable from Either Monitor or Camera
- Connection up to 2 Door Cameras and 2 Monitors (KCV-W354 / DW354 / KCV-301) with Sub-Audio (KDP-602G) *option.



7" Handset Type

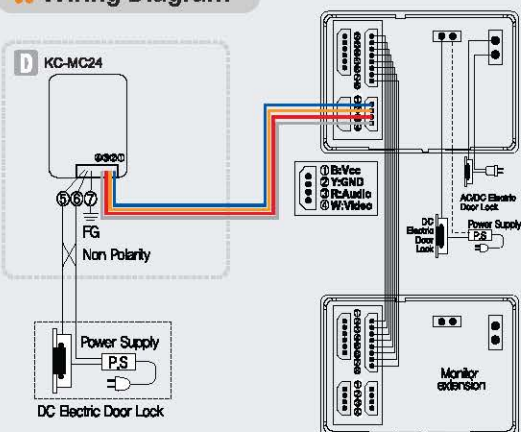
KCV-801R/D801R KCV-801/D801

- 7" Color Digital LCD & LED Indication in Conditions
- 4 Melody Selection
- OSD Menu Control
- PIR Sensor Camera & CCTV Camera Connection
- CCTV Monitoring Mode & Auto Record in Absence Mode
- Built 128 Cut Images Memory
- Upto 2 Monitor & 2 Audio Sub Phone with 2 Cameras Connection
- Internal Call & Communication between Extended Indoor Units
- KCV-801R, KCV-801 : AC Type / KCV-D801R, KCV-D801 : DC Type

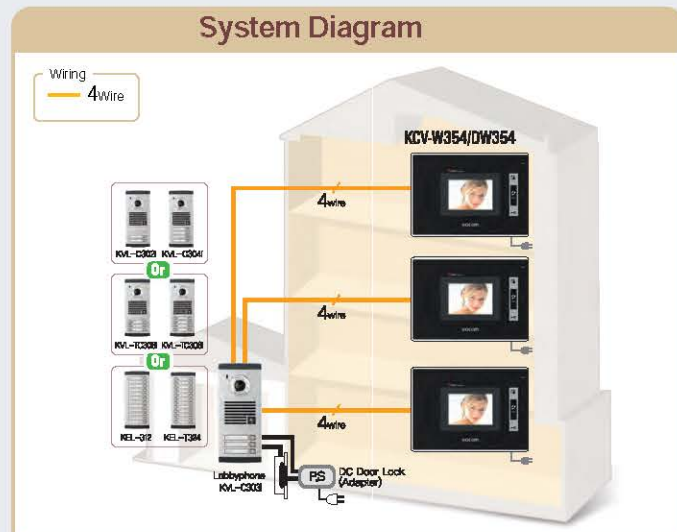
Specifications

- Power : KCV-W354 - AC 90~240V (50Hz / 60Hz)
KCV-DW354 - DC 12V ±0.5V / 1.5A
- Power consumption: Stand by 0.7W, Max 13W
- Monitor : 3.5" Color Digital LCD (NTSC / PAL Auto switching)
- Max. Wiring distance : UTP(CATS) : 100m TIV 0.8mm : 120m,
TIV 1.0mm : 150m
- Wiring : Camera : 4 wire (Polarity) , Sub audio phone : 6Wire(Polarity)
Extension monitor : 8 wire (Polarity)
- Communication System : Handsfree type
- Assurance Temperature : 0°C ~ 40°C
- Mount Type : Surface Mount
- Dimension (mm) : 195(W)×140(H)×34.5(D)
- Camera Connection : KC-C60, KC-MC30, KC-MC31, KC-MC24, KC-MC20

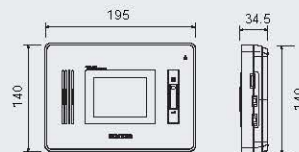
Wiring Diagram



System Diagram



Dimension



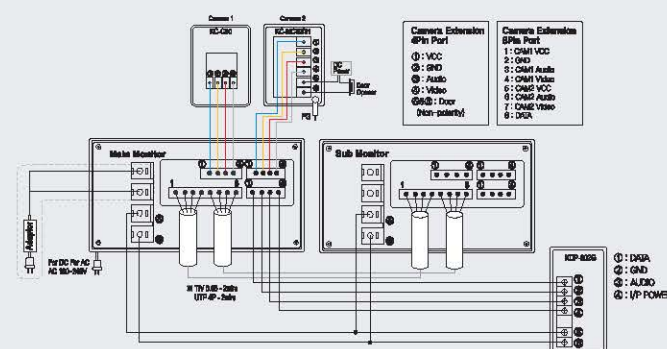
Door Camera



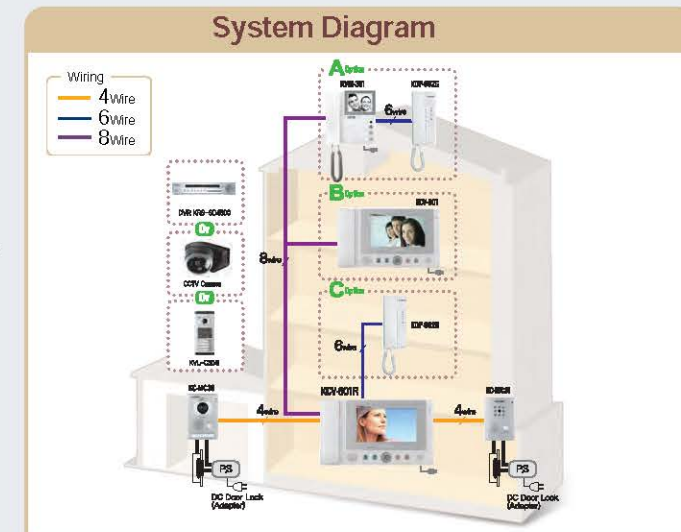
Specifications

- Power Supply : AC 100 - 240V (KCV-801R / KCV-801),
DC 15V 1.2A (KCV-D801R / KCV-D801)
- Power consumption : Stand by 2W, Max. 12W
- Monitor : 7" Color Digital LCD
- Wiring : 4 wire (camera), 6 wire (Sub audio phone), 8wire (Sub video phone)
- Color Memory : Memory up to 128 images (KCV-801R / KCV-D801R)
- Camera Connection : KC-C60, KC-MC35, KC-MC20, KC-MC30,
KC-MC31, KC-MC24, KVL-TC302i Series lobby phone
- Indoor unit Connection : KDP-602G(Sub audio phone),
KCV-W354, KVM-301, KCV-801, KCV-301
- Communication System : Duplex handset conversation
- Distance : TIV Ø0.65 cable:100m
- Mount : Surface mount
- Assurance Temperature : 0°C ~ 40°C
- Dimension (mm) : 295(W)X170(H)X48(D)

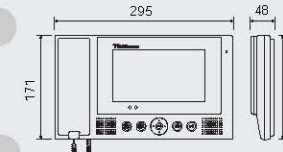
Wiring Diagram



System Diagram



Dimension



Door Camera



Option



Videophone System



New



4Wire 4" Color Handset Type KCV-301

- 4" Color Digital LCD (NTSC/PAL)
- Door open during communication
- Easy & simple installation with only 4 wires
- Intercom function between extended indoor units
- Surface mount type installation
- External 64 cut memory equipment (KVR-300) connection -(B/W)*option
- Connection with up to 2 door cameras, 2 monitors and 2 sub audio phone (KDP-602G)*option
- 5 melody selection



4Wire 4" B/W Handset Type KVM-301 KVM-D301

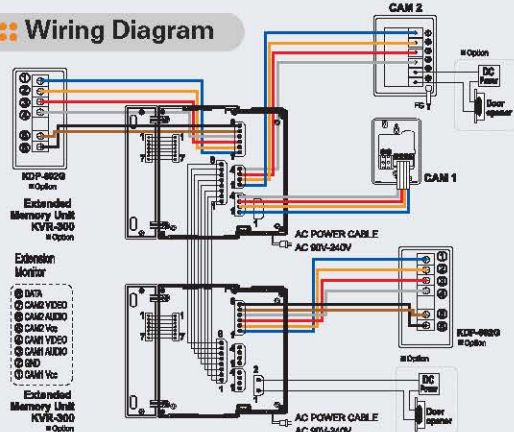
- 4" CRT B/W Videophone
- External 64 Cut Memory Equipment
- Internal Call & communication between extended Indoor Units
- Audio & video Conversation with Visitor
- Door open & Monitoring Function
- 5 Melody Selection
- Security Sensor Connection
- PIR Sensor Camera, CCTV Camera Connection
- CCTV Monitoring Mode
- Camera Selection
- Doorlock Connection Eighter Monitor or Camera
- Upto 2 Monitors & 2 Audio Sub Phones with 2 Cameras Connection
- KVM-301 : AC Type / KVM-D301 : DC Type



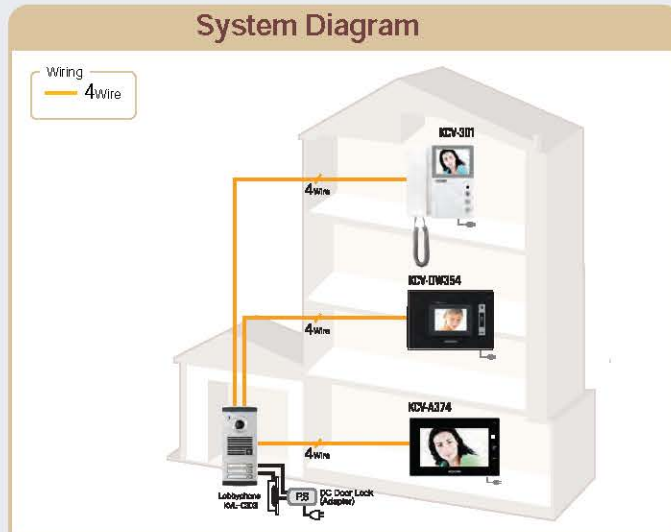
Specifications

- Power : AC 90-240V 50Hz / 60Hz, DC12V
- Power consumption : Stand by 2W, Max. 15W
- Monitor : 4" Color Digital LCD (NTSC / PAL Auto switching)
- Wiring : Camera : 4 wire (Polarity), Sub audio phone : 6Wire(Polarity)
Extension monitor : 8 wire (Polarity)
Max.Wiring distance : 0.65mmx4P : 100m
Max.Wiring distance : UTP (CAT5) : 100m
TIV 0.8mm : 120m, TIV 1.0mm : 150m
- Communication System : Duplex Handset type
- Mount Type : Surface Mount
- Dimension (mm) : 210(W) x 222(H) x 57(D)
- Indoor unit connection : KDP-602G (Audio phone), KVM-301, KCV-W354, KCV-801R, KCV-801
- Camera Connection : KC-C60, KC-MC30, KC-MC31, KC-MC24, KC-MC20
Common gate camera : KVL-C302i, KVL-C303i, KVL-C304i, KVL-TC306i, KVL-TC308i

Wiring Diagram



System Diagram



Door Camera

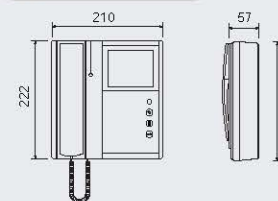


Option

Specifications

- Power : AC 90-240V 50Hz / 60Hz, DC12V
- Power consumption : Stand by 2W, Max. 15W
- Monitor : B/W CRT 4" flat tube (NTSC / PAL Auto switching)
- Melody : 5 melody selection
- Wiring : Camera : 4 wire (Polarity), Extension monitor : 8 wire (Polarity)
Sub audio phone : 6 wire (Polarity)
Max.Wiring distance : 0.65mmx4P : 100m
Max.Wiring distance : UTP (CAT5) : 100m
TIV 0.8mm : 120m, TIV 1.0mm : 150m
- Communication System : Duplex Handset type
- Mount Type : Surface Mount
- Dimension (mm) : 210(W) x 222(H) x 57(D)
- Indoor unit connection : KDP-602G (Audio phone), KVM-301, KCV-W354, KCV-801R, KCV-801
- Camera connection : KC-B61, KC-MB30, KC-D20, KC-D33, KC-MB20, KC-MB31
Common gate camera : KVL-C302i, KVL-C303i, KVL-C304i, KVL-TC306i, KVL-TC308i

Dimension

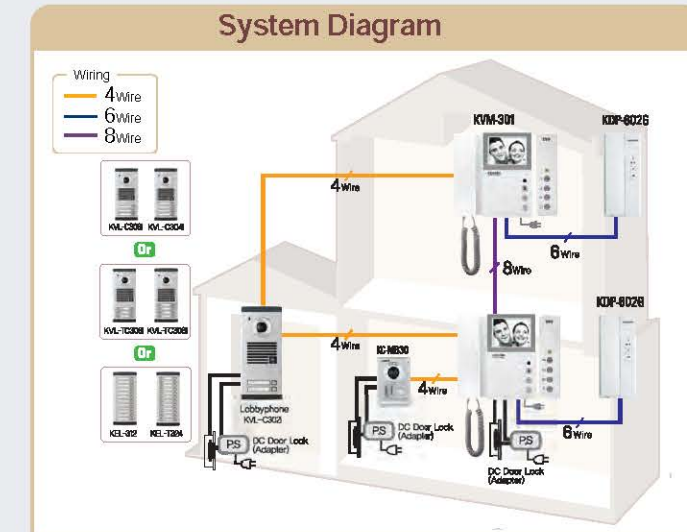


Door Camera



Option

System Diagram



Home Manager System | Home Automation System | Video Phone | Door Camera/Doorlock | Sub Device | Interphone & Door Phone | Ventilation System

Videophone System

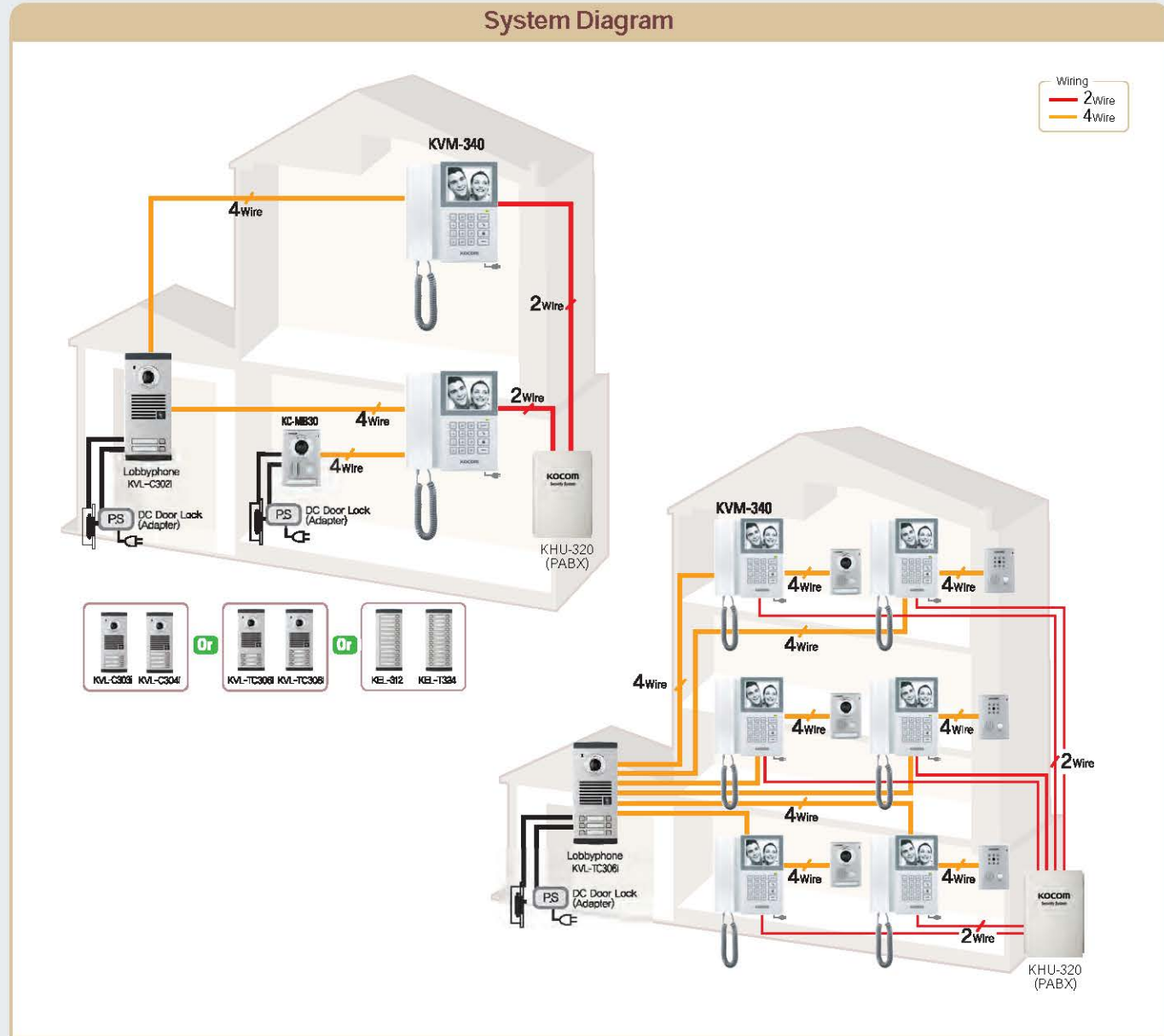


4Wire 4" B/W Handset Type **KVM-340**

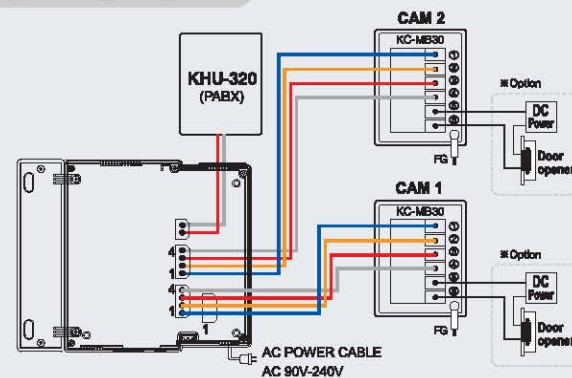
- 4" CRT B/W Videophone
- External 64 Cut Memory Equipment
- Internal Call & communication between extended Indoor Units
- Audio & video Conversation with Visitor
- Door open & Monitoring Function
- 5 Melody Selection
- Telephone Function
- Security Sensor Connection
- PIR Sensor Camera, CCTV Camera Connection
- CCTV Monitoring Mode
- Camera Selection
- Doorlock Connection Eighter Monitor or Camera
- Upto 2 Monitors & 2 Audio Sub Phones with 2 Cameras Connection



System Diagram



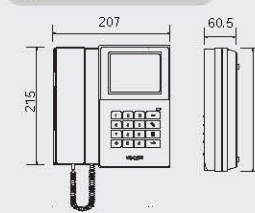
Wiring Diagram



Specifications

- Power : AC 90~240V 50Hz / 60Hz
- Power consumption : Stand by 2W, Max. 15W
- Monitor : B/W CRT 4" flat tube
- Melody : 5 melody selection
- Wiring : Camera : 4 wire (Polarity), PSTN: 2 wire
Max.Wiring distance : 0.65mmx4P : 100m
Max.Wiring distance : UTP (CAT5) : 100m
TIV 0.8mm : 120m, TIV 1.0mm : 150m
- Communication System : Duplex Handset type
- Mount Type : Surface Mount
- Dimension (mm) : 207(W) x 215(H) x 60.5(D)
- Indoor unit connection : KDP-602G (Audio phone),
KVM-301, KCV-W354, KCV-801R, KCV-801
- Camera connection : KC-B61, KC-MB30, KC-D20, KC-D33, KC-MB20
Common gate camera : KVL-C302i, KVL-C303i, KVL-C304i, KVL-TC306i, KVL-TC308

Dimension



Door Camera



Option



Home Manager System | Home Automation System | Video Phone | Door Camera/Doorlock | Sub Device | Interphone & Door Phone | Ventilation System

Videophone System



4" B/W Videophone **KVM-604**

- 4" CRT B/W Videophone
- Up to 4 Indoor Units (3 monitor & 1 audio handset, KDP-602G) and 1 Front Door Camera Connection
- Audio + Video conversation with Visitor
- Door Open Function



Videophone System / Sub Device



Sub Interphone **KDP-602G**

- Extension Sub Doorphone
- Audio Conversation with Door Camera
- Internal Call & Communication
- Door Open



Memory Phone **KVR-300**

- External Memory Equipment (32M DRAM)
- Upto 64 Cut frame Record
- Play & Record (Manual & Automatic) Function
- Date Setting (Year / Month / Day)
- Connection with KVM-301 / KVM-D301 Monitor



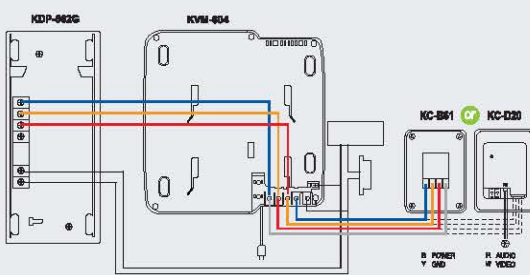
CCTV Camera **KCC-P300 Color** **KCB-P300 B/W**

- PIR Sensor Camera with Security Phone (KCV-802R, KCV-801R) for Surveillance System.
- Built-in PIR Sensor
- Any Movement Detection will be Captured in Security Monitor in Absence Mode.
- Powered from the Security Phone Monitor (KCV-802R, KCV-801R)

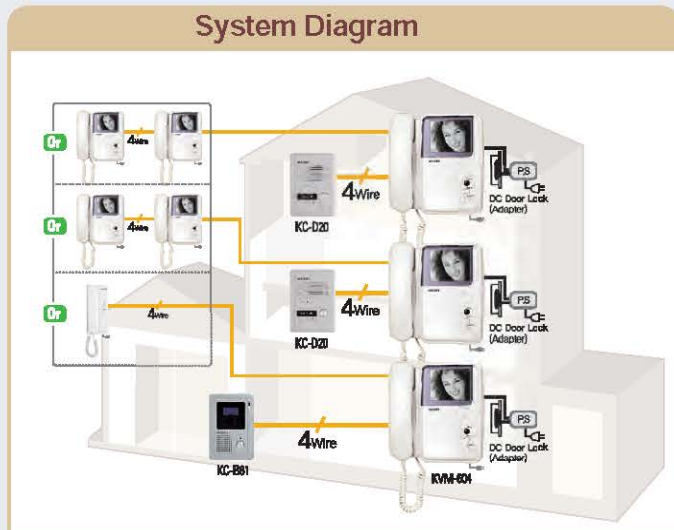
Specifications

- Power : AC100V~ 240V 50 / 60Hz
- Power consumption : Stand by 1W, Max. 15W
- Monitor : B/W CRT 4" flat tube
- Communication system : Duplex handset type
- Wiring : 4wire in polarity
- Max. wiring distance : Ø 0.65 single cable : 50m, 5C-2V coaxial cable : 100m
- Mount type : Surface mount
- Assurance temperature : 0°C ~ +50°C
- Dimension (mm) : 204(W) x 210(H) x 53(D)
- Audio handset connection : KDP-602G (No intercom function)
- Camera connection : KC-B61, KC-D20 (Metal pinhole), KC-MB20 (Metal pinhole)

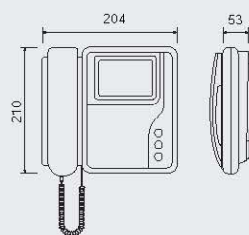
Wiring Diagram



System Diagram



Dimension



Door Camera

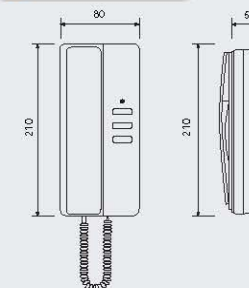


Option

Specifications

- Power consumption : Max. 2W
- Power monitor : Powered from monitor
- Monitor connection : KVM-301, KVM-524RG, KVM-604, KCV-801R, KCV-801, KCV-W354
- Body : Plastic
- Wiring : 4 wire
- Mount Type : Surface
- Indoor unit connection : KVM-301, KCV-301, KCV-W354, KCV-801R, KCV-801
- Assurance temperature : 0°C ~ +50°C
- Dimension (mm) : 92(W) x 210(H) x 57(D)

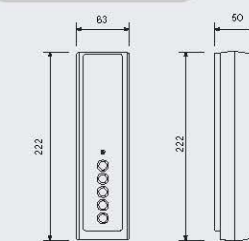
Dimension



Specifications

- Power consumption : Max. 15W
- Power : Powered from monitor
- Monitor connection : KVM-301 / KVM-D301 / KCV-301
- Body : Plastic
- Wiring : 7 wire
- Mount Type : Surface
- Assurance temperature : 0°C ~ +50°C
- Dimension (mm) : 63(W) x 222(H) x 50(D)

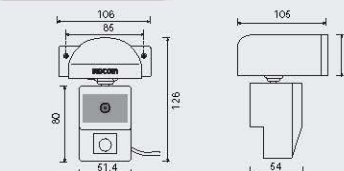
Dimension



Dimension

- Power Input 12V DC ±1V
- Power Consumption : 200mA Max.
- Shutter Speed : 1/60 sec 1/100,000 sec
- Video Output : 1VP-P 75ohm
- Scanning System : EIA or CCIR NTsc or PAL, SECAM
- Resolution : 330 TV Line
- S/N Ratio : 48 dB
- Min. Illumination : 0.1 LUX 0.5LUX
- Lens : 3.6 mm
- Assurance temperature : -10°C ~ -60°C
- Dimension (mm) : 106(W) x 126(H) x 105(D)

Dimension



Home Manager System
 Home Automation System
 Video Phone
 Door Camera/Doorlock
 Sub Device
 Interphone & Door Phone
 Ventilation System

Videophone System / Lobbyphone

New



KVL-C203i / C303i

KVL-C204i / C304i

4 Wire Lobby Phone

KVL-C302i KVL-C303i / C304i / C306i / C308i / KEL-212

2 Wire Lobby Phone

KVL-C202i KVL-C203i / KVL-C204i / KEL-212



4 Wire Lobbyphone



KVL-C302i KVL-C303i KVL-C304i KVL-TC306i KVL-TC308i KEL-303 KEL-306 KEL-309 KEL-312 KEL-T324

2 Wire Lobbyphone



KVL-C202i KVL-C203i KVL-C204i KEL-212

Function

- Modern & Stylish Design
- Easy & Simple Installation with
 - 4 Wire-KVL-C302i, KVL-C303i, KVL-C304i, KVL-TC306, KVL-TC308i, KEL-312, KEL-T324
 - 2 Wire-KVL-C202i, KVL-C203i, KVL-C204i, KEL-212
- Call, Communication & Door Open with Monitor
- Door Open by I-Button Key (Dallas Chip) *Option
- Max. 1,300 numbers of I-Button Key registration
- White LED On in Low Illumination
- Name Plate LED On in operation
- Camera Angle Adjustable (Up, Down, Right & Left)
- Receiving & Calling Audio Volume Adjustable
- Long Distance Connection
- Door Lock Connection

Specifications

- Power : DC 12V / 1.5A
- Power Consumption : 1.2W at stand by, 5.6W in operation
- TV System : NTSC / PAL
- Camera Angle : Normal Lens 96.1 °, Camera Angle Adjustable
- Body Material : Stainless Aluminum
- Min. Illumination : 0.1Lux (LED On)
- Mount type : Flush Mount
- Assurance Temperature : -20 °C ~ +50 C
- Dimension (mm) : 125(W) x 290(H) x 16(D)
- Box(mm):115(W) x 282(H) x 50(D)
- Monitor Connection : 2 Wire - KCV-A372, KCV-D372, KCV-352, KCV-D352
- 4 Wire - KCV-A374, KCV-301, KCV-W354, KCV-DW351
- KCV-801R, KCV-801, KVM-301

System Diagram

4Wire Connection (All House from 2 to 32)

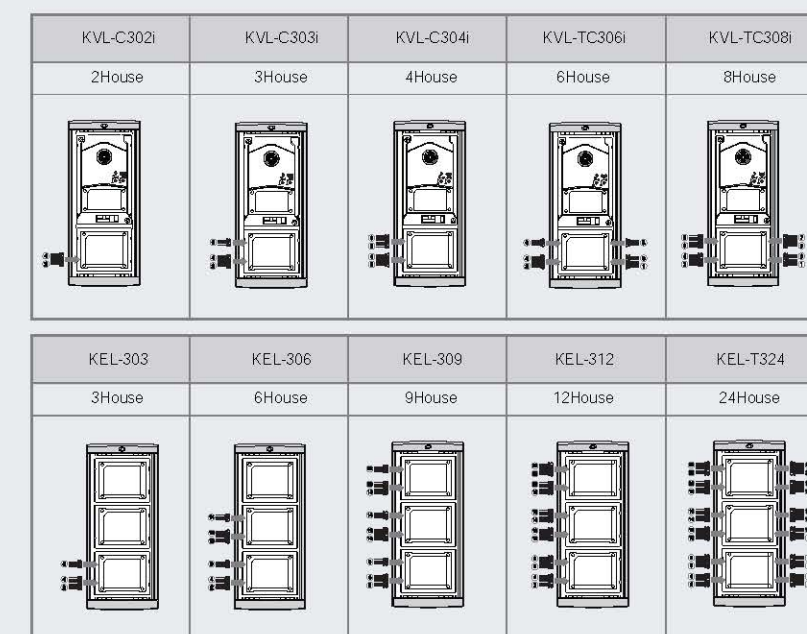


2Wire Connection

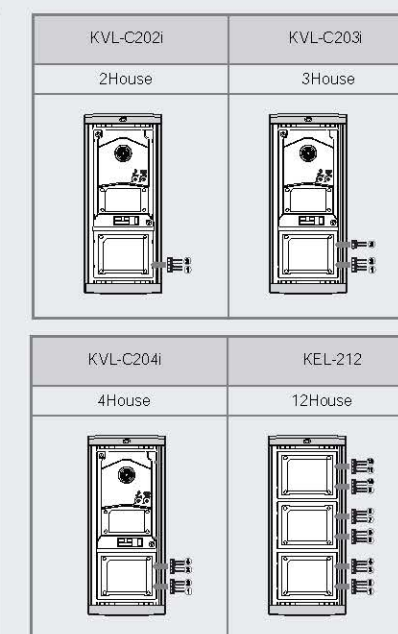


Wiring Connection

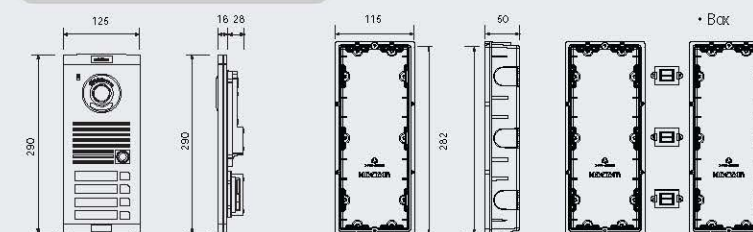
4Wire Common Gate Camera & Extension Unit



2Wire Common Gate Camera & Extension Unit



Dimension



Option



I Button KIB-01

Sunvisor SV30

Home Manager System / Home Automation System / Video Phone / Door Camera/Doorlock / Sun Device / Interphone & Door Phone / Ventilation System