

Automate and secure your entrance in style

Fully automated motorized
swing barrier.

Model : SWB200 series

SWB200 is designed to be slimmest of all pedestrian gate. Slim form factor save space and allow you to put more gates to digest higher traffic. More glass surface that makes it look very elegant to elevate premium atmosphere of any building lobby. High speed advance servo motor is used to achieve faster pass through rate.

SWB200 offer wide and full clearance opening to allow pedestrian with luggage to pass through with comfort.



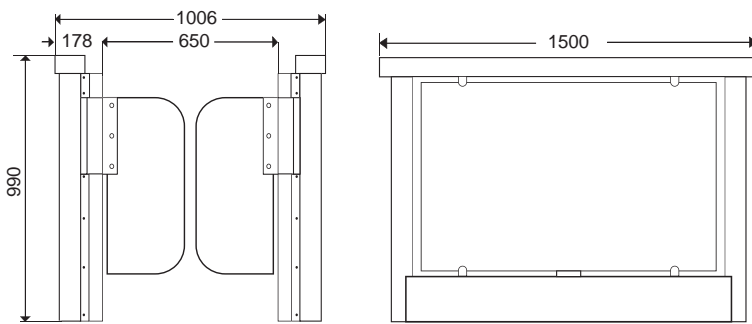
Premium
automation



TECHNICAL SPECIFICATION:

Description	Parameters
Temperature	-15° to 60C
Operating voltage	DC 24V
Power supply input	220V ± 10% AC, 50 / 60Hz
Power consumption	100 watt
Humidity	0 to 95%
Optimal traffic rate	20 to 30 people per min
Motor type	Brushless DC servo motor
Communication Interface	RS485 / RS232
Working environment	Indoors
Machinery mechanism	Lossless mechanism
Control Input / Output	6 channels relay control output/ 4 channel dry contact signal input

DIMENSION:



ORDERING INFO:

Model No	Description
SWB201	Single door panel
SWB202	Dual door panel

ACCESSORIES:



Safety beam



Push Button

Authorized dealer

Feature

1 MINIMUM MAINTENANCE

Uses brushless DC motor eliminate the need of changing carbon brush thus reducing maintenance work. Key internal parts is treated with anti-rust and anti-septic to ensure long term reliability.

2 ELEGANT DESIGN

Slim form factor, premium stainless steel and glass panel material with elegant arc design effectively help create an welcoming and elegant prestigious atmosphere at building entrance to impress your visitors.

3 ANTI-TAILGATING

High performance IR sensor is used to detect tail-gating, illegal passing attempt and pass through direction to ensure maximum security at front gate. Door panel will be closed if tailgating is detected.

4 DOUBLE SAFETY

Door will automatically reverse once safety IR detected obstacle or when a small force is detected blocking its motion. This dual detection feature is to prevent injury caused by door hitting people.

5 EMERGENCY RECOVERY

During power failure, door panel will open automatically to allow free pass through. In the event of emergency such as fire alarm, sliding barrier can be manually trigger to open permanently to allow fast evacuation.

" Entrance is the first level of protection in building security. MAG offer complete gate automation system to secure your entrance.... "

