

AR-888 (H·K/U·PBI)

Flush-Mounted Series

Illuminated Touch Key Panel Access Controller

Wiegand (Keypad) Reader

Touch-Less Infrared Push Button



Consistent. Elegant. Neat. Stylish

- ◎ IP55 Weatherproof design, can be used in any environment
- ◎ Illuminative Keys, 1 bi-color Edge LED, 3 one-color LED and 1 beeper for identification
- ◎ Illuminated Touch-Panel and elegant design with colorful Edge Indicator
- ◎ Flush-Mounted Design gives neat installation
- ◎ 2 sets of LED input can indicate other equipment status



AR-888H

Flush Mounted Access Controller



Specification

Frequency	125kHz	13.56MHz
Standard	EM Standard (Option) HID Prox Indala Prox	ISO14443A (Option) ISO15693 ISO7816 DESFire FeliCa™ NFC
Reading Range (Depends on Tags)	5-15cm	2-5cm
Power Supply	10-24VDC	
Power consumption	<5W	
Communication Interface	RS-485	
Baud Rate	9600 bps(N,8,1)	
Temperature	-20°C to +60 °C	
Digital Input	1 Egress(R.T.E.) / 1 Door contact	
Relay Output	Lock Relay	
Lock Relay Time	ON/OFF, 0.1-600 Sec.	
Alarm Time	Toggle, 1-600 Sec.	
Tamper Switch	Limit Switch(Form C)	
User Capacity	3,000	
Event log	1,500	
External Reader	1 Wiegand Port	
Anti-pass-back	Yes	
Lift Control	32 Floors, 3,000 Users	
Serial Port	Yes (Optional: AR-321L485)	
Real Time Clock	Yes	
LCD Panel	No	
Door Bell Button	No	
Transistor Output	H: Arming LED / Alarm / Duress	
Ingress Protection	IP55	
Indicator	1 Edge Bi-color LED & 3 one color LED & 1 Beeper	
Keypad Material	Illuminated Touch-Panel	
Housing Material	ABS / PC Panel	
Time Zone	11	
Operation Mode	Stand-Alone / Networking	
Color	Black	
Dimension(mm)	US: 118(L)X81(W)X9(H)/43(H) EU: 88(L)X86(W)X9(H)/43(H)	
N.W. / G.W.(g)	US: 120±10 / 210±10 EU: 110±10 / 190±10	
By Order	*AR-WG-HID *AR-MDL-721V (Voice Module)	

(US Type / EU Type)

AR-888K/U

Wiegand (Keypad) Reader



Specification

Frequency	125kHz	13.56MHz
Standard	EM Standard (Option) HID Prox Indala Prox	ISO14443A (Option) ISO15693 ISO7816 FeliCa™ DESFire
Reading Range (Depends on Tags)	5-10cm	3-8cm
Power Supply	9-16VDC	10-24VDC
Read / Write	Read Only	Read/Write
Supported Tague	EM 4001 EM4012	MIFARE Ultra Light(10) MIFARE Standard(S50) MIFARE Plus(P60)
Power consumption	<1W	
Communication Interface	WG26, WG34, ABA-II, ASYNC	
Baud Rate	9600 bps (N, 8, 1)	
Temperature	-20°C to +60 °C	
Ingress Protection	IP55	
Indicator	1Bi-Color LED & 1 Beeper	
Keypad Material	K: Illuminated Touch-Panel / U: No	
Housing Material	ABS / PC Panel	
Color	Black	
Dimension(mm)	US: 118(L)X81(W)X9(H)/43(H) EU: 88(L)X86(W)X9(H)/43(H)	
Weight(g)	155±10 (US), 135±10 (EU)	

PBI-888-US / EU

Touch-less Infrared Push Button

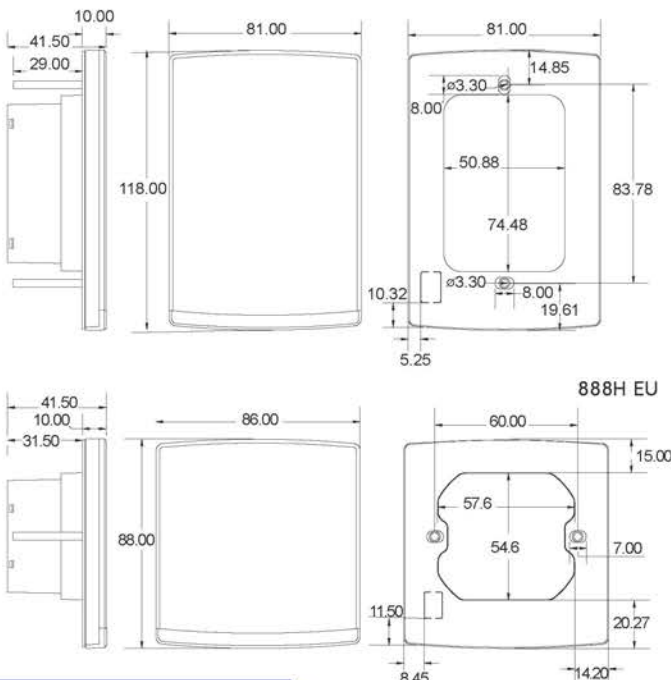


Specification

Detection Distance	5-20cm
Power Supply	9-15VDC
Power consumption	12VDC @ 65mA max. during activation (35mA during standby)
Temperature	-20°C to ~ +60 °C
Life-span	Approx. 500,000 times
Ingress Protection	IP55
Indicator	Edge: Green&Red (Standard) Blue&Red (Optional)
Housing Material	ABS / PC Panel
Color	Black
Dimension(mm)	US: 118(L)X81(W)X9(H)/43(H) EU: 88(L)X86(W)X9(H)/43(H)
Weight(g)	155±10 (US), 135±10 (EU)

(US Type / EU Type)

Dimension (mm)



Application



Installation

