

Biometric Access Controller

Top verification of security with card, PIN and biometric module options

Dual
RFID Band/Networking Port



AR-821EV-V5



AR-821EF-V5



AR-881EV



AR-881EF



Biometrics

▶ Dual Communication Interface



▶ Top Secure with Biometrics



▶ Dual Operation Mode

▶ Stand-alone+ Networking

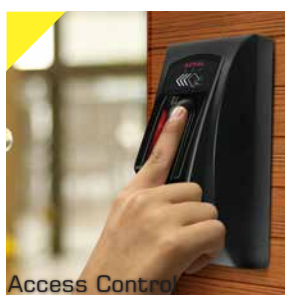
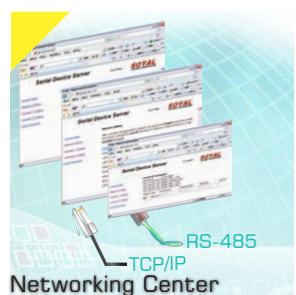
▶ Patent Relay avoids vibrating to Mis-Trigger

▶ Dual Band Available



▶ Optical
▶ Capacitive
▶ Optical+Capacitive
▶ Vein

▶ Security trigger signal resist from stealing



SOYAL® RFID solutions · Proximity & Smart cards
ACCESS CONTROL SYSTEM Hardware & Software OEM/ODM Service



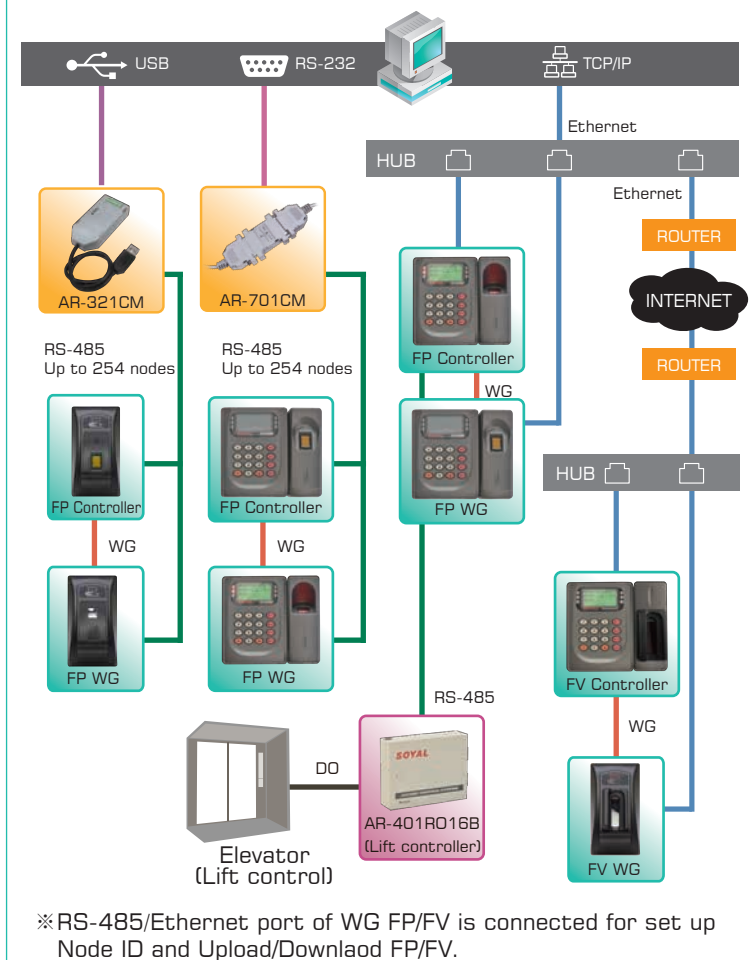
Biometric Access Controller

AR-821EF-V5/AR-821EV-V5/AR-881EF/AR-881EV

Specification (125kHz/13.56MHz/Dual Band three options)

Frequency	125kHz	13.56MHz	
Data Standard	·EM Standard	·ISO14443A ·DESFire ·PSAM ·NFC	Option
Power Consumption	<5W		
Communication Interface	RS-485+Ethernet		
Baud Rate	RS-485	9600 bps(N,8,1)	
	Ethernet	10/100M Base T	
Power Supply	10-24VDC		
Digital Input	2 Egress(R.T.E.) / 2 Door contact		
Operating Temperature	0°C to +50°C		
Lock Relay Time	Toggle, 0.1-600 Sec.		
Alarm Relay Time	Toggle, 1-600 Sec.		
User Capacity	16,000		
Event Log	32,000		
External Reader	WG26/34		
Anti-pass-back	Yes		
Lift Control	64 floors, 16,000 Users		
Serial Port	No		
Real Time Clock	Yes		
Transistor Output	Arming LED / Alarm / Duress WG Lock Relay / Security trigger signal		
Indicator	6 LED+1 Beeper		
Keypad Material	Rubber		
Operating Mode	Stand-alone/Networking		
Time Zone	63		

Structure



AR-821EF-V5 (Finger Print)

Active Distance	125kHz:5-15cm	13.56MHz:2-5cm
Relay Output	1 Alarm Relay / 1 Lock Relay	
LCD Panel	128*64(4 lines message,16 characters/line)	
Housing Material	ABS	
Color	Gray	
FRR	<0.01%	
Veinprint capacity	4,500-9,000 User (1 or 2 fingers per person)	
Auth. Speed(1:N)	0.97Sec.(DO) / 0.65Sec.(MT)	
Dimension(mm)	132(L)X144(W)X102(H)	
Weight (g)	470±10(DO),420±10(MT)	

AR-881EF (Finger Print)

Active Distance	125kHz:5-10cm	13.56MHz:2-7cm
Relay Output	1 Lock Relay	
LCD Panel	No	
Housing Material	ABS+PC	
Color	Black	
FRR	<0.001% / <0.1%	
Veinprint capacity	4,500-9,000 User (1 or 2 fingers per person)	
Auth. Speed(1:N)	0.8Sec.	
Dimension(mm)	151(L)X81(W)X73(H)	
Weight (g)	330±10	

AR-821EV-V5 (Finger Vein)

Active Distance	125kHz:5-15cm	13.56MHz:2-5cm
Relay Output	1 Alarm Relay / 1 Lock Relay	
LCD Panel	128*64(4 lines message,16 characters/line)	
Housing Material	ABS	
Color	Gray	
FRR	<0.0001% / <0.01%	
Veinprint capacity	1,000-2,000 User (1 or 2 fingers per person)	
Auth. Speed(1:N)	1.1Sec.	
Dimension(mm)	132(L)X144(W)X102(H)	
Weight (g)	460±10	

AR-881EV (Finger Vein)

Active Distance	125kHz:5-10cm	13.56MHz:2-7cm
Relay Output	1 Lock Relay	
LCD Panel	No	
Housing Material	ABS+PC	
Color	Black	
FRR	<0.0001% / <0.01%	
Veinprint capacity	1,000-2,000 User (1 or 2 fingers per person)	
Auth. Speed(1:N)	1.1Sec.	
Dimension(mm)	151(L)X81(W)X88(H)	
Weight (g)	320±10	