

NTSC WV-CS584 (24 V AC) PAL WV-CS580 (220 ~ 240 V AC)
WV-CS584 (24 V AC)



All-in-one 24-hour surveillance camera featuring 36x zoom and Super Dynamic 6 technology

Key Features

- **Super Dynamic 6** technology delivers 128x(NTSC) / 160x (PAL) wider dynamic range compared to conventional cameras.
- High resolution: 650 TV lines
- High sensitivity with Day/Night function: 0.5 lx (Color) at F1.4 (Wide), 0.04 lx (B/W) at F1.4 (Wide). IR cut filter switches on/off to enhance the sensitivity in B/W mode.
- Adaptive Digital Noise Reduction: Integration of 2D-DNR and 3D-DNR ensures noise reduction in various conditions.
- Electronic sensitivity enhancement: Auto (Up to 32x) / Manual (Up to 512x)
- Electronic shutter from 1/100(NTSC), 1/120 (PAL) to 1/10,000 s
- 36x zoom lens: 3.3 ~ 119 mm (approx. 720x with digital zoom)
- Pan/Tilt speed of max. 400°/s at preset mode and 0.065°/s super fine control at manual mode
- 5 degrees upper view for various applications
- 256 preset positions that can be activated from the system controller with a switcher or recorder (specific models).
- Auto tracking: The camera follows the largest movement in the image automatically. The camera will pan and tilt to keep the subject in the center of the image.
- VMD (Video Motion Detector) with Mask 8 x 6 areas
- Scene Change Detection alarms when lens is covered, spray painted, removed or defocused.
- 4 alarm inputs and 2 outputs terminals
- Alarm actions include Terminal output, Camera positioning, Auto pan, Patrol, SEQ, Sort, Auto track, B/W and command output.
- Auto Image Stabilizer for applications where vibration or wind is a concern.
- Internal <NTSC/PAL> / Multiplexed Vertical Drive (VD2) <NTSC> synchronization

- Over the coaxial cable or RS485 data (Panasonic, Pelco P/D Protocol) communication
- 16 alphanumeric camera title display
- Multi language: English, French, Italian, Spanish, German, Russian, Chinese, Japanese

Standard Accessories

- CD-ROM* 1 pc. The following items are for installation.
 - Decorative Cover 1 pc.
 - Dust Protection Sheet 1 pc.

*The CD-ROM contains the operating instructions (PDF).

Optional Accessory

Ceiling Mount Bracket WV-Q105 PAL model only	Embedded Ceiling Mount Bracket WV-Q126	Pendant Mount Bracket WV-Q117	Wall Mount Bracket WV-Q118A /WV-Q118	Smoke Dome Cover WV-CS4S PAL model only

Specifications

TV System	NTSC	PAL
Camera	1/4 type interline transfer CCD	
Image Sensor	976 (H) x 494 (V)	976 (H) x 582 (V)
Effective Pixels	2:1 interlace	
Scanning Mode	3.66 mm(H) x 2.74 mm (V) (5/32"(H) x 3/32"(V))	
Scanning Area	3.66 mm(H) x 2.73 mm (V) (5/32"(H) x 3/32"(V))	
Scanning Frequency	Horizontal: 15.734 kHz Vertical: 59.94 Hz	Horizontal: 15.625 kHz Vertical: 50 Hz
Horizontal Resolution	650 TV lines	
Minimum Illumination	Color (30 IRE): 0.5 lx (SENS UP: OFF), 0.016 lx (SENS UP: 32x) at F1.4 B/W (10 IRE): 0.04 lx (SENS UP: OFF), 0.0013 lx (SENS UP: 32x) at F1.4	
Signal-to-Noise Ratio	52 dB minimum (AGC: OFF)	
White Balance	AWC (2,000 ~ 10,000 K), ATW1 (2,700 ~ 8,000 K), ATW2 (2,400 ~ 8,000 K)	
Light Control	ALC (Adjustable OPEN/CLOSE output target level) / MANUAL	
AGC	ON (LOW, MID, HIGH) / OFF	
Super Dynamic 6	ON / OFF	
Dynamic Range	52 dB typical (Super Dynamic 6 : ON)	54 dB typical (Super Dynamic 6 : ON)
Electronic Shutter	OFF (1/60), AUTO, 1/100, 1/250, 1/500, 1/1,000, 1/2,000, 1/4,000, 1/10,000	OFF (1/50), AUTO, 1/120, 1/250, 1/500, 1/1,000, 1/2,000, 1/4,000, 1/10,000
Electronic Sensitivity UP	32x max. AUTO, 512x max. FIX	
Digital Noise Reduction	High or Low	
Black and White Mode	Auto / ON / OFF	
Scene File	10 patterns (Shutter, AGC, Sens UP, White balance, VMD)	
Scene Select Setting	INDOOR (L) / INDOOR (H) / OUTDOOR (L) / OUTDOOR (H)	
Video Motion Detection	OFF / MOTION DET / SCENE CHANGE	
Privacy Zone	ON / OFF (8 zone settings)	
Auto Image Stabilizer	ON / OFF	
Camera Title	16 alphanumeric characters	
Auto Focus	MANUAL / AUTO (PAN,TILT,ZOOM linked)	
Synchronization	Internal (INT), Multiplexed Vertical Drive (VD2)	Internal (INT)
Lens	Focal Length: 3.3 mm ~ 119 mm	
Zoom Ration	36x (Approx. 720x with digital zoom)	
Zoom Speed	approx. 6.0 seconds (Tele ~ Wide) in manual mode	
Zoom Limit	1x ~ 720x (Over 36x is digital zoom)	
Angular Field of View	H: 1.7° (Tele) ~ 60.2° (Wide), V: 1.3° (Tele) ~ 46.0° (Wide)	
Maximum Aperture Ratio	1:1.4 (Wide) ~ 4.2 (Tele)	
Focusing Range	1.8m (5.9ft.) ~ ∞	
Aperture Range	F1.4 ~ 22, Close	
Pan and Tilt	Panning Range: 360° endless	
Panning Speed *1	Manual: approx. 0.065 °/s ~ 120 °/s, 8 steps, 16 steps, 64 steps, Preset: approx. 400 °/s	
Tilting Range	-5° ~ 185° (horizontal - vertical - horizontal) (According to the TILT ANGLE)	
Tilting Speed *1	Manual: approx. 0.065 °/s ~ 120 °/s, 8 steps, 16 steps, 64 steps, Preset: approx. 400 °/s	
Proportional Pan/Tilt Control	ON / OFF	
Number of Preset Positions	256	
Auto Mode	OFF, SEQ, SORT, AUTO PAN, PATROL, AUTO TRACK	
Auto Track	Standard Auto Track	
Patrol	STOP / PLAY / LEARN	
Image Hold	ON / OFF	
Digital Flip	ON / OFF	
Area Title	8 area titles, 16 characters/area	
Preset Alarm	ON / OFF	
Alarm	Alarm Source: Terminal input, VMD, Command alarm	
Alarm Actions	Preset position 1 ~ 4, PATROL 1 ~ 4, AUTO TRACK 1 ~ 4, SEQ, SORT, AUTO PAN, B/W	
Input / Output	Video Output: 1.0 V [p-p] / NTSC composite 75 / BNC Connector	
Controller Interface	Coaxial Multiplex System, RS485	
External I/O Terminals	4 inputs (ALARM IN 1 ~ ALARM IN 4), 2 outputs (ALARM / AUX1, BW / AUX2)	
General	Setup Method: OSD setup menu	
Password Lock	All menus	
Language	English, Russian, German, French, Italian, Spanish, Portuguese, Chinese, Japanese	
Safety/EMC Standard	UL (6500), FCC (Part15 ClassA), C-UL (E60065)	CE (EN60065, EN55022 ClassB, EN55024), GOST (GOST R 51558)
Power Source and Power Consumption	24 V AC, 60Hz, 4.3W	WV-CS580: 220-240 V AC, 50Hz, 4.6W WV-CS584: 24V AC, 50Hz, 4.3W
Ambient Operating Temperature	-10 °C ~ +50 °C (14 °F ~ 122 °F) *2	
Ambient Operating Humidity	90 % or less (without condensation)	
Dimensions	ø135 x 202 mm (H) (ø5-3/8" x 8")	
Mass (approx.)	1.7 kg (including Decorative Cover)	

*1 Actual speed depends on type of controller being used. *2 When power is on continuously (however, the camera's interior temperature is -10 °C or higher)

Avoid installing this product in the following locations.

- Areas directly exposed to rain and water
- Near a swimming pool or other areas where chemicals are used
- Food preparation areas and other locations where there are large amounts of steam vapour and oil, in flammable atmospheres, other special environments
- Areas where radiation, X-rays, strong electric waves, or magnetism is generated
- At sea, in coastal areas, or in areas where corrosive gas is being generated
- Areas outside of the allowable ambient operating temperature range (-10 °C to +50 °C)
- In a motor vehicle, on a boat, or other areas subject to strong vibration (This camera is not designed for use in a vehicle.)
- Near an air conditioner outlet, near a door that opens up to the outdoors, or any other area subjected to temperature extremes (Such conditions can cause clouding and condensation formation on the dome cover.)at reside on the network.

Trademarks and registered trademarks

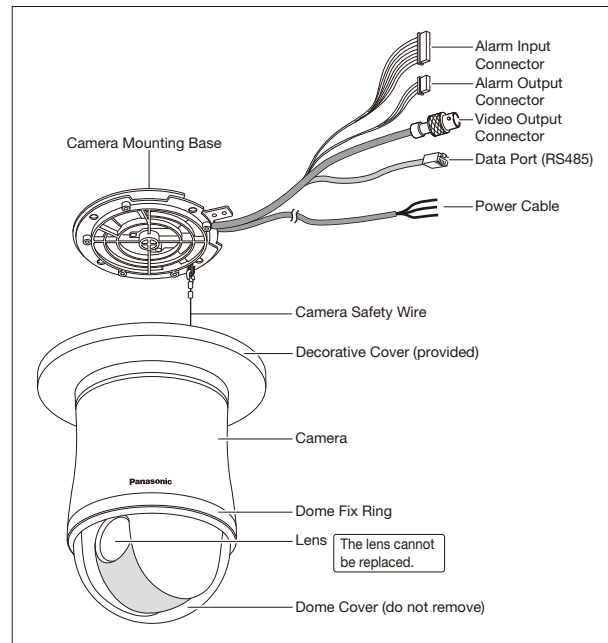
- Microsoft, and Windows are registered trademarks of Microsoft Corporation in the U.S. and other countries.
- "Super Dynamic", "SDII", "SDIII", "SD5", "SD5Link", "SD6", "i-PRO" and "i-PRO SmartHD" logos are trademarks or registered trademarks of Panasonic Corporation.

Important

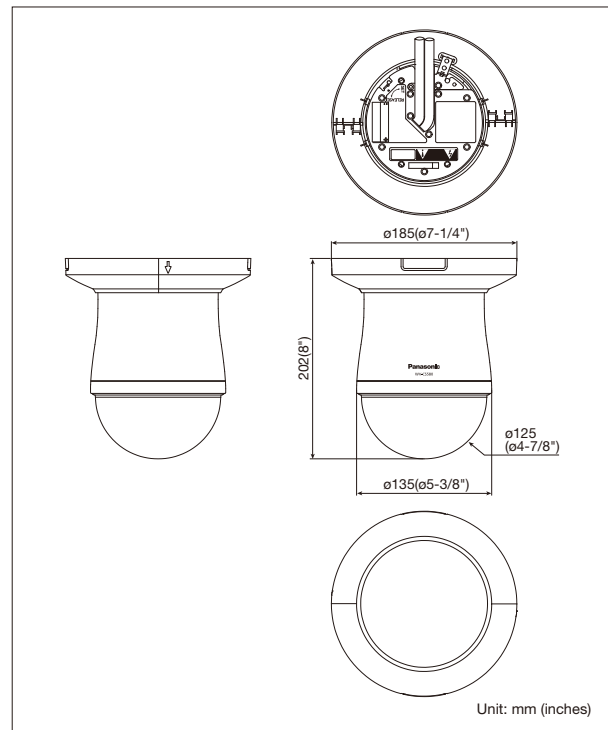
- Safety Precaution: carefully read the operating instructions and installation manual before using this product.
- Panasonic can not be responsible for network performance and/or other manufacturer products that reside on the network.

- All TV pictures are simulated. • Masses and dimensions are approximate. • Specifications are subject to change without notice. • These products may be subject to export control regulations.

Part Names and Functions



Appearance



DISTRIBUTED BY:

Panasonic[®]

<http://panasonic.net/security/>

Printed in Japan (2A-075DL)