



Weather Resistant Day/Night Fixed Camera with IR LED and advanced features

Key Features

- High resolution: 650 TV lines
- High sensitivity with Day/Night function: 0.08 lx (Color), 0 lx, (B/W, LED on) at F1.3. IR cut filter switches on/off to enhance the sensitivity in B/W mode.
- IR LED equipped: The equipped infrared LED makes it possible to take pictures at 0 (zero) lx.
IR LED irradiation distance 50 m
- LED AUTO mode : Control to the best brightness level automatically when the IR LED is ON.
- ABS (Adaptive Black Stretch) enhances visibility of dark area without degrading image quality in bright area.
- ABF (Auto Back Focus) ensures easy installation.
- Various adjustment features including BLC (Back-Light Compensation), ATW (Auto Tracing White Balance) and ALC (Automatic Light Control)
- 2.8 ~ 10 mm 3.6x Varifocal Auto Iris lens
- 16 axis matrix color compensation function enables wider range of natural color adjustment.
- Adaptive Digital Noise Reduction: Integration of 2D-DNR and 3D-DNR ensures noise reduction in various conditions.
- Electronic sensitivity enhancement: Auto (Up to 32x) / Fix (Up to 512x)
- Electronic shutter from 1/100 to 1/120,000 sec.
- Digital zoom: Up to 2x
- Auto Image Stabilizer for applications where vibration or wind is a concern
- Internal synchronization
- Over the coaxial cable data communication
- 16 alphanumeric camera title display
- Multi language: English, French, Italian, Spanish, German, Russian, Chinese, Japanese
- Lens Distortion Correction

- On screen display menu
- ELC mode for easier lens adjustment upon installation
- IP66 rated water and dust resistant. Compatible with IEC60529 measurement standard.

Standard Accessories

Installation Guide.....	1 pc.
Desiccant instruction for use.....	1 pc.
CD-ROM*.....	1 pc.

The following is used during installation procedures:

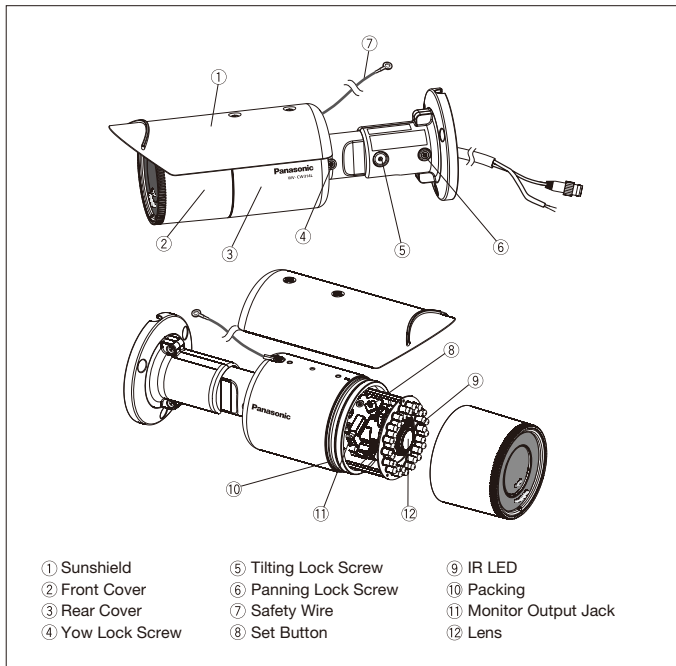
Waterproof tape	1 pc.
Desiccant	1 pc.
Installation template label.....	1 pc.
Spring washer.....	1 pc.

*The CD-ROM contains the operating instructions (PDF).

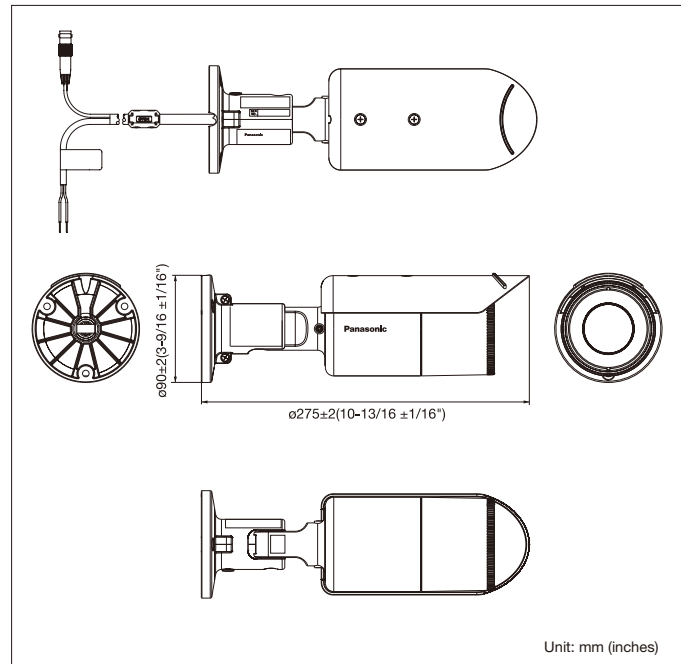
Specifications

Camera	Image Sensor	1/3 type interline transfer CCD
	Effective Pixels	976 (H) x 494 (V)
	Scanning Mode	2:1 interlace
	Scanning Area	4.8 mm (H) x 3.6 mm (V) {3/16 inches(H) x 5/32 inches(V)}
	Scanning Frequency	Horizontal: 15.734 KHz Vertical: 59.94 Hz
	Horizontal Resolution	650 TV lines
	Minimum Illumination	Color : 0.08 lx (0.008 footcandle) (color mode) B/W: 0.008 lx (0.0008 footcandle) (black-and-white mode infrared LED light off) B/W: 0 lx (0 footcandle) (black-and-white mode infrared LED light on)
	Signal-to-Noise Ratio	52 dB (AGC: OFF)
	White Balance	AWC (2,000 ~ 10,000 K), ATW1 (2,700 ~ 6,000 K), ATW2 (2,000 ~ 6,000 K)
	Light Control	ALC/ALC+/ELC
	BLC	ON / OFF
	ABS	ON / OFF
	AGC	ON (LOW, MID, HIGH) / OFF
	Electronic Shutter	OFF(1/60), 1/100, 1/250, 1/500, 1/1000, 1/2000, 1/4000, 1/10000, 1/120000 (s)
	Electronic Sensitivity UP	32x max. AUTO, 512x max. FIX
	Day & Night (IR)	AUTO1 / AUTO2 / ON / OFF
	LED	OFF / AUTO / FIX (available for D&N AUTO2 mode or D&N ON mode)
	Digital Noise Reduction	High or Low
	Scene File	2 patterns
	Video Motion Detection	OFF / MOTION DET / SCENE CHANGE
	Privacy Zone	ON(1) / ON(2) / OFF
	Image Stabilizer	ON / OFF
	Auto Focus	Lens AF / MANUAL
IR LED irradiation distance	50 m {164 feet}	
Synchronization	Internal (INT)	
Lens	Focal Length	2.8 mm ~ 10.0 mm {5/16 inches-13/32 inches}
	Zoom Ration	3.6x
	Angular Field of View	H: 100° 50' (Wide) ~ 27° 39' (Tele) V: 73° 51' (Wide) ~ 20° 45' (Tele)
	Maximum Aperture Ratio	1:1.3(Wide)~1:3.1(Tele)
Input / Output	Focusing Range	0.3 m ~ ∞ {0.98 feet ~ ∞}
	Video Output	1.0 V [p-p] / PAL composite 75 Ω
General	Controller Interface	Coaxial Multiplex System
	Setup Method	OSD setup menu
	Language	English, French, Italian, Spanish, German, Russian, Chinese, Japanese
	Power Source and Power Consumption	24 V AC: 5.2 W, 12 V DC: 560 mA (LED ON)
	Ambient Operating Temperature	-10 °C ~ +50 °C {14 °F ~ 122 °F}
	Ambient Operating Humidity	90 % or less (without condensation)
	Water and Dust Resistance	IP66, IEC60529 measuring standard compatible
	Dimensions	ø79 mm X 245 mm(H) {ø3-7/64 inches x 9-21/32 inches (H)}
	Mass (approx.)	1050 g {2.31 lbs.}
	Finish	Silver (SL23-b2)

Part Names and Functions



Appearance



Important

- Safety Precaution: Carefully read the operating instructions and installation manual before using this product.

- Weights and dimensions are approximate.
- These products may be subject to export control regulations.
- Specifications are subject to change without notice.

DISTRIBUTED BY:

Panasonic

<http://security.panasonic.com>

<http://www.facebook.com/PanasonicNetworkCamera>

Printed in Japan (2A-102AL)