



# Fully Featured, but Compact



High Resolution Vandal-Resistant Flat Camera

## SCV-2010F

The SCV-2010F is equipped with the W-V DSP chipset to provide high resolution images at 600TV lines resolution down to low light levels of just 0.04Lux. With full weatherproof protection to IP66, it can be installed both indoors and outdoors from elevators to building entrances. In addition, Samsung Super Dynamic Range (SSDR) is included as is coaxial control compatibility and a multi-language OSD menu for user convenience. The SCV-2010F will fulfill user's requirements in terms of its functionality and compact design.



- High resolution of 600TV lines
- Min. illumination 0.04Lux@F1.2
- Built-in fixed lens (3mm)
- IP66, Coaxial control, 12V DC

# High Resolution Vandal-Resistant Flat Camera

# SCV-2010F

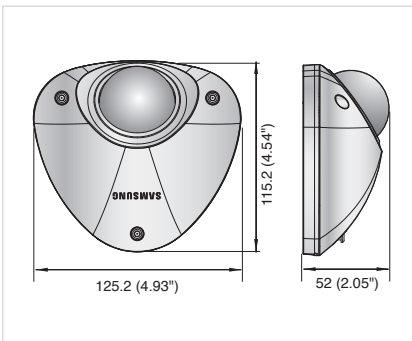


## Specifications

	SCV-2010FN	SCV-2010FP
<b>VIDEO</b>		
Imaging Device	1/3" Super HAD CCD	
Total Pixels	811(H) x 508(V)	795(H) x 596(V)
Effective Pixels	768(H) x 494(V)	752(H) x 582(V)
Scanning System	2 : 1 Interlace	
Synchronization	Internal	
Frequency	H : 15.734KHz / V : 59.94Hz	H : 15.625KHz / V : 50Hz
Horizontal Resolution	Color : 600TV lines	
Min. Illumination	Color : 0.04Lux (Sens-up, 2x)	
S / N Ratio	52dB (AGC off, Weight on)	
Video Output	CVBS : 1.0 Vp-p / 75Ω composite	
<b>LENS</b>		
Focal Length (Zoom Ratio)	3.0mm	
Max. Aperture Ratio	F2.0	
Angular Field of View	H : 89.5° / V : 67.2°	
<b>PAN / TILT</b>		
Pan Range	±10°	
Tilt Range	0° ~ 90°	
<b>OPERATIONAL</b>		
On Screen Display	Multi-language support by coaxial cable English, Japanese, Spanish, French, Portuguese, Taiwanese, Korean	Multi-language support by coaxial cable English, French, German, Spanish, Italian, Chinese, Russian, Polish, Czech, Romanian, Serbian, Swedish, Danish, Turkish, Portuguese
Camera Title	Off / On (Displayed 15 characters)	
Day & Night	Auto (Electrical) / Color / B/W	
Backlight Compensation	BLC / HLC / Off	
Contrast Enhancement	SSDR (Off / On)	
Digital Noise Reduction	SSNR (Off / On)	
Digital Image Stabilization	Off / On	
Motion Detection	Off / On (8 programmable zones)	
Privacy Masking	Off / On (12 programmable zones)	
Sens-up (Frame Integration)	2x ~ 512x	
Gain Control	Low / High / Off	
White Balance	ATW / Outdoor / Indoor / Manual / AWC (1,700K° ~ 11,000K°)	
Electronic Shutter Speed	1/60 ~ 1/120,000sec	1/50 ~ 1/120,000sec
Digital Zoom	Off / On (1x ~ 16x)	
Reverse	H-Rev (Off / On) / V-Rev (Off / On)	
Communication	Coaxial control (SPC-300 compatible)	
Protocol	Coax : Pelco-C (Coaxitron)	
<b>ENVIRONMENTAL</b>		
Operating Temperature / Humidity	-10°C ~ +50°C (+14°F ~ +122°F) / Less than 90% RH	
Ingress Protection	IP66	
<b>ELECTRICAL</b>		
Input Voltage / Current	12V DC ±10%	
Power Consumption	Max. 1.8W	
<b>MECHANICAL</b>		
Color / Material	Ivory / Aluminum, Plastic (Dome cover : Clear)	
Dimensions (WxHxD)	125.2 x 52 x 115.2 mm (4.93" x 2.05" x 4.54")	
Weight	410g (0.9 lb)	

## Dimensions

Unit : mm (inch)



The Eco mark represents Samsung Techwin's will to create environment-friendly products, and indicates that the product satisfies the EU RoHS Directive.

Design and specifications are subject to change without notice.



### SAMSUNG TECHWIN CO., LTD.

701, Sampyeong-dong, Bundang-gu, Seongnam-si, Gyeonggi-do Korea 463-400  
Tel : +82-70-7147-8741 ~ 8749, 8752-8760 Fax : +82-31-8018-3745  
www.samsungsecurity.com www.samsungcctv.com

SAMSUNG TECHWIN AMERICA Inc.  
1480 Charles Willard St, Carson, CA 90746, UNITED STATES  
Tel Free : +1-877-213-1222 Fax : +1-310-632-2195  
www.samsungcctvusa.com

SAMSUNG TECHWIN EUROPE LTD.  
Samsung House, 1000 Hillwood Drive, Hillwood Business Park  
Chertsey, Surrey, UNITED KINGDOM KT16 0PS  
Tel : +44-1932-45-5300 Fax : +44-1932-45-5325

TIANJIN SAMSUNG TECHWIN OPTO-ELECTRONICS CO., LTD.  
No.11 Wei 6 Street, Micro-Electronic Industrial Park  
Jingang Road, Tianjin, P.R. CHINA 300385  
Tel : +86-22-23887788 Fax : +86-22-23887788

■ DISTRIBUTED BY

