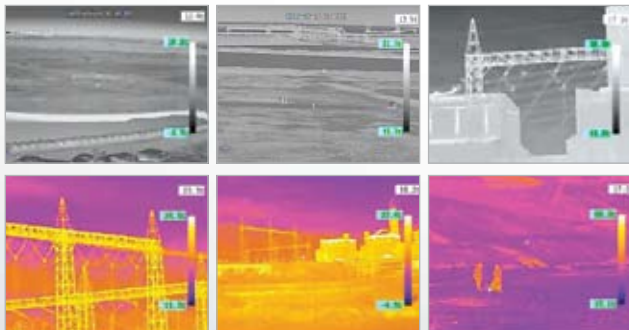


SAMSUNG

# Zero Light Detection



Weatherproof Thermal Camera

## SCB-9060/9080

- Outstanding detection without lighting 360m (SCB-9060), 1.2Km (SCB-9080)
- Built-in 14mm, 1.68mrad (SCB-9060), 50mm, 0.47mrad (SCB-9080)
- Event Alarm, Multi-language OSD, RS-485, IP66, 24VAC

# Weatherproof Thermal Camera

## SCB-9060/9080

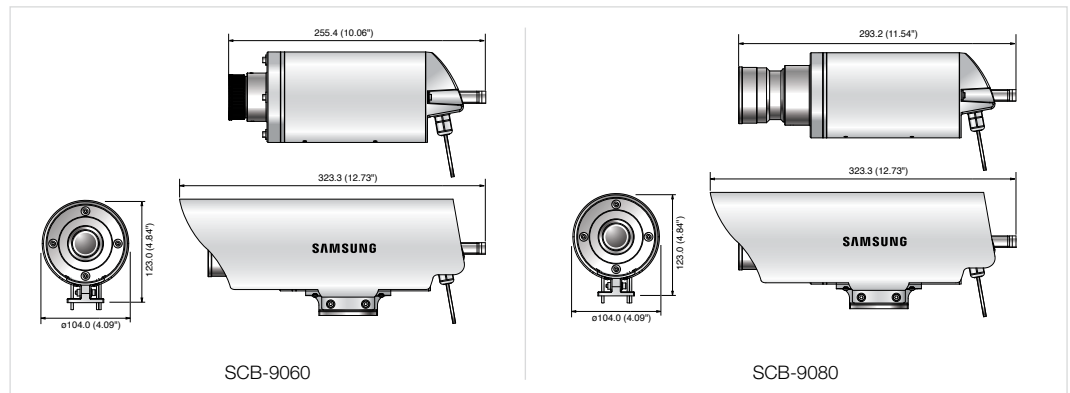


### Specifications

	SCB-9060N/9080N	SCB-9060P/9080P
<b>VIDEO</b>		
Imaging Device	320(H) x 240(H) uncooled VOX microbolometer	
Sensor Pitch	23.5µm	
Measured Wavelength Range	8 ~ 14µm, LWIR	
Video Ratio (Sensor)	30fps	25fps
Thermal Sensitivity	<80mK @ F1.0	
Video Output	CVBS 1.0 Vp-p / 75Ω composite, ITU-656 8bit Digital Output	
<b>LENS</b>		
Focal Length (Zoom Ratio)	14mm (Fixed) : SCB-9060, 50mm (Fixed) : SCB-9080	
Max. Aperture Ratio	1 : 1.4	
Angular Field of View (HxV)	30° x 22.8° : SCB-9060, 8.6° x 6.5° : SCB-9080	
Min. Object Distance	3m ~ ∞, Pan focus : SCB-9060, 27m ~ ∞, Pan focus : SCB-9080	
IFOV (Instantaneous Field of View)	1.68mrad : SCB-9060, 0.47mrad : SCB-9080	
Focus Control	Manual	
<b>OPERATIONAL</b>		
On Screen Display	Multi Language OSD (19 Languages) English, French, German, Spanish, Italian, Portuguese, Russian, Polish, Czech, Serbian, Swedish, Romanian, Danish, Turkish, Korean, Japanese, Chinese, Taiwanese, Thai	
NUC (Non-Uniformity Correction)	Auto / Manual Selectable	
Temperature Range	-40°C ~ +500°C	
Digital AE	Bypass, Min / Max, Weight Mode Selectable	
Brightness	32 Steps Adjustable	
Sharpness	32 Steps Adjustable	
Contrast Enhancement	32 Steps Adjustable	
Digital Noise Reduction	2D / 3D Adaptive DNR, Off / Low / Middle / High Selectable	
Digital Zoom	Off / On, 1.1X ~ 4.0X Selectable	
Temperature Display	Area Adjustable 8 Zone & Position Movable Cross Point	
ISOTherm	Isolated Temperature Display	
Pseudo Color	B/W, W/B, Color1, Color2 Selectable	
Temp Indicator	Min / Max Scene Temperature with Color Bar	
Alarm	Temperature Detection, 1 GPIO Alarm Output	
Communication	RS-485, Coax (Pelco Coaxitron Compatible)	
Protocol	Samsung-T/E, Pelco-P/D, Panasonic, AD, Honeywell, Bosch, Vicon, GE	
<b>ENVIRONMENTAL</b>		
Operating Temperature / Humidity	-30°C ~ +55°C (-22°F ~ +131°F) / Less than 90% RH	
Ingress Protection	IP66	
<b>PHYSICAL</b>		
RoHS Compliant	Yes	
<b>ELECTRICAL</b>		
Input Voltage / Current	24V AC ±10%	
Power Consumption	Max. 10W / 30W (With Heater)	
<b>MECHANICAL</b>		
Color / Material	Ivory / Aluminum	
Dimensions (WxHxD)	104.0 x 123.0 x 323.3 mm (4.09" x 3.54" x 12.72")	
Weight	Approx. 1.6Kg (3.53 lb) : SCB-9060, Approx. 1.8Kg (3.97 lb) : SCB-9080	

### Dimensions

Unit : mm (inch)



SCB-9060

SCB-9080



The Eco mark represents Samsung Techwin's will to create environment-friendly products, and indicates that the product satisfies the EU RoHS Directive.

Design and specifications are subject to change without notice.



#### SAMSUNG TECHWIN CO., LTD.

701, Sampyeong-dong, Bundang-gu, Seongnam-si, Gyeonggi-do Korea 463-400  
Tel : +82-70-7147-8741~8749, 8752~8760 Fax : +82-31-8018-3745  
www.samsungsecurity.com www.samsungcctv.com

#### SAMSUNG TECHWIN AMERICA INC.

100 Challenger Rd. Suite 700 Ridgefield Park, NJ 07660  
Toll Free : +1-877-213-1222 Direct : +1-201-325-6920  
Fax : +1-201-373-0124  
www.samsungcctvusa.com

#### SAMSUNG TECHWIN EUROPE LTD.

Samsung House, 1000 Hillwood Drive, Hillwood Business Park  
Chertsey, Surrey, UNITED KINGDOM KT16 0PS  
Tel : +44-1932-45-5300 Fax : +44-1932-45-5325

#### TIANJIN SAMSUNG TECHWIN OPTO-ELECTRONICS CO., LTD.

No.11 Wei 6 Street, Micro-Electronic Industrial Park  
Jingang Road, Tianjin, P.R. CHINA 300385  
Tel : +86-22-23887788 Fax : +86-22-23887788

■ DISTRIBUTED BY

