

Beyond Clarity

1.3M HD Network Camera



1.3Megapixel HD Network Vandal-Resistant Flat Camera

SNV-5010

The fully ONVIF compliant SNV-5010 is a high performance HD megapixel network camera capable of displaying multiple resolutions from CIF (320 x 240) through to 16:9 format 720p High Definition and up to full 1.3 megapixel (1280 x 1024). These resolutions have the ability to be transmitted simultaneously, allowing the most relevant stream to be transmitted to your viewing or recording device. In addition, the SNV-5010 supports multiple H.264 / MPEG-4 / JPEG codecs to provide both a real-time monitoring and high quality recording solution. The SNV-5010 is compact enough to fit in one hand and its low-profile design allows it to seamlessly fit into any environment.

- Max. 1.3M (1280 x 1024) resolution
- 16:9 HD (720p) resolution support
- Built-in 3mm fixed lens
- H.264 / MPEG-4 / MJPEG multiple codecs
- PoE, IP66

1.3Megapixel HD Network Vandal-Resistant Flat Camera

SNV-5010



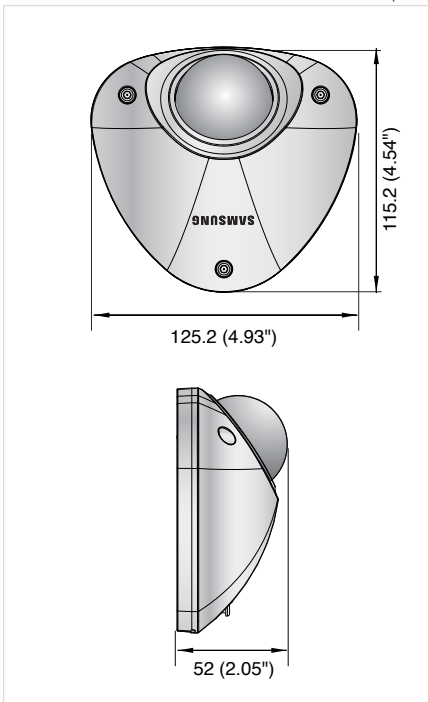
Specifications



SNV-5010N/P	
VIDEO	
Imaging Device	1/3" 1.3M PS CMOS
Total Pixels	1,384(H) x 1,076(V)
Effective Pixels	1,329(H) x 1,049(V)
Scanning System	Progressive
Min. Illumination	Color : 1Lux (F1.8, 50IRE), 0.016Lux (Sens-up 60x)
S / N Ratio	50dB
Video Output	DIP connector
LENS	
Focal Length (Zoom Ratio)	3mm
Max. Aperture Ratio	F1.8
Angular Field of View	H : 91.2°, V : 72.3°
Lens Type	Fixed iris
Mount Type	Board type
PAN / TILT / ROTATE	
Pan Range	-10° ~ 10°
Tilt Range	0° ~ 90°
OPERATIONAL	
On Screen Display	English, French, German, Spanish, Italian, Chinese, Korean, Russian, Japanese, Swedish, Danish, Portuguese
Camera Title	Off / On (Displayed up to 15 characters)
Backlight Compensation	Off / BLC / HLC
Contrast Enhancement	SSDR (Samsung Super Dynamic Range) (Off / On)
Digital Noise Reduction	SSNRIII (2D+3D noise filter) (Off / On)
Motion Detection	Off / On (4 Programmable zones)
Privacy Masking	Off / On (12 Programmable zones)
Sens-up (Frame Integration)	Off / Auto (2x ~ 60x)
Gain Control	Off / Low / Medium / High / Manual
White Balance	ATW / AWC / Manual / Indoor / Outdoor
Electronic Shutter Speed	Auto / A.FLK / Manual (1/30 ~ 30,000sec)
Flip / Mirror	Off / On
Intelligent Video Analytics	Scene change, Virtual line, Enter / Exit, Appear / Disappear
NETWORK	
Ethernet	RJ-45 (10/100BASE-T)
Video Compression Format	H.264, MPEG-4, MJPEG
Resolution	1280 x 1024, 1280 x 720p (HD), 800 x 600, 640 x 480, 320 x 240
Max. Framerate	H.264, MJPEG : 30fps, MPEG-4 : 25fps (1280 x 1024), 30fps (720P HD)
Video Quality Adjustment	H.264 / MPEG-4 : Compression level, Target bitrate level control MJPEG : Quality level control
Bitrate Control Method	H.264/MPEG-4 : CBR, CVBR, MJPEG : CVBR
Streaming Capability	Multiple streaming (Up to 10 profiles)
IP	IPv4, IPv6
Protocol	TCP/IP, UDP/IP, RTP(UDP), RTP(TCP), RTSP, NTP, HTTP, HTTPS, SSL, DHCP, PPPoE FTP, SMTP, ICMP, IGMP, SNMPv1/v2c/v3(MIB-2), ARP, DNS, DDNS HTTPS(SSL) Login Authentication, Digest Login Authentication
Security	IP Address Filtering, User access Log, 802.1x authentication
Streaming Method	Unicast / Multicast
Max. User Access	10 users at unicast mode
ONVIF Conformance	Yes (v.1.02)
Web Language	English, French, German, Spanish, Italian, Chinese, Korean, Russian, Japanese, Swedish, Danish, Portuguese, Turkish, Polish, Czech, Rumanian, Serbian, Dutch, Croatia, Hungary, Greek
Web Viewer	Supported OS : Windows XP / VISTA / 7, MAC OS Supported Browser : Internet Explorer 7.0 or Higher, Firefox, Google Chrome, Apple Safari
Central Management Software	NET-i viewer
ENVIRONMENTAL	
Operating Temperature / Humidity	-10°C ~ +50°C (-14°F ~ +122°F) / 20% ~ 80% RH
Ingress Protection	IP66 Grade (Waterproof)
ELECTRICAL	
Input Voltage / Current	12V DC, PoE (IEEE802.3af)
Power Consumption	Max. 6W
MECHANICAL	
Color / Material	Ivory / Aluminum
Dimensions (WxHxD)	125.2 x 52 x 115.2mm (4.93" x 2.05" x 4.54")
Weight	435g (0.96 lb)

Dimensions

Unit : mm (inch)



The Eco mark represents Samsung Techwin's will to create environment-friendly products and indicates that the product satisfies the EU RoHS Directive.

Design and specifications are subject to change without notice.



SAMSUNG TECHWIN CO., LTD.

701, Sampyeong-dong, Bundang-gu, Seongnam-si, Gyeonggi-do Korea 463-400
Tel : +82-70-7147-8741~8749, 8752~8760 Fax : +82-31-8018-3745
www.samsungipolis.com www.samsungsecurity.com

SAMSUNG TECHWIN AMERICA INC.

100 Challenger Rd. Suite 700 Ridgefield Park, NJ 07660
Toll Free : +1-877-213-1222 Direct : +1-201-325-6920
Fax : +1-201-373-0124
www.samsungcctvusa.com

SAMSUNG TECHWIN EUROPE LTD.

Samsung House, 1000 Hillwood Drive, Hillwood Business Park
Chertsey, Surrey, UNITED KINGDOM KT16 0PS
Tel : +44-1932-45-5300 Fax : +44-1932-45-5325

TIANJIN SAMSUNG TECHWIN OPTO-ELECTRONICS CO., LTD.

No.11 Wei 6 Street, Micro-Electronic Industrial Park
Jingang Road, Tianjin, P.R. CHINA 300385
Tel : +86-22-23887788 Fax : +86-22-23887788

■ DISTRIBUTED BY

