

Product Highlights

High-speed ADSL2+ Internet Connection

Latest ADSL2+ standard provides Internet transmission of up to 24 Mbps downstream and up to 2 Mbps upstream

All-in-one Single Box Solution

Built-in ADSL modem, Ethernet and USB port, QoS and firewall protection, all in one single palm-sized box

Total Compatibility & Ease of Use

Works with all major Internet Service Providers, and simple to install, allowing you to get connected right away



DSL-526E

ADSL2+ Ethernet/USB Combo Router

Features

Connectivity

- Built-in ADSL2+ modem for connecting to your high-speed broadband Internet connection
- One 10/100 BASE-TX MDI/MDIX RJ-45 port to connect wired devices for high-speed online activities
- USB 1.1 port to connect to PC directly to use as USB ADSL 2+ Modem

Security

- Dual-active firewall (NAT/SPI) to control traffic and prevent exploits and intrusions

Ease of Use

- Intuitive setup wizard to speed up initial configuration
- Web-based browser setup and configuration

Advanced Features

- QoS technology
- VPN passthrough

Traffic Shaping

- PVC/VLAN port mapping (bridge mode)
- IGMP snooping 32 multicast groups

The DSL-526E ADSL2+ Ethernet/USB Combo Router connects your computer to the Internet using an integrated high-speed ADSL2+ interface. It provides a NAT and an SPI firewall to protect your computer from attacks over the Internet, and QoS functions to prioritize important traffic for smooth online gaming, streaming movies and music, making Internet phone calls, and downloading files. Multiple computers can also share the high-speed Internet connection using the router's built-in DHCP server and NAT functions, via an externally connected Ethernet switch, allowing you to connect every computer in your home or office.

High-speed ADSL Performance

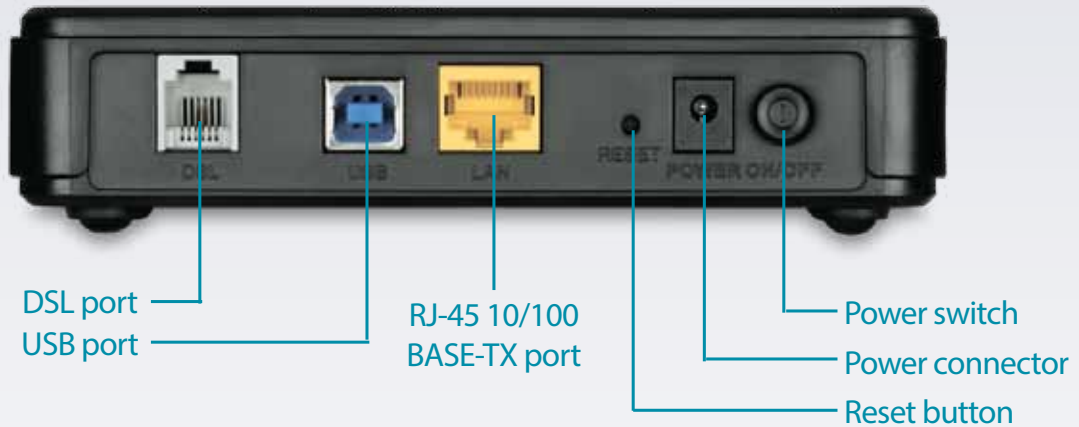
The DSL-526E ADSL2+ Ethernet/USB Combo Router connects your computer to the Internet using high-speed ADSL2+ standards with speeds of up to 24 Mbps downstream and 2 Mbps upstream. Watch TV on the Internet, stream live music, or experience clear Internet phone calls. Graphic-intensive web pages will load in a snap, and you won't have to wait too long when downloading or uploading large files.

Secure Firewall Protection

The DSL-526E includes security features which prevent unauthorized access to the home and office network. The router provides firewall security using Stateful Packet Inspection (SPI) and denial of service (DoS) attack protection. SPI inspects the contents of all incoming packet headers before deciding what packets are allowed to pass through, and access control is provided with packet filtering based on port and source/destination MAC/IP addresses, allowing you to use the Internet without worries.

Quality of Service

With Quality of Service (QoS), the DSL-526E supports multiple priority queues to enable a group of home or office users to experience the benefit of smooth network connection of inbound and outbound data without the concern of traffic congestion. QoS allows users to enjoy high-performance VoIP, streaming multimedia and online gaming.



Technical Specifications

General

Device Interfaces	<ul style="list-style-type: none"> • RJ-11 ADSL port • USB 1.1 port • Factory reset button 	<ul style="list-style-type: none"> • RJ-45 10/100 BASE-TX Ethernet LAN port with auto MDI/MDIX
ADSL Standards	<ul style="list-style-type: none"> • Full-rate ANSI T1.413 Issue 2 • ITU-T G.992.2 (G.lite) Annex A 	<ul style="list-style-type: none"> • ITU-T G.992.1 (G.dmt) Annex A • ITU-T G.994.1 (G.hs)
ADSL2 Standards	<ul style="list-style-type: none"> • ITU-T G.992.3 (G.dmt.bis) Annex A/L/M • Annex M compatible: up to 2 Mbps upstream 	<ul style="list-style-type: none"> • ITU-T G.992.4 (G.lite.bis) Annex A
ADSL2+ Standards	<ul style="list-style-type: none"> • ITU-T G.992.5 Annex A/M 	
LEDs	<ul style="list-style-type: none"> • Power • DSL Link/Activity 	<ul style="list-style-type: none"> • Status (optional) • Ethernet Link/Activity

Functionality

ATM/PPP Protocols	<ul style="list-style-type: none"> • Multiple protocol encapsulation over AAL5 • Logical Link Control (LLC) encapsulation • RFC 1483, RFC 2684 • ATM Forum UNI3.1/4.0 PVC up to 8 PVCs • ATM Cell Format ITU-T Rec. I.361 • ITU-T I.610 OAM Principles & Functions include F4/F5 loopback • PPP over ATM RFC 2364 • PPP over Link Control Protocol (LCP) RFC 1661 • PPP Authentication Protocol (PAP) RFC 1334 • Microsoft PPP CHAP extensions RFC 2433 	<ul style="list-style-type: none"> • Bridged and routed Ethernet encapsulation • VC-based multiplexing • MAC Encapsulated Routing RFC 1483 MER • Multiple services, PPPoE, bridge, MER over single PVC (optional) • ATM Adaptation Layer Type 5 (AAL5) • ATM QoS (Traffic Shaping) UBR, CBR, rt-VBR, nrt-VBR • PPP over Ethernet RFC 2516 • Internet Protocol Control Protocol (IPCP) RFC 1332 • PPP Challenge Handshake Authentication Protocol (CHAP) RFC 1994
Network Protocols	<ul style="list-style-type: none"> • Ethernet to ADSL Self-Learning Transparent Bridging • IP Static Routing • Network Address Translation (NAT) RFC 1631 • NAT ALGs (optional): MSN/AOL/Yahoo Messenger, FTP, SNMP, CUUSEEME, Real Audio, MIRC, SIP, ICQ, games • DNS Relay, DDNS • Simple Network Time Protocol (SNTP) 	<ul style="list-style-type: none"> • Internet Control Message Protocol (ICMP) RFC 792 • Routing Information Protocol (RIP, RIP v2) RFC 1058, RFC 1723 • Virtual Server, Port Forwarding • DHCP server/client/relay RFC 2131 • IGMP proxy v.3 supported
Firewall	<ul style="list-style-type: none"> • NAT firewall • Packet filtering IP/ICMP/TCP/UDP • Domain blocking • Denial of Service prevention (DoS) • System/Log • DMZ 	<ul style="list-style-type: none"> • MAC filtering • URL content filtering (keyword filtering) • Stateful Packet Inspection (SPI) • Intrusion detection • User authentication PAP RFC 1334 • User authentication CHAP RFC 1994
VPN	<ul style="list-style-type: none"> • IPSec/PPTP/L2TP passthrough 	

DSL-526E ADSL2+ Ethernet/USB Combo Router

QoS	<ul style="list-style-type: none"> Traffic prioritization/classification 802.1p (8 queues) Application port-based priority 4 priority queues per PVC 	<ul style="list-style-type: none"> Port-based priority Diffserv TOS User-defined priority (TCP/UDP/ICMP)
Traffic Shaping	<ul style="list-style-type: none"> PVC/VLAN port mapping (bridge mode) 	<ul style="list-style-type: none"> IGMP snooping 32 multicast groups
Configuration/Management	<ul style="list-style-type: none"> Web-based GUI TFTP server/client ADSL/ADSL2/ADSL2+ manual selection and auto fallback Diagnostics RFC 1213, RFC 2662 	<ul style="list-style-type: none"> Web-based/TFTP firmware/configuration upgrade Code Lock to prevent improper firmware upgrade through UI, TFTP, TR-069 Configuration backup and restore Log & Trace function
Physical		
Dimensions	<ul style="list-style-type: none"> 139 x 106 x 30 mm (5.47 x 4.17 x 1.18 inches) 	
Weight	<ul style="list-style-type: none"> 196.8 grams (0.43 lbs) 	
Power Supply	<ul style="list-style-type: none"> 12 V DC/0.5 A switching power adapter 	<ul style="list-style-type: none"> Dying Gasp (optional)
Temperature	<ul style="list-style-type: none"> Operating: 0 to 40 °C (32 to 104 °F) 	<ul style="list-style-type: none"> Storage: -20 to 70 °C (-4 to 158 °F)
Humidity	<ul style="list-style-type: none"> 5% to 95% non-condensing 	
EMC Certification	<ul style="list-style-type: none"> CE 	
Telecom Certification	<ul style="list-style-type: none"> CE TBR-21 A-Tick 	<ul style="list-style-type: none"> FCC Part 68
Safety Certification	<ul style="list-style-type: none"> CE 	<ul style="list-style-type: none"> C-Tick
Order Information		
<i>Part Number</i>	<i>Description</i>	
DSL-526E	ADSL2+ Ethernet/USB Combo Router	

Updated 2013/06/20