

XNO-8020R/8030R/8040R

5M Network IR Bullet Camera

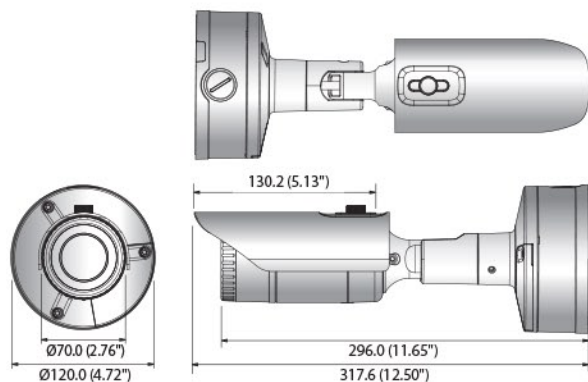


Key Features

- Max. 5 megapixel (2560 x 1920) resolution
- Built-in 3.7mm fixed lens (XNO-8020R)
4.6mm fixed lens (XNO-8030R)
7mm fixed lens (XNO-8040R)
- Max. 30fps@all resolutions (H.265/H.264)
- H.265, H.264, MJPEG codec supported, Multiple streaming
- Day & Night (ICR), WDR (120dB), Defog
- Loitering, Directional detection, Fog detection, Audio detection, Digital auto tracking, Sound classification, Heatmap, People counting, Queue management, Tampering
- Motion detection, Handover
- SD/SDHC/SDXC memory slot (Max. 512GB), PoE / 12V DC
- Hallway view, WiseStream II support
- IR viewable length 30m, IP67/IP66, NEMA 4X, IK10
- LDC support (Lens Distortion Correction)

Dimensions

Unit: mm (inch)



Accessories (Optional)



SBP-302PM

XNO-8020R/8030R/8040R

VIDEO	
Imaging Device	1/1.8" 6M CMOS
Total Pixels	3,096(H) x 2,094(V)
Effective Pixels	2,616(H) x 1,976(V)
Scanning System	Progressive Scan
Min. Illumination	Color: 0.16Lux (F1.6, 1/30sec), B/W: 0Lux (IR LED on)
S / N Ratio	50dB
Video Out	CVBS: 1.0Vpp / 75Ω composite, 720 x 480(N), 720 x 576(P), for installation USB: micro USB type B, 1280 x 720 for installation
LENS	
Focal Length (Zoom Ratio)	3.7mm fixed (XNO-8020R), 4.6mm fixed (XNO-8030R), 7mm fixed (XNO-8040R)
Max. Aperture Ratio	F1.6
Angular Field of View	H: 97.5° / V: 71.9° / D: 126.2° (XNO-8020R), H: 77.9° / V: 57.9° / D: 98.7° (XNO-8030R), H: 50.7° / V: 37.8° / D: 63.8° (XNO-8040R)
Min. Object Distance	0.4m (1.31ft)
Focus Control	Manual
Lens / Mount Type	Fixed / Board-in type
OPERATIONAL	
IR Viewable Length	30m (98.43ft)
Camera Title	Off / On (Displayed up to 85 characters) - W/W: English / Numeric / Special characters - China: English / Numeric / Special / Chinese characters - Common: Multi-line (Max. 5), Color (Grey / Green / Red / Blue / Black / White), Transparency, Auto scale by resolution
Day & Night	Auto (ICR) / Color / B/W / External / Schedule
Backlight Compensation	Off / BLC / HLC (Masking / Dimming), WDR
Wide Dynamic Range	120dB
Contrast Enhancement	SSDR (Off / On)
Digital Noise Reduction	SSNRV (2D+3D noise filter) (Off / On)
Digital Image Stabilization	Off / On
Defog	Off / Auto (Input from fog detection) / Manual
Motion Detection	Off / On (8ea, 8point polygonal zones), Handover
Privacy Masking	Off / On (32ea, Polygonal) - Color: Grey / Green / Red / Blue / Black / White, Mosaic
Gain Control	Off / Low / Middle / High
White Balance	ATW / AWC / Manual / Indoor / Outdoor (Included mercury & Sodium)
Contrast	Level adjustment
LDC (Lens Distortion Correction)	Off / On (5 levels with min / max)
Electronic Shutter Speed	Minimum / Maximum / Anti flicker (2 ~ 1/12,000sec)
Digital PTZ	24x, Digital PTZ (Preset, Group)
Flip / Mirror	Off / On, Hallway view: 90°/270°
Video & Audio Analytics	Tampering, Loitering, Directional detection, Defocus detection, Fog detection, Virtual line, Enter / Exit, (Dis)Appear, Audio detection, Face detection, Motion detection, Digital auto tracking, Sound classification, Heatmap, People counting, Queue management
Alarm I/O	Input 1ea / Output 1ea
Alarm Triggers	Alarm input, Motion detection, Video & Audio analytics, Network disconnect
Alarm Events	File upload via FTP, E-mail, Notification via E-mail, Local storage (SD/SDHC/ SDXC) or NAS recording at event triggers, External output, DPTZ preset
Pixel Counter	Support
NETWORK	
Ethernet	RJ-45 (10/100BASE-T)
Video Compression Format	H.265 / H.264 (MPEG-4 part 10/AVC): Main / Baseline / High, MJPEG
Resolution	2560 x 1920, 2560 x 1440, 1920 x 1080, 1600 x 1200, 1280 x 1024, 1280 x 960, 1280 x 720, 1024 x 768, 800 x 600, 800 x 448, 720 x 576, 720 x 480, 640 x 480, 640 x 360, 320 x 240
Max. Framerate	H.265 / H.264: Max. 30fps at all resolutions, MJPEG: Max. 30fps
Smart Codec	Manual mode (Area-based: 5ea)
WiseStream II	Support
Video Quality Adjustment	H.265 / H.264: Target bitrate level control, MJPEG: Target bitrate level control
Bitrate Control Method	H.265 / H.264: CBR or VBR, MJPEG: VBR
Streaming Capability	Multiple streaming (Up to 10 profiles)
Audio In	Selectable (Mic in / Line in), Supply voltage: 2.5V DC (4mA), Input impedance: approx. 2K Ohm
Audio Out	Line out, Max output level: 1Vrms
Audio Compression Format	G.711 u-law/G.726 selectable, G.726 (ADPCM) 8KHz, G.711 8KHz
Audio Communication	G.726: 16Kbps, 24Kbps, 32Kbps, 40Kbps, AAC-LC: 48Kbps at 8/16/32/48KHz
IP	Bi-directional (2-way)
Protocol	IPv4, IPv6
Security	TCP/IP, UDP/IP, RTP (UDP), RTP (TCP), RTCP, RTSP, NTP, HTTP, HTTPS, SSL/TLS, DHCP, PPPoE, FTP, SMTP, ICMP, IGMP, SNMPv1/v2c/v3(MIB-2), ARP, DNS, DDNS, QoS, PIM-SM, UPnP, Bonjour HTTPS (SSL) login authentication, Digest login authentication
Streaming Method	IP address filtering, User access log, 802.1X authentication (EAP-TLS, EAP-LEAP)
Max. User Access	Unicast / Multicast 20 users at unicast mode
Edge Storage	SD/SDHC/SDXC 2slot (Up to 512GB) - Continuous recording (1st slot to 2nd slot) NAS (Network Attached Storage), Local PC for instant recording
Application Programming Interface	ONVIF profile S/G, SUNAPI (HTTP API), Wisenet Open Platform
Webpage Language	English, Korean, Chinese, French, Italian, Spanish, German, Japanese, Russian, Swedish, Portuguese, Czech, Polish, Turkish, Dutch, Hungarian, Greek
Web Viewer	Supported OS: Windows 7, 8.1, 10, Mac OS X 10.10, 10.11, 10.12 Non-plugin Webviewer - Supported Browser: Google Chrome 54, MS Edge 38, Mozilla Firefox 49 (Window 64bit only), Apple Safari 9 * Mac OS X only Plug-in Webviewer - Supported Browser: MS Explore 11, Apple Safari 9 * Mac OS X only
Central Management Software	SmartViewer, SSM
ENVIRONMENTAL	
Operating Temperature / Humidity	-30°C ~ +55°C (-22°F ~ +131°F) / Less than 90% RH * Start up should be done at above -20°C (-4°F)
Storage Temperature / Humidity	-50°C ~ +60°C (-58°F ~ +140°F) / Less than 90% RH
Ingress Protection / Vandal Resistance	IP67, IP66, NEMA 4X / IK10
ELECTRICAL	
Input Voltage / Current	12V DC ±10%, PoE (IEEE802.3af)
Power Consumption	Max. 9.3W (1.2VDC), Max. 10.3W (PoE)
MECHANICAL	
Color / Material	Dark gray / Aluminum
Dimensions (WxH)	Ø70.0 x 296.0mm (Ø4.72" x 11.65") (Without sunshield)
Weight	1.22Kg (2.69lb)

* Design and specifications are subject to change without notice.