

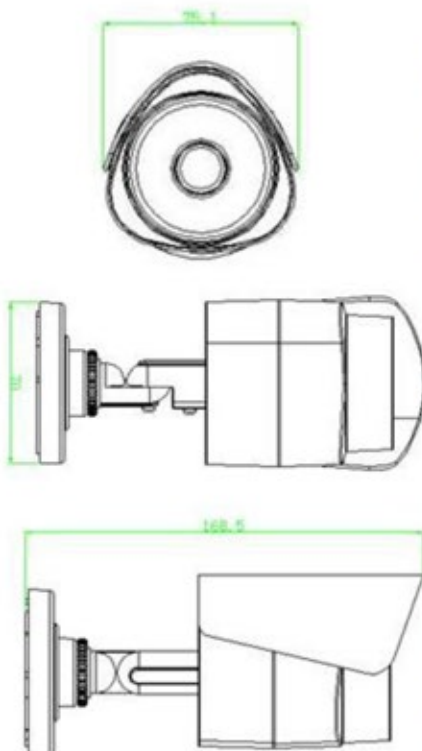
## XC4331 – 1080p 4in1 Weatherproof IR Camera



### Features

- Economical
- 2 Megapixel CMOS Sensor
- Output select :  
1080p TVI / AHD / CVI or  
700TVL Analog output
- Output type select by Push Button
- 300m cable distance by RG6
- 3.6mm Fixed Lens
- 3D-DNR
- TDN (True Day & Night) or  
Filter Change
- 36pcs IR LED, 0 Lux up to 20m
- Wall/Ceiling Mount
- Metal Casing

### DIMENSION



### SPECIFICATION

Model	XC4331
Image Sensor	2MP CMOS Sensor
Resolution	1080p, 1920x1080 Pixels
Shuttle	1/25s ~ 1/50,000s
Lens	M12 3.6mm Fixed Lens
Video Output	1080p@25fps TVI / AHD / CVI
Day & Night	Filter Change or True Day&Night (TDN)
Minimum Illumination	0 Lux up to 20m
LEDs	36nos $\phi$ 5 850nm IR LEDs
S/N Ratio	>52 DB
Casing	Aluminum with Epoxy Powder Coating
Working Environment	-20° ~ +60°C, Non-Condensing
Power	12VDC, Max. 400mA
Dimension (mm)	70mm( $\phi$ ) x 170mm(L), 360g

\* Specification maybe changed without prior notice