

TC435-S23 – 23X 1080p TVI Indoor Speedome



Speedome Function

- 3D Positioning
- Power-Off Memory
- Scheduled PTZ movement
- Park Action

Features

Camera

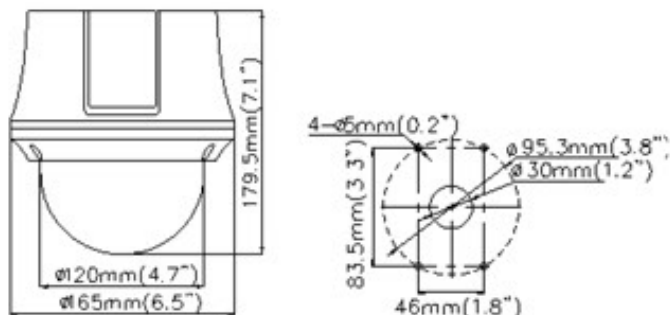
- 1/3" High Performance CMOS Sensor
- 1080p TVI & Analog output
- 23x Optical Zoom
- Auto-Iris, Auto-Focus
- 3D-DNR, Digital WDR, Privacy Mask
- 16X Digital Zoom
- Day & Night by Filter Change
- 0.1 Lux Color / 0.01 Lux BW
- 2nd Video CVBs out

Hardware

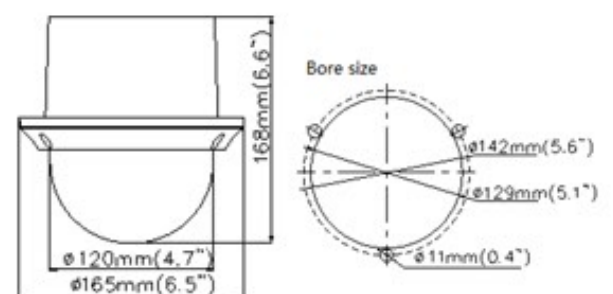
- Weatherproof IP66
- Temperature Sensor
- RS485 & UTC Control
- 360° Continuous Pan
- Max 160°/s Pan Speed
- Max 120°/s Tilt Speed
- 256 Programmable Presets
- 8 Tour (up to 32 presets each)
- 4 Pattern (up to 10min each)
- 2 Alarm In / 1 Alarm out
- 4KV Lightning Surge Protection
- 24VAC (adapter inc.)

Dimension

Indoor



In-ceiling



* Specification maybe changed without prior notice

TVI Speedome Camera



SPECIFICATION

	Model	TC435-S23
Camera	Image Sensor	1/3" Progressive Scan CMOS Sensor
	Pixels	1920x1080
	Horizontal Resolution	1100 TVL
	Min. Illumination	0.05 Lux Color / 0.01 Lux BW (F1.6, AGC On)
	S/N Ratio	> 50dB
	Shuttle	1/25 ~ 1/10,000 @50Hz
	Day & Night	Filter Change or TDN (True Day & Night)
	Privacy Masking	Up to 8 Zones, Multiple color and mosaics option
	Lens	Focal Length
Aperture		F1.6 ~ F3.7
Min Working Distance		10~1000mm
Mechanism	Pan Speed	1~160°/s Manual & Preset
	Tilt Speed	1~120°/s Manual & Preset
	Proportional Zoom	Yes
	Presets	256
	Tour	8 Tour (Each with max. 32 Presets)
	Pattern	4 Pattern, up to 10min each
	Park Action	Tour, Scan, Presets, Pattern
	Scheduled Action	Tour, Scan, Presets, Pattern
General	UTC/RS485 Protocol	Pelco-D, Pelco-P
	Working Temperature	-30° ~ +65°C
	Humidity	<90° Humidity (Non-Condensing)
	Protection	IP66, 4KV surge protection
	Power	24VAC, Max. 12W
	Dimension	165mm(φ) x 168mm(H)
	Weight	4kg

* Specification maybe changed without prior notice