

The EK Liquid Line filter drier is a premium compacted bead filter drier with a 20 micron outlet pad for maximum filtration. The EK is a premium universal replacement liquid line filter drier for CFC, HCFC and HFC refrigerants including R-12, R-134a, R-22, R-404A, R-407C, R-410A, R-500, R-502, and R-507.



## Features

- Filtration first for more effective use of surface area of desiccant
- High moisture and acid removal capacity
- Solid copper connections
- Corrosion resistant epoxy powder paint finish
- Approved for POE oils with Copeland™ compressors
- Shock resistant steel shell construction

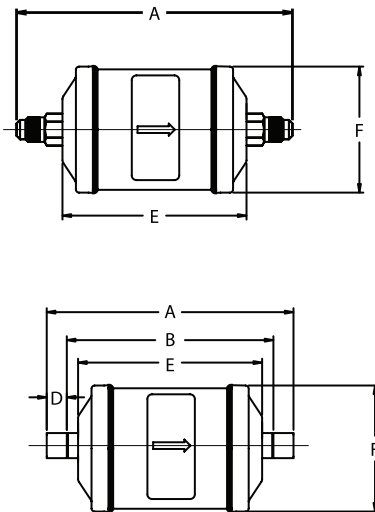
## Specifications

- Desiccant blend - optimized for high water capacity and acid capacity
- Filtration: 20 microns
- Maximum working pressure: 680 psig
- UL/CUL file number: SA 3124

## Nomenclature example: EK-083S

EK	08	3	S
Drier Series	Unit Size (in cu. in.)	Connection Size (in 1/8")	S = ODF connections (omit for SAE)

## Dimensional Data



## Ordering Information

PCN	Description	Dimensions (in)				Weight (lbs)
		A	B	D	F	
060009	EK 032	4.38				0.48
060012	EK 032S	3.83	2.71	0.56		
060011	EK 032FM	3.92			2.57	
060010	EK 032MF	3.92				
060013	EK 033	4.69			1.75	
060014	EK 033S	4.03	2.79	0.62		1.04
047601	EK 052	4.83			3.02	
057013	EK 052MF	4.37				
047602	EK 052S	4.15	3.46	0.35		
047603	EK 053	5.14			3.02	
047604	EK 053S	4.48	3.24	0.62		1.23
047605	EK 082	5.64				
047606	EK 082S	4.96	4.27	0.35		
049551	EK 0825S	5.01	4.37	0.32		
056906	EK 083MF	5.70			3.83	
047607	EK 083	5.95			3.83	
047608	EK 083S	5.29	4.05	0.62		
047609	EK 084	6.17				
047610	EK 084S	5.33	4.07	0.63	2.64	
047611	EK162	6.58				
047612	EK 162S	5.90	5.21	0.35		1.49
056045	EK 1625S	5.95	5.31	0.32		
047613	EK 163	6.89				
047614	EK 163S	6.24	5.43	0.40		
047615	EK 164	7.11			4.77	
047616	EK 164S	6.33	5.33	0.50		
047617	EK 165	7.57				
047618	EK 165S	6.55	5.30	0.63		
047619	EK 167S	7.13	5.63	0.75		
048210	EK 303	9.66				
048211	EK 303S	9.01	8.21	0.40		3.01
048212	EK 304	9.88				
048213	EK 304S	9.10	8.10	0.50		
048214	EK 305	10.34			7.54	
048215	EK 305S	9.32	8.07	0.63		
048216	EK 306S	9.73	8.48	0.63		
048217	EK 307S	9.90	8.40	0.75		
048218	EK 309S	10.26	8.45	0.90		
048219	EK 413	9.79				
048220	EK 414	10.01				
048221	EK 414S	9.23	8.23	0.50		3.35
048222	EK 415	10.47		-	7.67	
048223	EK 415S	9.45	8.20	0.63		
048224	EK 417S	10.03	8.53	0.75		
048225	EK 419S	10.39	8.58	0.91		
048228	EK 757S	15.25	14.02	0.61		
048229	EK 759S	15.88	14.07	0.91	13.16	
					3.64	
					6.14	