

Close Coupled Pump



Features & Benefits

The BGF series pumps are renowned for their light weight, portable design. It's contain a cast iron pump casing, brass impeller, and aluminium motor housing. Twin impeller designed which is ideal for fire-fighting system and water transfer.

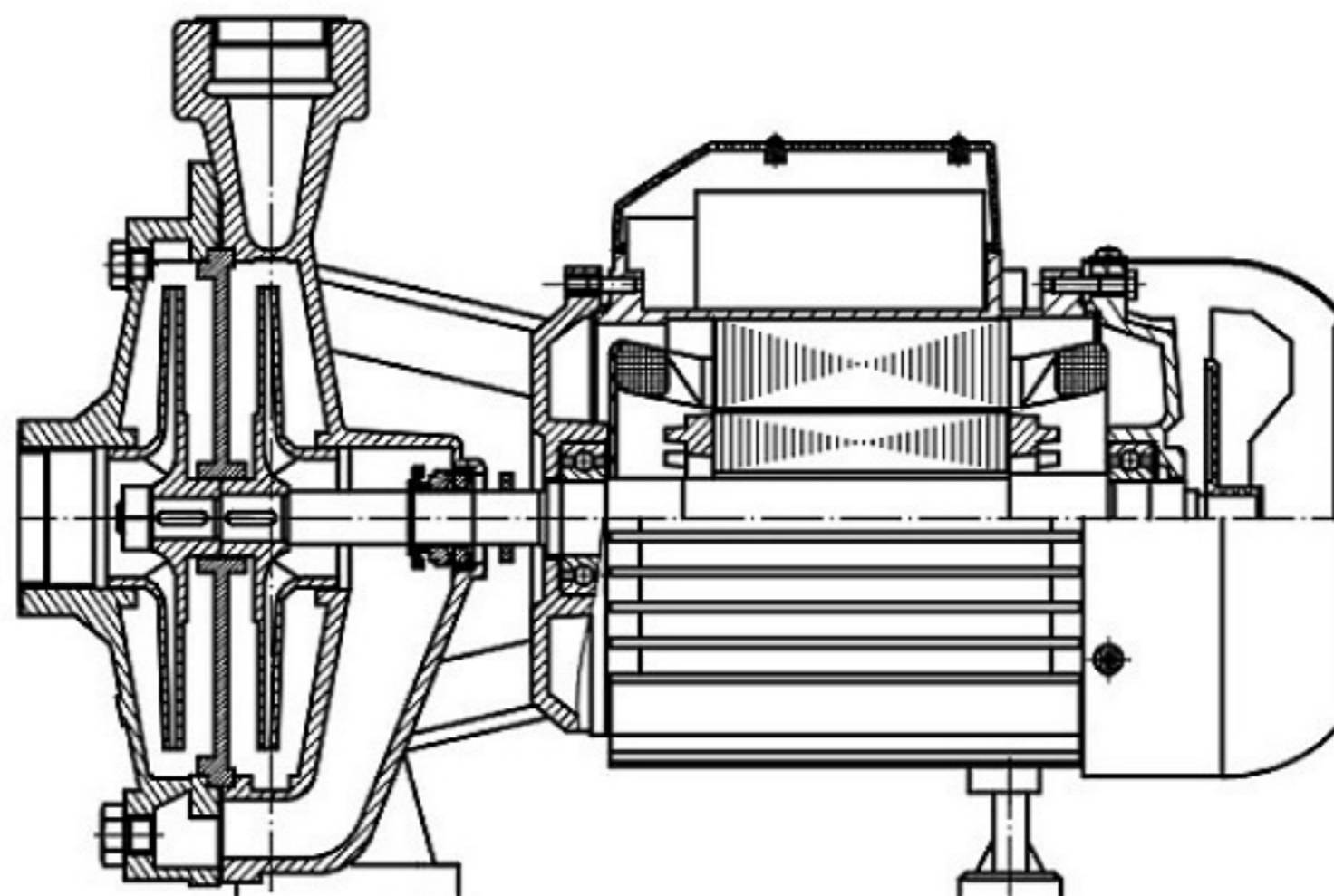
Applications

- ▶ Water irrigation
- ▶ Orchard cultivation
- ▶ Fire-fighting systems
- ▶ Water systems for agriculture uses

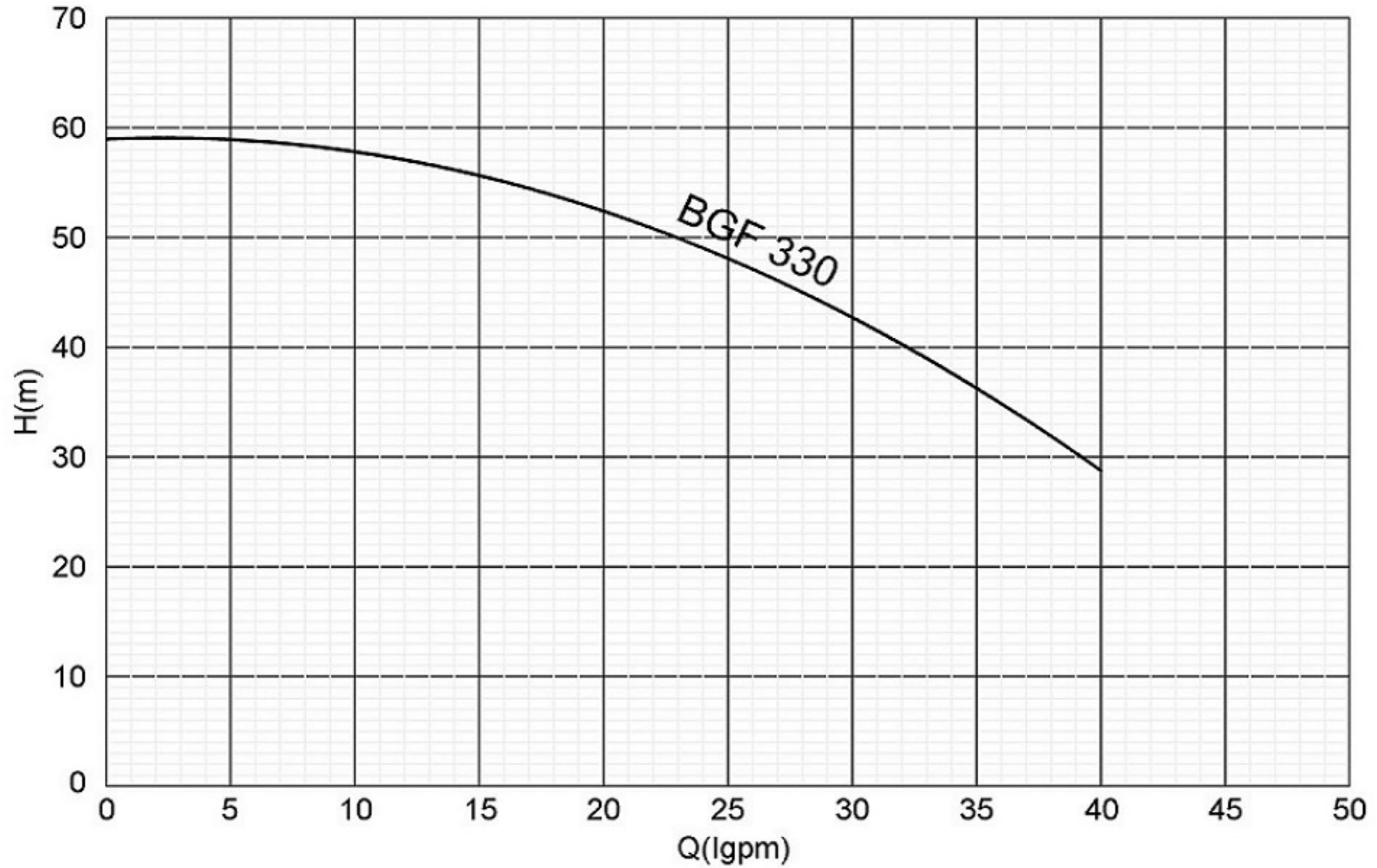
Operation Data

Pump Size	G1½ x G1¼
Capacities	up to 50 lpm
Heads	up to 75 Meter
Speed	up to 2900 rpm
Power Rating	up to 4 kW
Operating Temperature	up to 40°C*

* The material of pumps differ according to the type of pumped liquid, operating temperature and pressure.



Performance Range



Technical Data

Pump Model	BGF 330
Suction & Discharge	G1½ x G1¼
Material	CI / Brass / CS / Mech Seal
Motor Model	90L-2
Type	TEFC
Power	2.2kW (3HP)
Protection	IP 44
Full load Current	5.3A
Connection Diagrams	Star Connection
Dimension	450mm (L) X 240mm(W) X 300mm (H)
Weight	30kG