

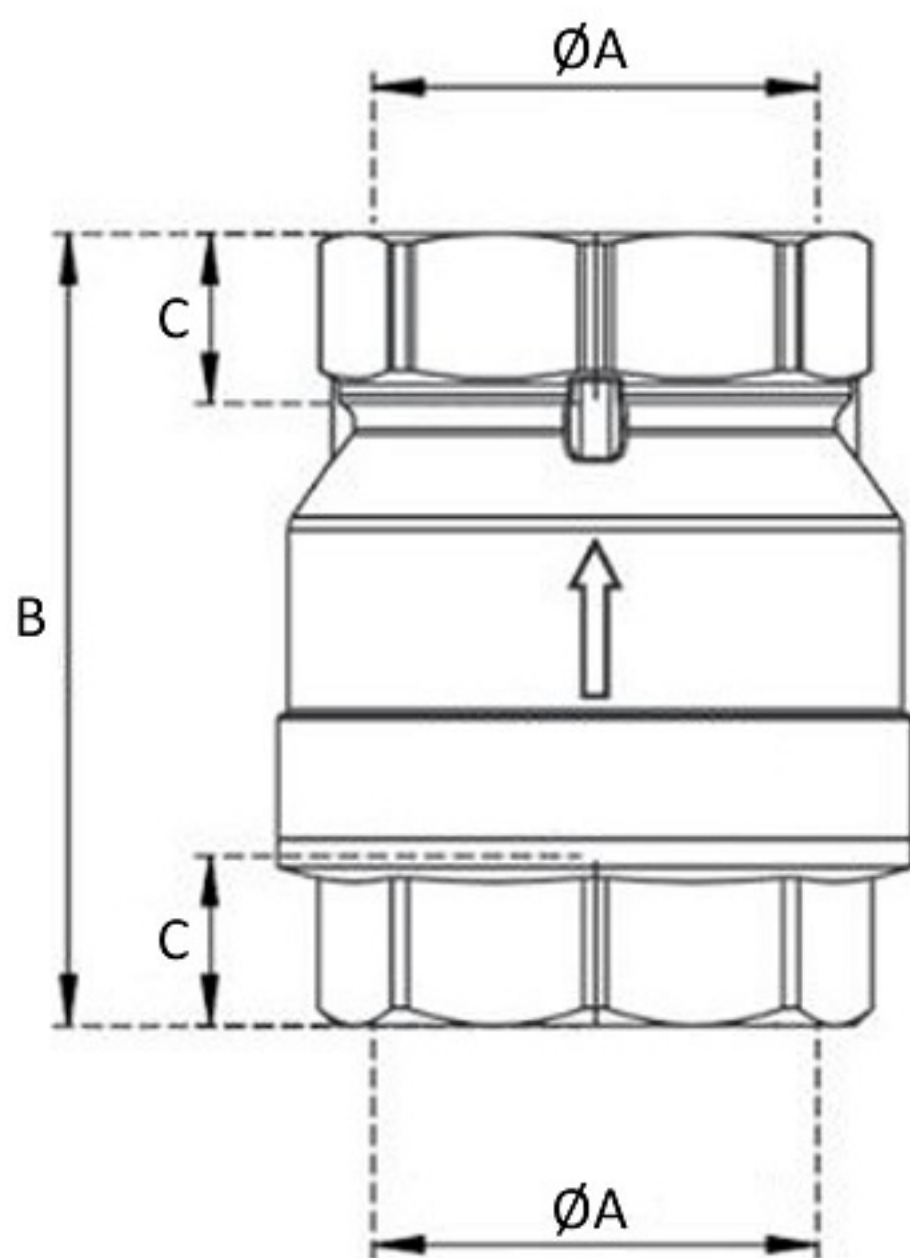
Non-Return Valve



Features

FF series non-return valves are suitable for hot and cold water, air compressor and oils use. Minimum head loss through the full bore aerodynamic flow design. Silent operation and excellent sealing in both high and low pressure.

Dimension



Model	Size	ØA bore	B (mm)	C (mm)
FF 25	1"	25	60	13.5
FF 32	1¼"	32	69	15.5
FF 40	1½"	40	79	16
FF 50	2"	50	93	19
FF 65	2½"	65	122	21