



JD *Jet Diffuser*



MADE IN MALAYSIA



Introduction

Commonly used in wide open spaces where duct work is not possible but requiring proper ventilation, the Jet Diffuser (JDA/S) is able to deliver air to localised targeted area over large distance up to 50 m.

Depending on model type, the air flow direction is adjustable in either one plane or two planes (4-way diffuser). With its aerodynamic design, the Jet Diffuser is able to produce airflow at high outlet velocities without compromising noise level.

With its fully rotatable center core, the Jet Diffuser is able to provide both the narrow and wide throw configurations depending on the application requirements (the wider throw provides better induction but at a shorter throw distance).

CONSTRUCTIONS & MATERIALS

- One-piece components with no seam joints
- Design configurations:
 - i) 4-way configuration
- Adjustable flow deflection in two planes
- Throw distance up to 50 m
- GI material upon request and custom made

Outer Cone

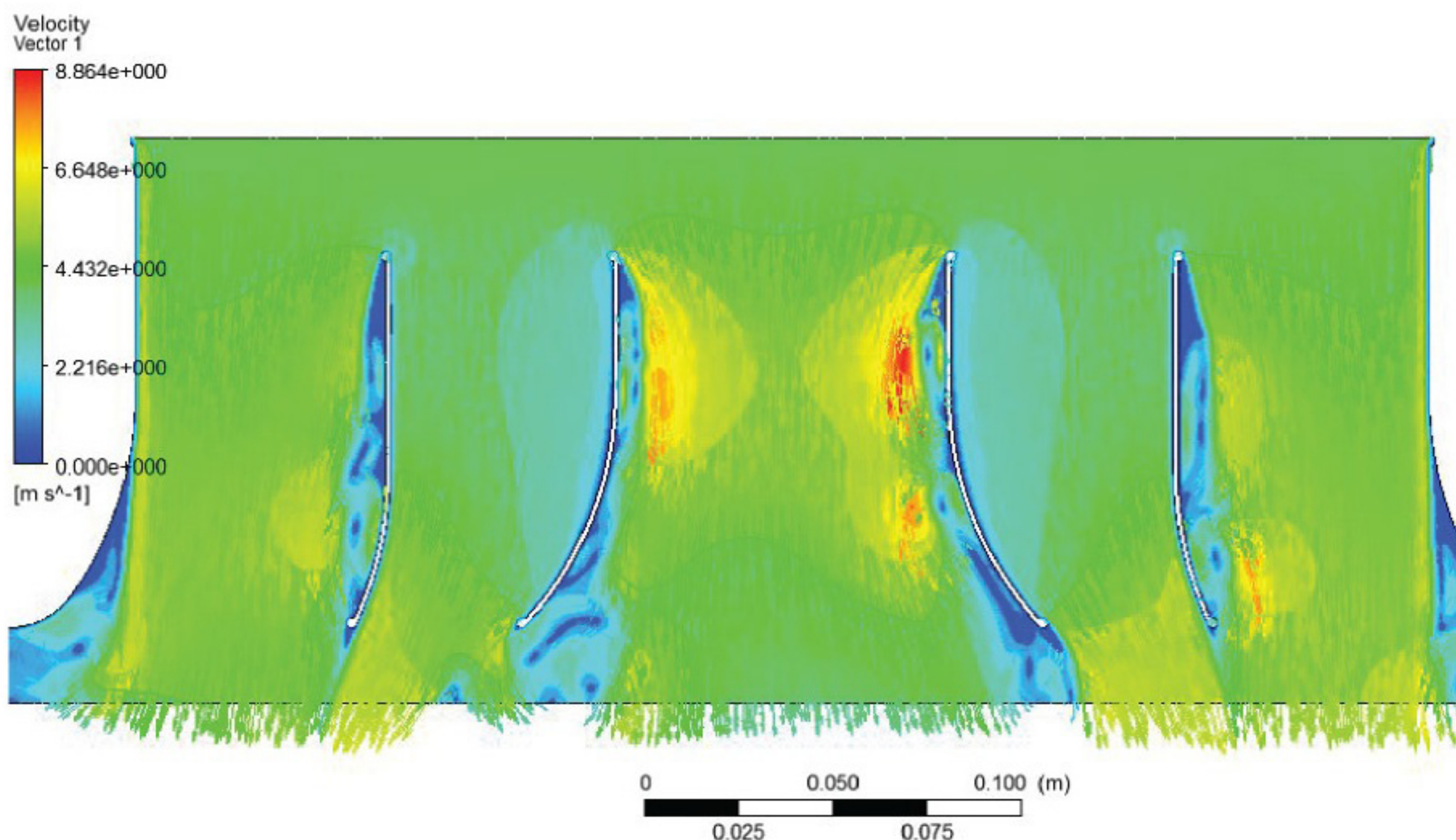


Aluminium

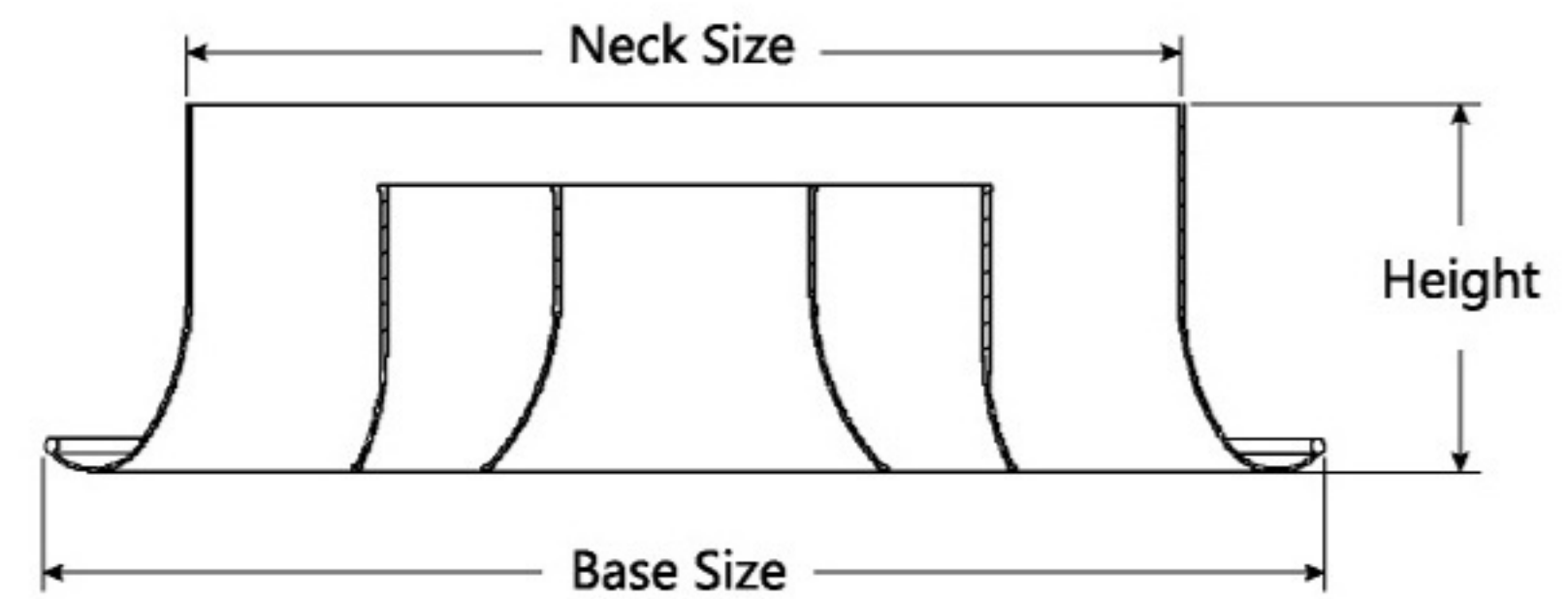
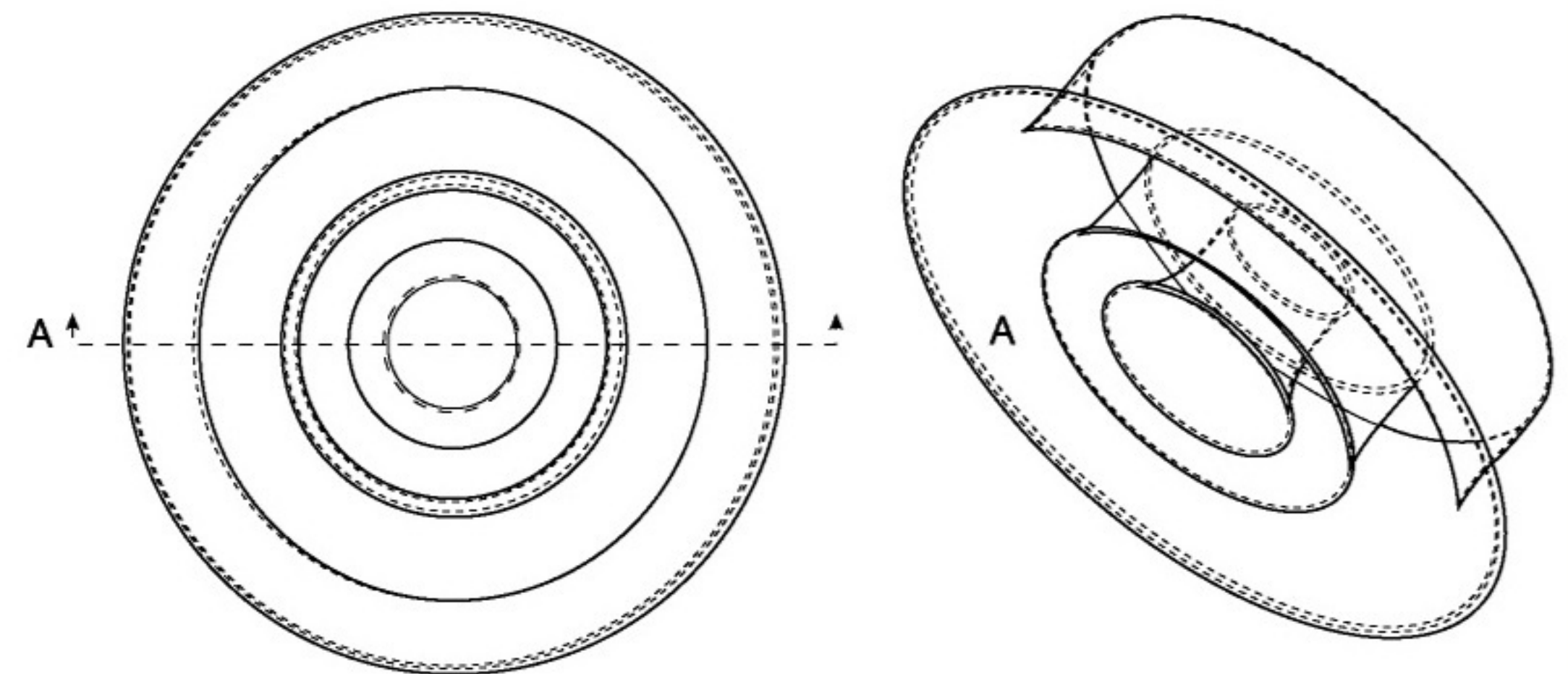
Inner Core Cones



Aluminium



DIMENSIONS

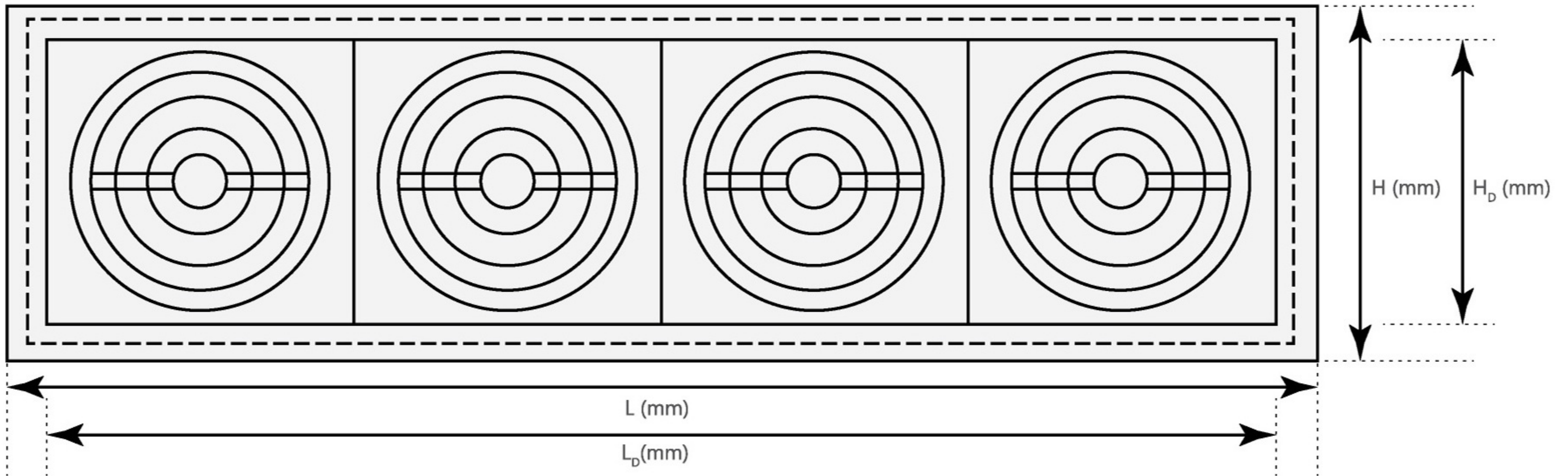


SECTION A-A

Dimensions

Order Size (Inch)	Neck Size (mm)	Base Size (mm)	Height (mm)
8.0	198	280	140
10.0	248	330	140
12.0	298	380	140
14.0	348	430	140

TECHNICAL PERFORMANCE DATA

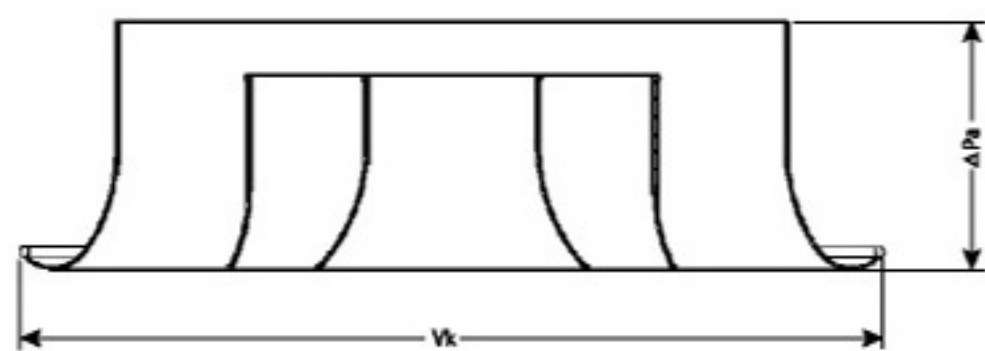


Base and Duct Sizes of Modular Assembly

SIZE (mm)	1				2				3				4			
	L	H	L _D	H _D	L	H	L _D	H _D	L	H	L _D	H _D	L	H	L _D	H _D
200	370	370	320	320	690	370	640	320	1010	370	960	320	1330	370	1280	320
250	420	420	370	370	790	420	740	370	1160	420	1110	370	1530	420	1480	370
300	470	470	420	420	890	420	840	420	1310	470	1260	420	1730	470	1680	420
350	520	520	470	470	990	520	940	470	1460	520	1410	470	1930	520	1880	470

Supply - Wide/Narrow Throw

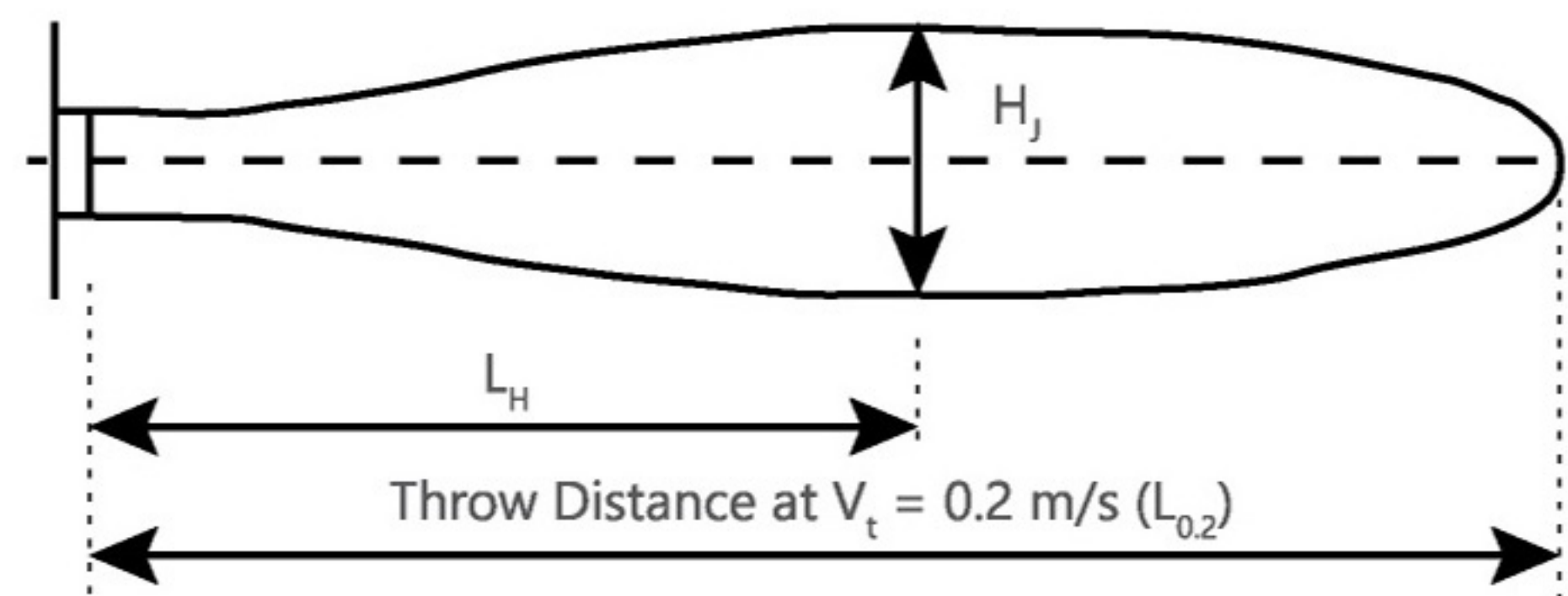
Throw correction factor for multiple jet diffusers installed within 1.5 m apart



Number of Diusers	2	3	4
Correction Factor	LT x 1.4	LT x 1.7	LT x 1.9

* The effective area given is to the best estimation & knowledge of Prudentaire's engineers at the point of entry.

* The throw length values quoted in the diagrams are valid for isothermal supply air. Throw lengths depend considerably on; the temperature of the supply air, whether the diffusers are grouped together.



	Spread	
	L _H	H _J
Narrow Jet	L _{0.2} x 0.45	L _{0.2} x 0.12
Wide Jet	L _{0.2} x 0.45	L _{0.2} x 0.5

Order Size, inch	Neck Area (Eff. Area) m ²	Unit Volume Flowrate, m ³ /hr Unit Volume Flowrate, l/s	200	250	400	500	800	1000	1400	1600	2000
			56	70	112	140	224	280	392	448	560
8.0	0.0308	Throw Distance (0.2 m/s), m (1)	9.5	12	3.0	-	-	-	-	-	-
		Throw Distance (0.2 m/s), m (2)	<8.0	<8.0	7.7	13.0	-	-	-	-	-
		Total Pressure Loss, Pa (1)	19	30	32	-	-	-	-	-	-
		Total Pressure Loss, Pa (2)	8.0	13	42	55	-	-	-	-	-
		Noise Rating (NR) (1)	<25	29	0.022	-	-	-	-	-	-
		Noise Rating (NR) (2)	<25	<25	>30	36	-	-	-	-	-
10.0	0.0483	Throw Distance (0.2 m/s), m (1)	<8.0	9.8	15.5	20.0	-	-	-	-	-
		Throw Distance (0.2 m/s), m (2)	-	<8.0	8.0	10.0	-	20	-	-	-
		Total Pressure Loss, Pa (1)	7.5	12	31	50	-	-	-	-	-
		Total Pressure Loss, Pa (2)	-	5.0	13	20	-	80	-	-	-
		Noise Rating (NR) (1)	<25	<25	32	37	-	-	-	-	-
		Noise Rating (NR) (2)	-	<25	<25	25	-	>45	-	-	-
12.0	0.0697	Throw Distance (0.2 m/s), m (1)	-	-	11.0	15.0	25.0	29	-	-	-
		Throw Distance (0.2 m/s), m (2)	-	-	<8.0	8.0	13.0	16	22	26	-
		Total Pressure Loss, Pa (1)	-	-	11	16	45	65	-	-	-
		Total Pressure Loss, Pa (2)	-	-	5.0	8.0	21	33	65	90	-
		Noise Rating (NR) (1)	-	-	<25	<25	37	43	-	-	-
		Noise Rating (NR) (2)	-	-	<25	<25	30	36	45	>45	-
14.0	0.0951	Throw Distance (0.2 m/s), m (1)	-	-	10.0	13.0	21.0	25.0	35.0	42.0	-
		Throw Distance (0.2 m/s), m (2)	-	-	-	<8.0	11.0	14.0	20.0	20.0	28.0
		Total Pressure Loss, Pa (1)	-	-	5.5	9.0	23	33	62	90	-
		Total Pressure Loss, Pa (2)	-	-	-	5.0	12	19	37	50	75
		Noise Rating (NR) (1)	-	-	<25	<25	27	33	33	>45	-
		Noise Rating (NR) (2)	-	-	-	<25	<25	28	40	43	>45

xxx (1) Values for narrow throw xxx (2) Values for wide throw

VOLUME CONTROL DAMPER TECHNICAL SPECIFICATION

Frame Construction

1. Frame to be in extruded aluminium. Frame thickness should be in minimum 1.0mm thick, unless otherwise stated.
2. Frame height to be in 140mm.

Core Construction

1. Cores to be in extruded aluminium.
2. Cores to be in 1.0mm thick. 2 layer of vanes to be adjustable for directional air distribution, unless otherwise stated.

Finishing

1. Finishing should be in powder coated RAL 9010 SG white matt, unless otherwise stated.

Performance

1. Diffusers core are adjustable for directional air distribution.
2. Jet Diffusers are designed to be high wall mounted, round duct connection with damper should to be installed at the neck of the diffuser for volume control purpose, unless otherwise stated.
3. Jet Diffuser's aerodynamic design is able to produces a jet throw without compromising noise level.

DIFFUSER + ACCESSORIES COMBINATION







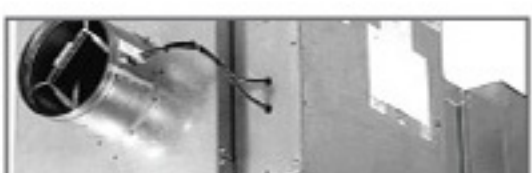






JD | *Jet Diffuser*

Products Range

- Grilles 
- Diffusers  ◀
- Dampers 
- Fire & Smoke Protection 
- VAV 
- Others 
- Accessories 



Prudent Aire Sdn Bhd 514037-D
 Lot 2102, Jalan KPB12, Off Jalan Suria Park 1, Kg Baru Balakong,
 43300 Seri Kembangan, Selangor Darul Ehsan, Malaysia
 Tel : +603-9100 3858 (HL) / 9101 3869 / 9101 5868
 Fax : +603-9100 4868 Email : sales@prudentaire.com

www.prudentaire.com