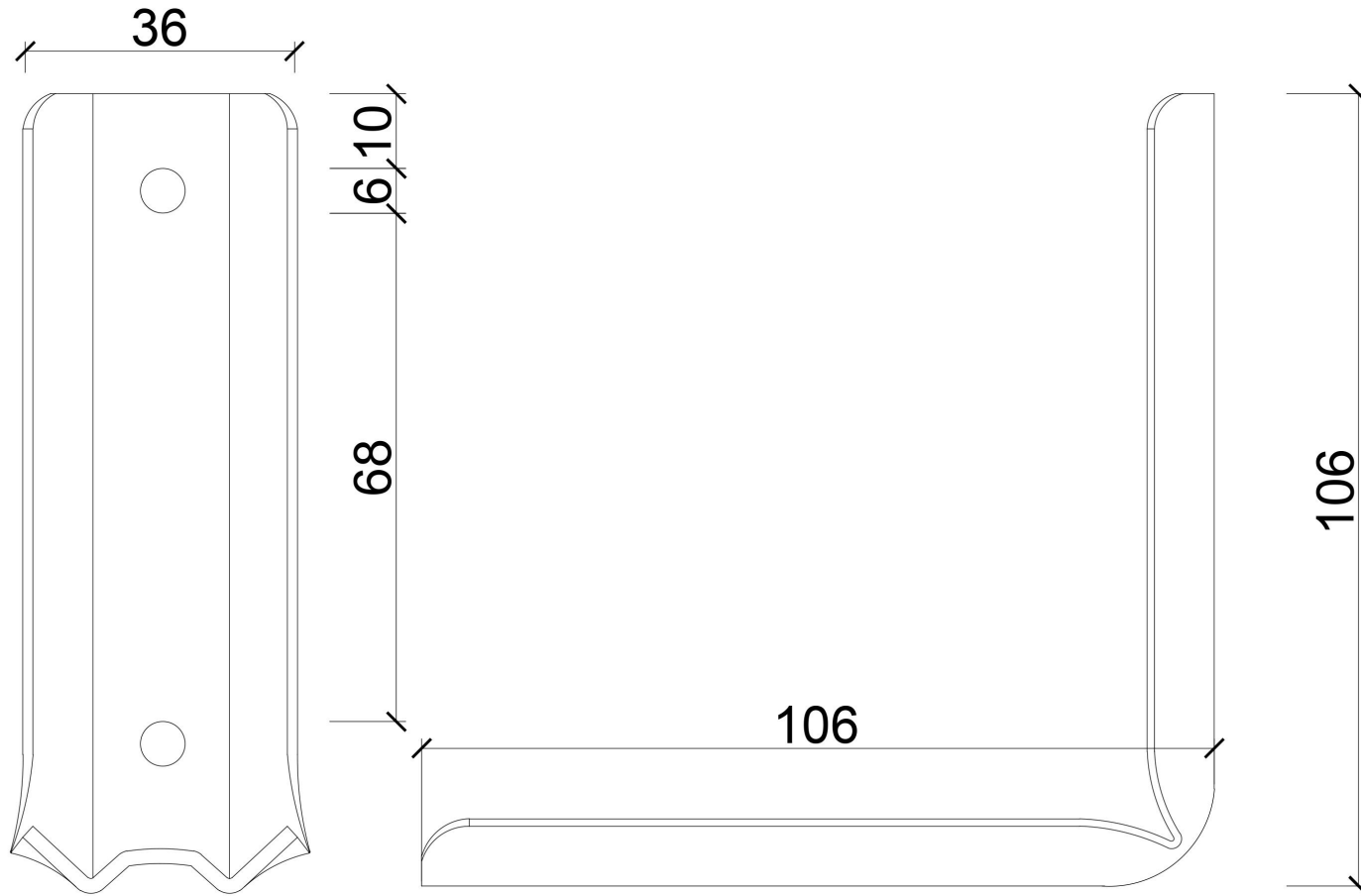



PRODUCT TECHNICAL DATA SHEET



Part Name CISTERN L BRACKET			Rev No.	Date	Weight
			A	12-1-2014	220g
Part No. Dwg No. CLB 100			Scale No.	Size	Sheet
			1:1	A4	1/2
Designed By	Checked By	Approved By	 Weser [®] Weserhoch Sdn Bhd.		
KK KWANG	YS ONG	TW TEE			

Note:

- ALL DIMENSIONAL TOLERANCE $\pm 5\%$
 Manufacturer may change product dimensions without prior notice. For confirmation, please refer to Weserhoch Sdn Bhd