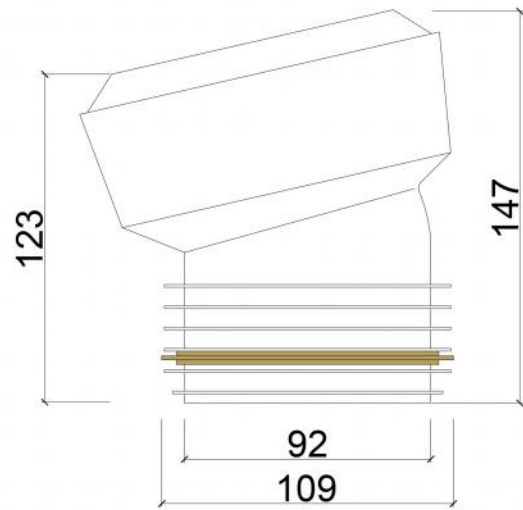
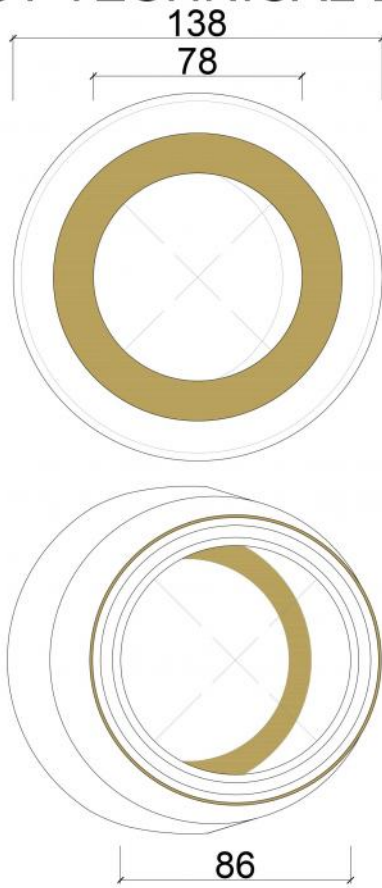


# PRODUCT TECHNICAL DATA SHEET



Note:  
 -DIMENSIONAL PLASTIC TOLERANCE  $\pm 2\%$   
 -DIMENSIONAL RUBBER TOLERANCE  $\pm 5\%$   
 Manufacturer may change product dimensions without prior notice. For confirmation, please refer to Weserhoch Sdn Bhd

Part Name <b>P15 CONNECTOR</b>			Rev No.	Date	Weight
			7	12-8-2013	170g
Part No. Dwg No. <b>P15</b>			Scale No.	Size	Sheet
			1:2	A4	1/2
Designed By	Checked By	Approved By	 Weserhoch Sdn Bhd.		
KK KWANG	YK TAN	TC TAI			