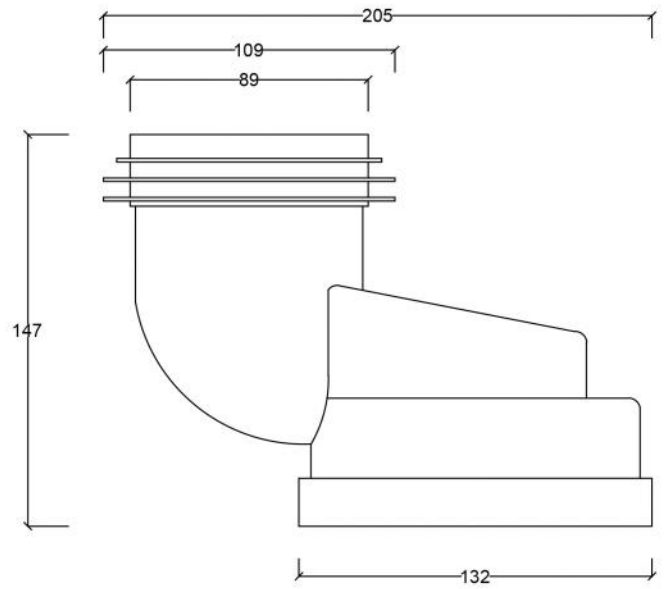
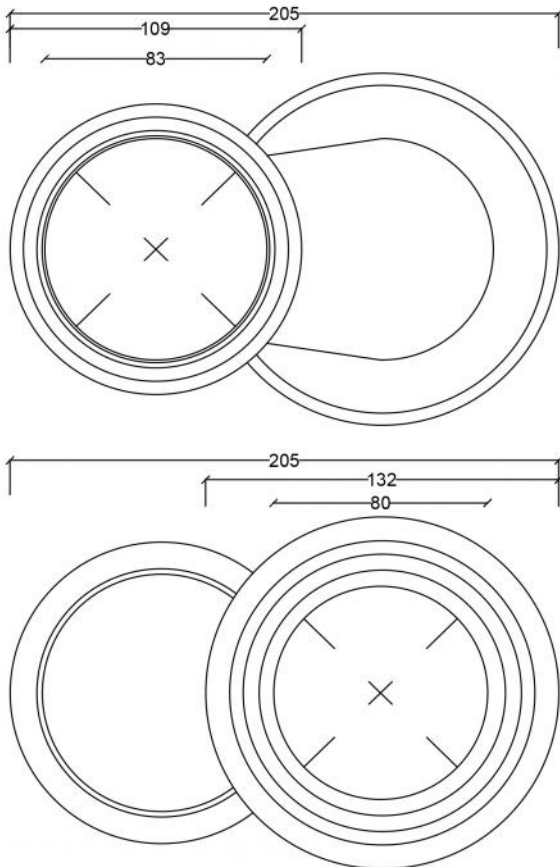


PRODUCT TECHNICAL DATA SHEET



Note:
 -DIMENSIONAL TO TOLERANCE ±2mm
 WEIGHT TOLERANCE ±5%
 Manufacturer may change product dimensions without prior notice. For confirmation, please refer to Weserhoch Sdn Bhd

<small>Part Name</small>			Rev No.	Date	Weight
3" OFFSET CONNECTOR P13			1	7-6-2016	239.5g
<small>Part No.</small>			Scale No.	Size	Sheet
P13			1:2	A4	1/2
Designed By	Checked By	Approved By	 Weserhoch Sdn Bhd.		
CY YEE	IRIS TAY	TC TAI			