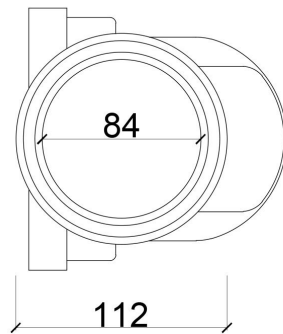
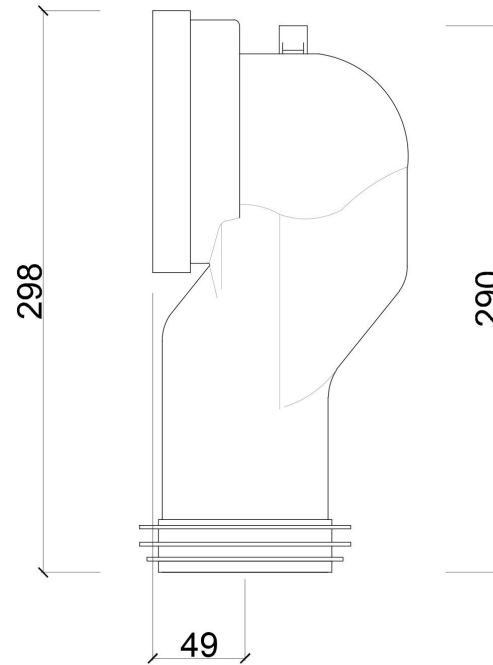
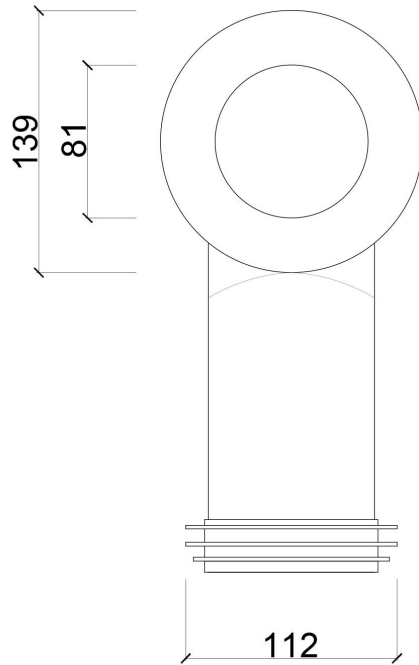



PRODUCT TECHNICAL DATA SHEET



Note:

- DIMENSIONAL PLASTIC TOLERANCE $\pm 2\%$
- DIMENSIONAL RUBBER TOLERANCE $\pm 5\%$

Manufacturer may change product dimensions without prior notice. For confirmation, please refer to Weserhoch Sdn Bhd

<i>Part Name</i>			<i>Rev No.</i>	<i>Date</i>	<i>Weight</i>
P51 P to S CONVERTOR			3	18-6-2014	290g
			<i>Part No.</i>		
P51			1:5	A4	1/2
			<i>Dwg No.</i>		
Designed By	Checked By	Approved By	 Weserhoch Sdn Bhd.		
KD CHONG	YS ONG	TW TEE			