



SAMSUNG SDS

Samsung
SMART Doorlock

Keyless & Safe

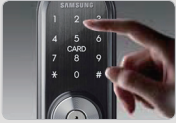
Leave your home
to the care of Samsung



[SHP-DS510]



User-friendly Accessibility



User Access Code



Key Tag



Mechanical Override Keys

Powerful Security

Privacy Mode

Rejecting every trial to open the door for protection of privacy



Privacy Mode Icon



Push for 3 seconds to turn on



Intrusion Detection

Through the magnetic detection sensor, it automatically alarms in the event of intrusion



Random Security Code

For hiding frequently pushed number, it always shows random number before you enter PIN code

Design

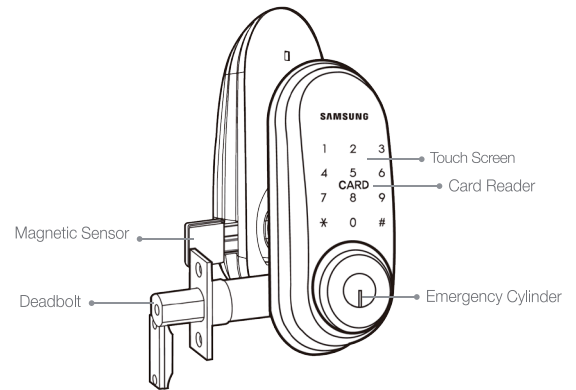


SHP-DS510



Inner Body

Structure



Convenience



Automatic Locking

Door lock will be locked automatically when the door is closed



Keypad Volume Control

Volume adjustable (3 levels including mute)



Low Battery Warning Alarm

A "beep" sound during door access will alert you to replace batteries



Voice Guidance

Notify the lock status with audible message

Specification

RFID	ISO 14443A type (13.56Mhz)
User Access Code	Capacity : 4~12 Digit number combination
Mechanical Key	6 Pin bump proof, Groove side bar
Material	Zinc, Aluminum, Polycarbonate
Size (WxHxD)	2.7 x 6.2 x 1.4 Inch (68.58 x 157.48 x 35.56 mm)
Lock Set	Deadbolt (GRADE 2, 60/70mm Adjustable)
Door Thickness	Applicable 35~55mm
Installation	American Standard 160/161 Prep Installation
Power	DC 6V (AA Alkaline batteries, 4pcs)
Battery Life	Approximately 24 months (Average - 10 times per day)