

A unidirectional microphone with a gooseneck shaft. Use this microphone in conjunction with the ST-73A desk-top stand (option).

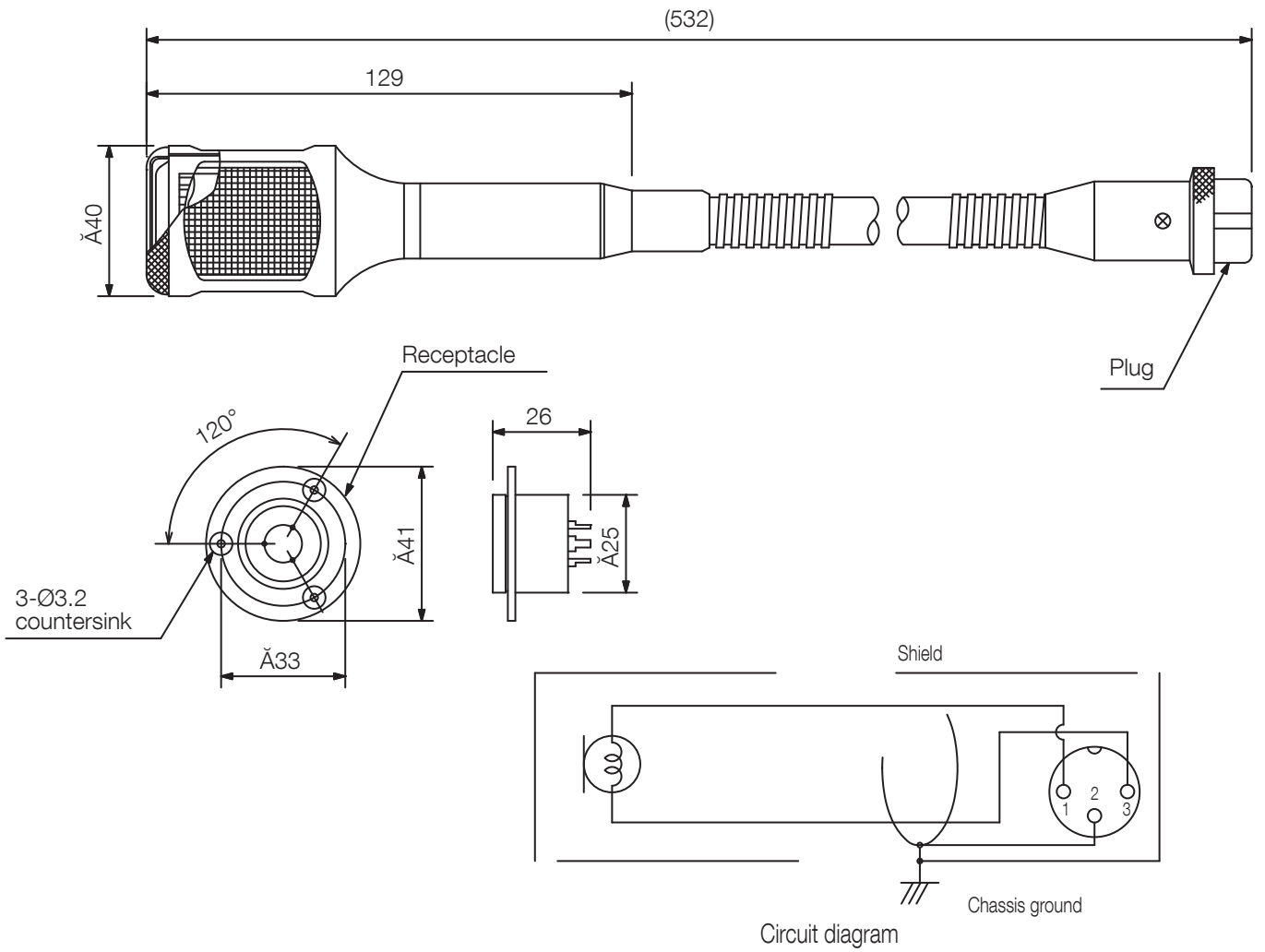


Order no: DM-524B

Specifications

Frequency response	100 Hz - 10 kHz
Connection	3-pin plug BTS21P3B
Rated impedance	600 Ω
Type	Dynamic microphone
Directivity	Cardioid
Sensitivity	-55 dB (1 kHz 0 dB = 1 V/Pa)
Dimensions (W x H x D)	x 532
Dimensions (ϕ x D)	41 x 532 mm
Finish	paint, gold

Appearance



UNIT:mm

SCALE:1/2

Note: Numerical values in parentheses are for reference only.