

PC-1867FC

FIREDOME SPEAKER

The PC-1867FC Ceiling Mount Speaker features an iron-made dome that prevents the fire from spreading in the ceiling in case of an emergency situation. The speaker can be easily installed using the speaker mounting spring, and the dome can also be easily mounted in the speaker mounting hole in the ceiling panel. The PC-1867FC certified European Standard EN 54-24 and complies with the British Standard BS 5839-8.



Order no: PC-1867FC
 Alternative products: VM-3360VA,
 VM-3240VA, VP-2421, VP-2421incl, VP-2241,
 VP-2241incl, VP-2122incl, VP-2122, VP-2064,
 VP-2064incl, VP-3504, VP-3154, VP-3304,
 SX-2000SM, VX-2000, VX-3008F, VX-3004F,
 VX-3016F

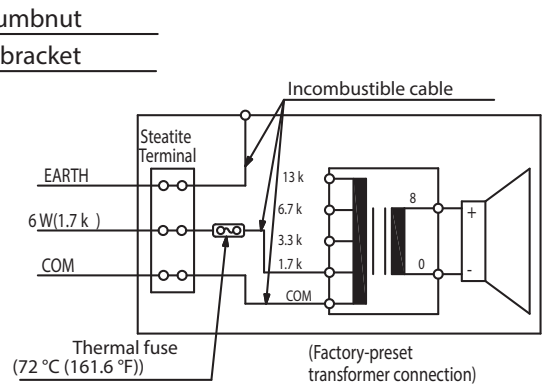
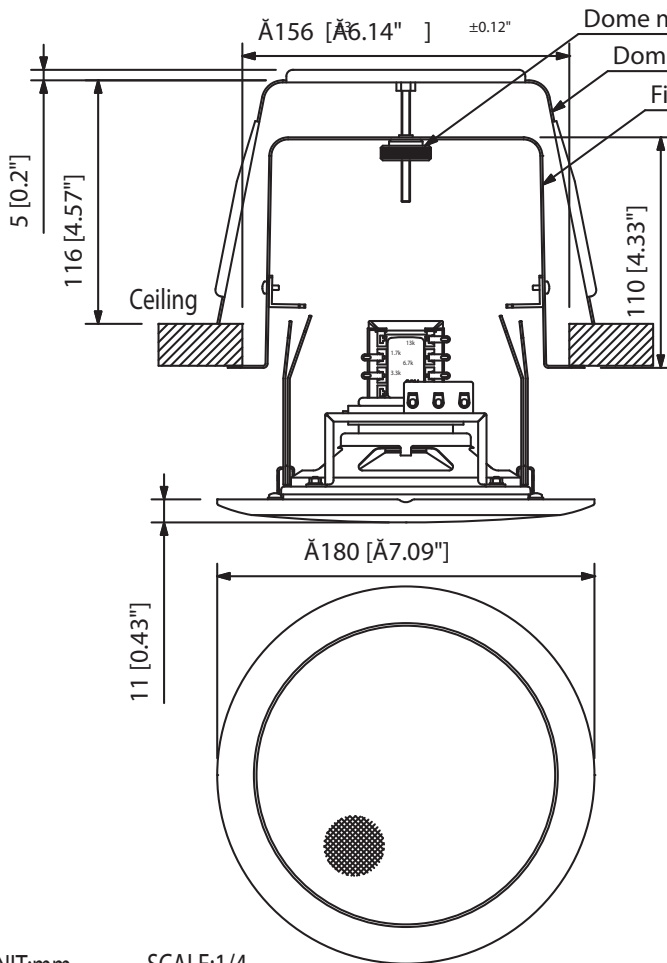
Specifications

Frequency response	160 Hz - 13 kHz
Connection	Ceramic screw terminals, thermal fuse
Sensitivity (1#V, 1#n) (combined)	90 dB
Speaker component	5" cone-type
Rated input	6 W
Tappings	6 / 3 / 1.5 / 0.8 W (100 V), 3 / 1.5 / 0.8 / 0.4 W (70 V)
Mounting hole	156,00 mm
Dimensions (W x H x D)	x 121
Dimensions (ø x D)	180 x 121 mm
Finish	Aluminium, off-white (RAL 9010 or equivalent)

PC-1867FC

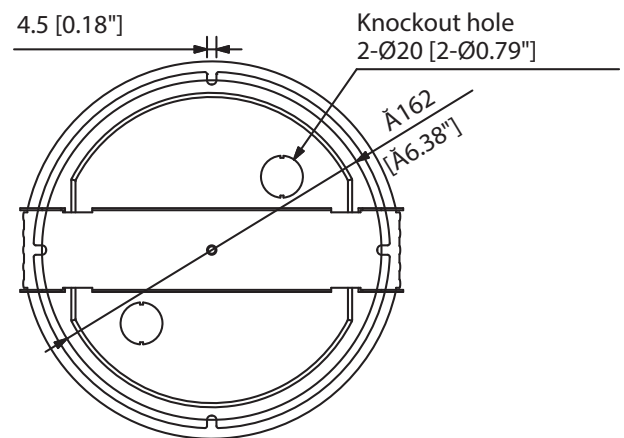
FIREDOME SPEAKER

Appearance



Wiring Diagram

[Note] Use transformer terminals when changing input impedance.



UNIT:mm

SCALE:1/4