



MB-25B

RACK MOUNTING BRACKET

The MB-25B is a rack mounting bracket designed for 2-unit size.

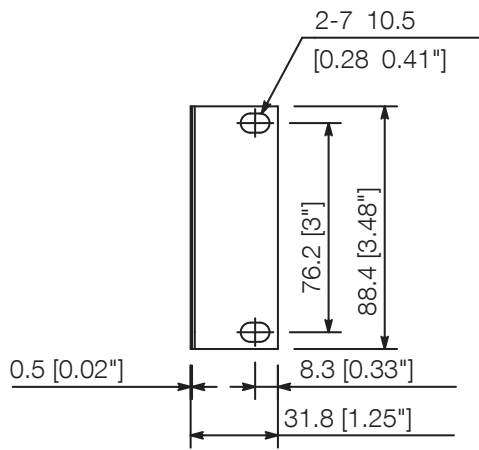


Order no: MB-25B

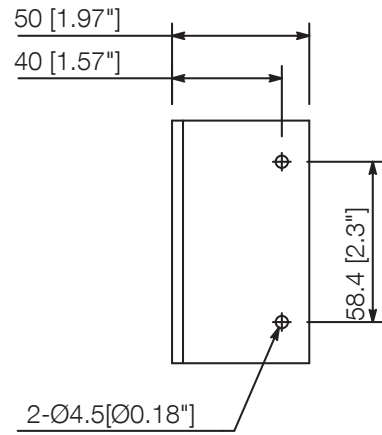
Specifications

Finish	Aluminium, alumite process, black
--------	-----------------------------------

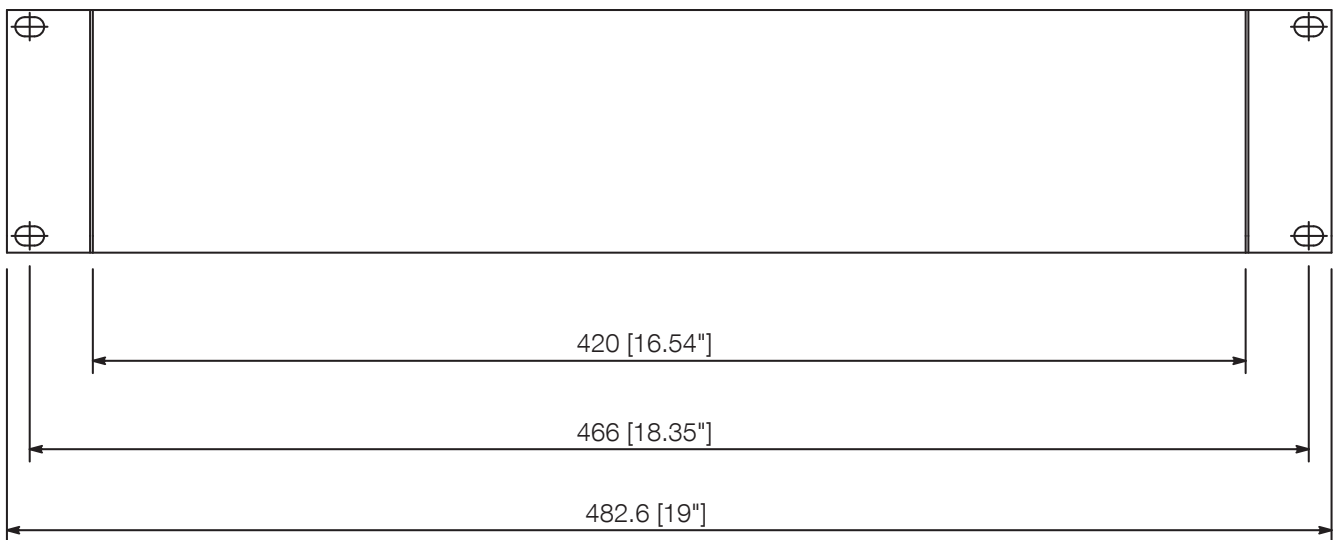
Appearance



Front View



Side View



Installation

UNIT:mm

SCALE:1/3