



VP7501 - Local Speaker Patch Panel



VP7810 - 8 Ohm Speaker Patch

Introduction

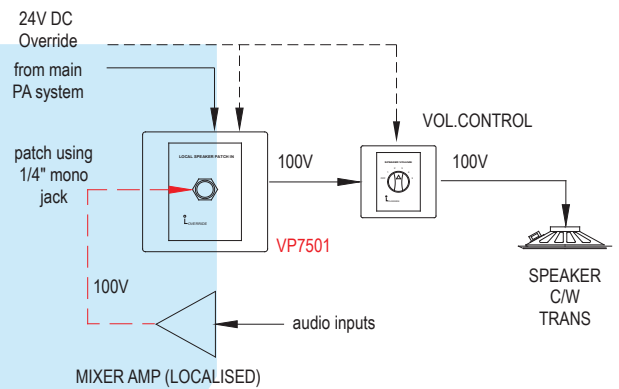
VP7501 is used to isolate a group of speakers (meeting room, etc) from central PA system to allow a separate PA amplifier to utilise those local speakers, but can be overridden by main system when a 24V overriding signal is present.

VP7810 works similarly but the local speaker is 8 Ohm, ie. setup in hotel room with speaker connected to TV audio output via a mini amplifier. In the event of emergency, it shall allow the incoming 100V line to take over and to match the speaker's impedance.

Features

- Suitable for 4 wire system : 2 x audio, 2 x 24V DC overriding
- Built in overriding relay for emergency bypass with LED indicator
- Also available with 70 x 120 mm front panel

Application Schematic



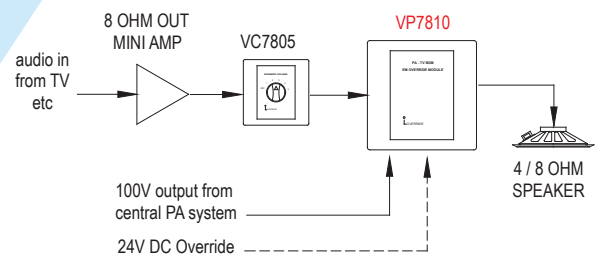
VP7501 application schematic

Technical Specifications

| | VP7501 | VP7810 |
|--------------------------|---|---------------|
| Power rating | 50W 100V line | 10W 8 Ohm |
| Overriding voltage | 24V DC : 15 mA | |
| Patch connection | 1/4" phone jack-front patch | Hardwired |
| Cablings | 4 wire system (2 audio ; 2 overriding) | |
| Size (front panel) | 86 x 86 mm | |
| | 70 x 120 mm face plate available upon request | |
| Weight (excl. enclosure) | 69 / 215 gms | |
| Concealed (W x H x D) | 77 x 77 x 60 mm | |
| Surface (W x H x D) | 85 x 85 x 60 mm | |

Packing information

Carton (W x H x D) : VP7501 / VP7810 : 550 x 220 x 420 mm
 Weight : VP7501 : 200 g per unit
 : VP7810 : 300 g per unit
 Qty : VP7501 / VP7810 : 90 uts per carton



VP7810 application schematic