

**Compact sewage disposal unit  
with submersible waste water pumps  
with cutting system.**

**Saniboy G, Sanimaster G**



**Application**

HOMA Saniboy G and Sanimaster G are compact sewage disposal units. They are suitable for pumping sewage and waste water from toilets, hand basins, showers and rooms which are below the sewer level (see DIN EN 12056), or in areas of low population or under difficult topographic conditions where small dimensioned discharge pipes are required. With the advantage of using discharge pipes either DN 40 or DN 50 diameter the construction work and the cost are lower in respect to the conventional discharge pipes. They are suitable as a single pump station (Saniboy G) or as a twin pump station (Sanimaster G) with standby pump.

**DIN EN 12050-1:** Conformity and design approved and controlled by LGA.

**Pumped liquid:** Waste water or sewage containing soft solids. Max. liquid temperature: 35°C short term up to 60°C.

**Operation:** Intermittent.

**Design**

Flood protected single or twin pump lifting station consisting of:

**Collecting tank:** Odour and gas-tight plastic collecting tank.

Inlets:

- DN 100/DN 40 horizontal (optional with 180 mm or 250 mm height)
- DN 100/DN 40 vertical

Air vent union: DN 70 vertical.

Connection for diaphragm pump: BSP 1" F.

Cleaning cover with screw cap.

**Pump:** Single stage centrifugal pump with horizontal discharge. Open multi-channel impeller with cutting system. Sanimaster G with 2 pumps. Discharge: BSP 1½" M.

**Motor:** Fully submersible, pressure tight electric motor, 1 Ph or 3 Ph. Thermal sensors embedded in the winding. Insulation class H. Degree of protection IP 68.

**Shaft/Bearings:** Large diameter stainless steel rotor shaft, pre-lubricated bearings.

**Seals:** Model GRP 16 with combination of mechanical seal (silicon carbide) and lip seal in oil chamber. Model GRP 26 with 2 mechanical seals (silicon-carbide) in oil chamber. Oil inspection from outside.

**Materials**

Collecting tank	Composite
Pump housing, motor housing, impeller	Cast iron EN-GJL-250
Cutter system	Stainless steel 1.4528
Rotor shaft, screws	Stainless steel
Seal kit	NBR

**Equipment supplied**

Tank with 1 pump (Saniboy G) 2 pumps (Sanimaster G). Discharge with 90° elbow BSP 1½" M. Elastic union piece for inlet DN 100 and air vent DN 70 with bands. Pneumatic level control. Electronic control box with cable and plug.

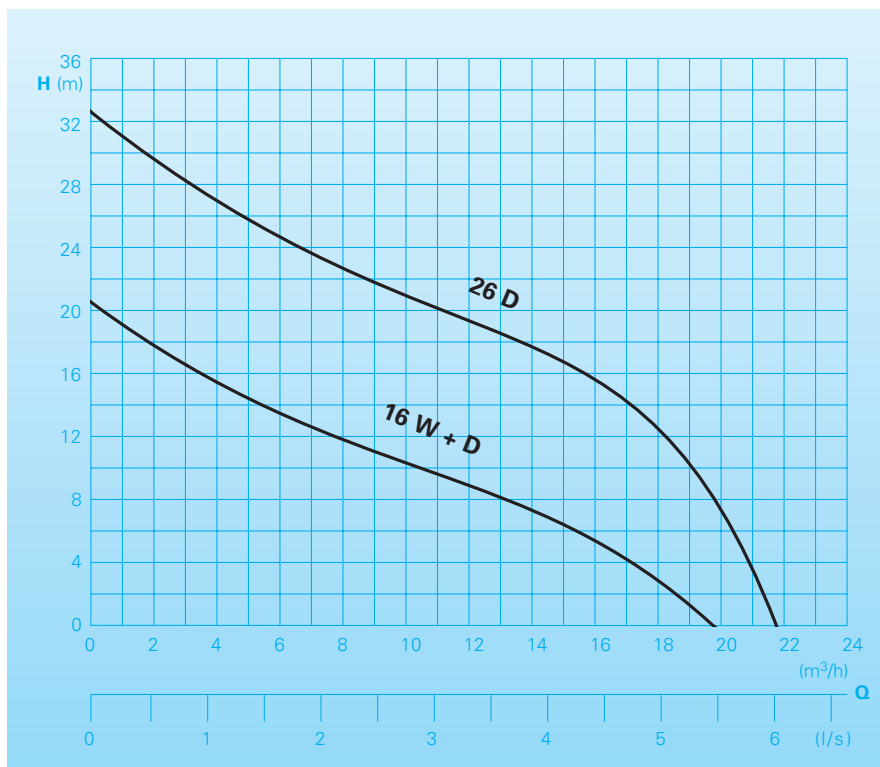
## Control box

Pneumatic level control with pressure control. Electronic control box for control and monitoring all important functions with advice of any problems. Motor protection with temperature control of the winding. Optical indication for unit failure. Alarm signal through integral buzzer. Volt free contact for remote signal. Control indication for direction of rotation. Motor over run period which prevents sewage build up and blockage.



Easy conversion to mains independent alarm through installing a 9,0 V battery (see accessories). Additionally for twin pump station Sanimaster: Auto-change over after each pump cycle. Operation of second pump by high flow. In the event of failure one pump automatically changes to the second pump.

## Performance



## Technical Data

**Saniboy G:** Single pump station | **Sanimaster G:** Twin pump station

Pump type	Motor P <sub>1</sub> (kW)	P <sub>2</sub> (kW)	Voltage 50 Hz (V)	Speed (rpm)	Nominal current (A)	Weight (kg)
<b>Saniboy G</b>						
180 - 16 W*	1,5	1,1	230-240/1Ph	2900	7,5	37
250 - 16 W*						
180 - 16 D*	1,3	0,9	400-415/3Ph	2900	2,5	37
250 - 16 D*						
180 - 26 D*	2,5	1,9	400-415/3Ph	2900	4,4	51
250 - 26 D*						
<b>Sanimaster G</b>						
180 - 16 W*	1,5	1,1	230-240/1Ph	2900	7,5	62
250 - 16 W*						
180 - 16 D*	1,3	0,9	400-415/3Ph	2900	2,5	62
250 - 16 D*						
180 - 26 D*	2,5	1,9	400-415/3Ph	2900	4,4	89
250 - 26 D*						

\* Height to main horizontal inlet in mm | Performance data for each pump

Inlets: DN 100 / DN 40 (2x) | Discharge: BSP 1½" M

Air vent: DN 70 | Connection for diaphragm pump BSP1" F

### Collecting tank

	180 mm	250 mm
Inlets heights	180 mm	250 mm
Total volume	46 l	46 l
Operating volume	31 l	31 l

### Cable

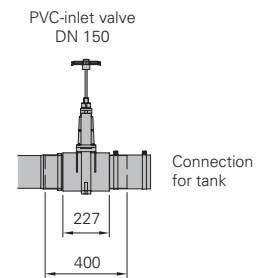
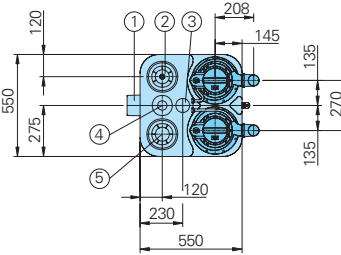
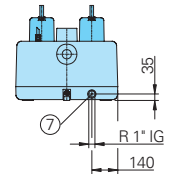
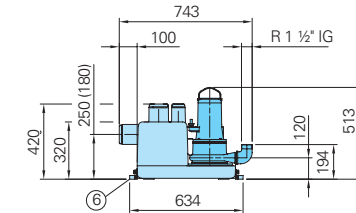
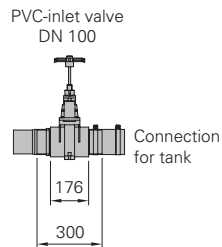
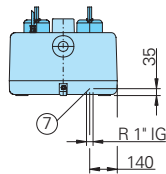
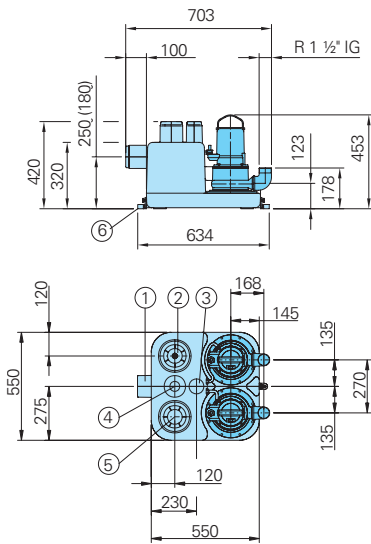
	Type	Length
Unit control box	H07 RN-F 7G 1,5	4 m
Control box plug	H07 RN-F 5G 1,5	0,8 m



## Dimensions (all dimensions in mm)

Saniboy G... - 16 W+D  
 Sanimaster G... - 16 W+D

Saniboy G... - 26 W+D  
 Sanimaster G... - 26 W+D

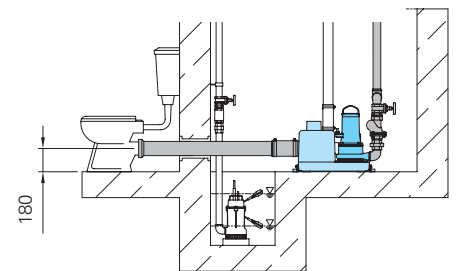
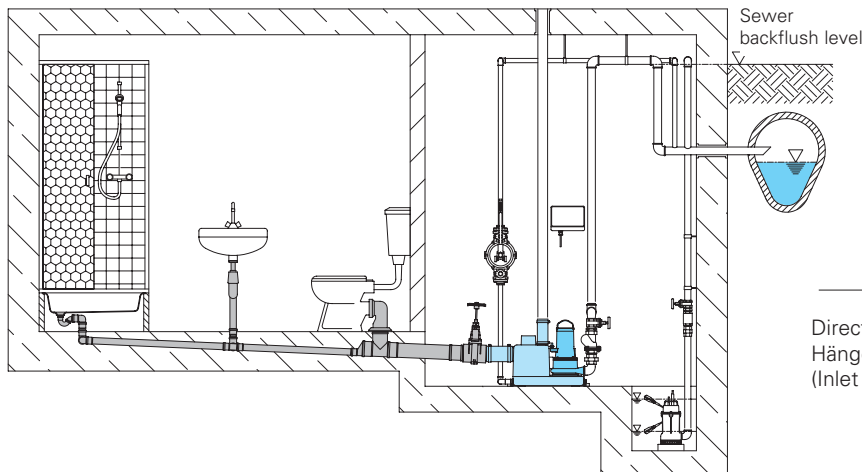


- ① Horizontal inlet DN 100 / DN 40
- ② Connection for Pneumatic level control
- ③ Air vent DN 70
- ④ Vertical inlet DN 100 / DN 40
- ⑤ Cleaning cover
- ⑥ Tank fixing point
- ⑦ Connection for diaphragm pump

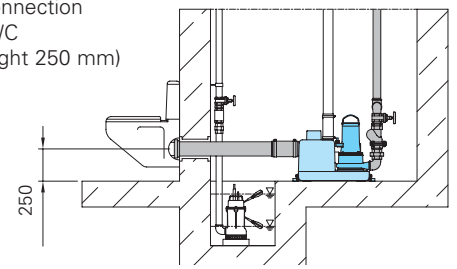
## Installations

Main inlet  
 horizontal

Direct connection  
 Euro-WC  
 (Inlet height 180 mm)



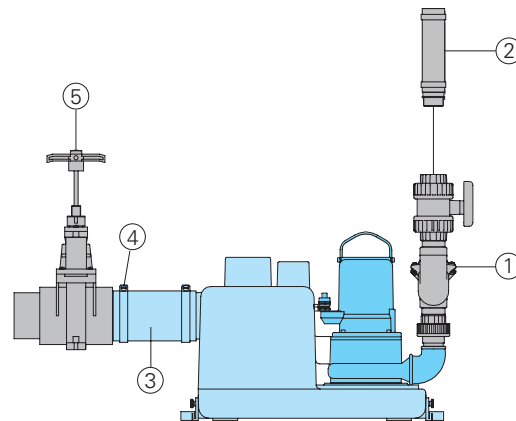
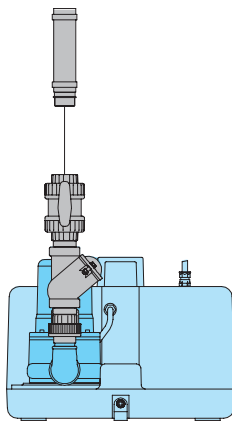
Direct connection  
 Hänge-WC  
 (Inlet height 250 mm)



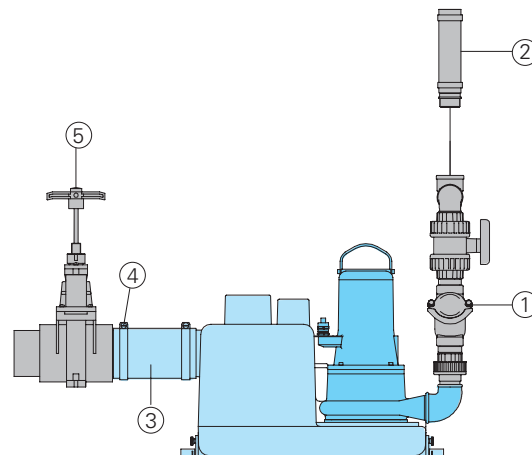
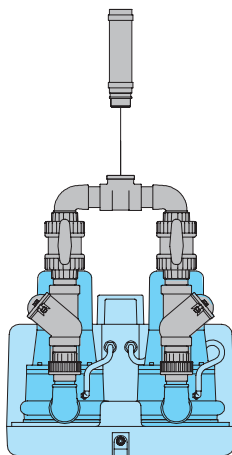
## Accessories

Description	Dimension	Part No.
① Accessories-Kit Pressure line KIT SBG 180/250 consisting of ball valve, ball non-return valve, screw connection	R 1 1/2"	8609021
① Accessories-Kit Pressure line KIT SMG 180/250 consisting of ball valve, ball non-return valve, screw connection	R 1 1/2"	8609022
② Accessories-Kit Elast. crossing KIT SBG/SMG 180/250 D50		8609024
③ Flanged elastic union piece	DN 100	included
	DN 150	2159542
④ Hose band	S114/20	2311520
⑤ PVC-inlet valve	DN 100	2214110
	DN 150	2214160
○ Diaphragm pump	R 1" IG	8502445
○ Battery 9 V for mains independent alarm		1952214

### Saniboy G



### Sanimaster G



**HOMA**  
P U M P T E C H N O L O G Y

HOMA Pumpenfabrik GmbH  
P.O. Box 22 63, D-53814 Neunk.-Seelscheid  
Tel. +49 (0) 22 47 /702-0, Fax +49 (0) 22 47 /702 -44  
e-mail: info@homa-pumpen.de  
www.wwww.homapumps.com