

## DS-2CE56D0T-VFIRE 2 MP Vari-focal PoC Dome Camera



### Key Feature

- 2.0 mega pixel high performance CMOS
- 1920 × 1080 resolution
- 2.8 mm to 12 mm varifocal lens
- True Day/Night
- Up to 30 m IR distance
- PoC.af
- Up the coax (HIKVISION-C)



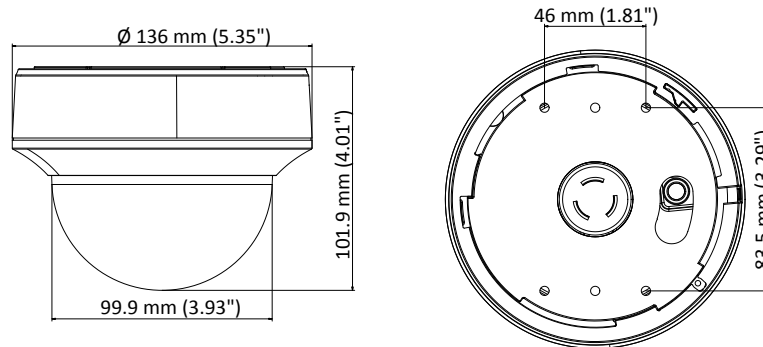
## Specification

<b>Camera</b>	
Image Sensor	2 MP progressive scan CMOS
Signal System	PAL/NTSC
Frame Rate	PAL: 1080p@25fps NTSC: 1080p@30fps
Resolution	1920 (H) × 1080 (V)
Min. illumination	0.01 Lux@(F1.2, GC ON), 0 Lux with IR
Shutter Time	PAL: 1/25 s to 1/50, 000 s NTSC: 1/30 s to 1/50, 000 s
Lens	2.8 mm to 12 mm
Horizontal Field of View	105.2 ° to 32.8 °
Lens Mount	Φ14
Day & Night	IR cut filter
Angle Adjustment	Pan: 0° to 340°, Tilt: 0° to 75°, Rotation: 0° to 355°
Synchronization	Internal synchronization
<b>Menu</b>	
AGC	Low/middle/high
Day/Night Mode	Smart/color/BW(Black and White)
Backlight Compensation	Yes
DWDR	Yes
Language	English
Functions	Brightness, Sharpness, DNR, Mirror
<b>Interface</b>	
Video Output	1 HD analog output
<b>General</b>	
Operating Conditions	-40 °C to 60 °C (-40 °F to 140°F), humidity 90% or less (non-condensation)
Power Supply	12 VDC ± 15%/PoC.af
Power Consumption	Max. 4 W
Material	Plastic
IR Range	Up to 30 m
Dimensions	Ø 136 mm × 102 mm (Ø 5.35" × 4.02")
Weight	600 g (1.32 lb.)

## Order Model

DS-2CE56D0T-VFIRE

## Dimension



## Accessory



DS-1275ZJ-SUS  
Vertical Pole Mount



DS-1273ZJ-130B  
Wall Mount



DS-1271ZJ-130  
Pendant Mount



DS-1276ZJ-SUS  
Corner Mount



Distributed by

DS-1273ZJ-130  
Wall Mount



DS-1249ZJ  
In-ceiling Mount



DS-1H18  
Video Balun

## HIKVISION®

### Headquarters

No.555 Qianmo Road, Binjiang District,  
Hangzhou 310051, China  
T +86-571-8807-5998  
overseasbusiness@hikvision.com

**Hikvision USA**  
T +1-909-895-0400  
sales.usa@hikvision.com

**Hikvision Australia**  
T +61-2-8599-4233  
salesau@hikvision.com

**Hikvision India**  
T +91-22-28469900  
sales@pramahikvision.com

**Hikvision Canada**  
T +1-866-200-6690  
sales.canada@hikvision.com

**Hikvision Thailand**  
T +662-275-9949  
sales.thailand@hikvision.com

**Hikvision Europe**  
T +31-23-5542770  
sales.eu@hikvision.com

**Hikvision Italy**  
T +39-0438-6902  
info.it@hikvision.com

**Hikvision Brazil**  
T +55 11 3318-0050  
Latam.support@hikvision.com

**Hikvision Turkey**  
T +90 (216)521 7070- 7074  
sales.tr@hikvision.com

**Hikvision Malaysia**  
T +601-7652-2413  
sales.my@hikvision.com

**Hikvision UK & Ireland**  
T +01628-902140  
sales.uk@hikvision.com

**Hikvision South Africa**  
Tel: +27 (10) 0351172  
sale.africa@hikvision.com

**Hikvision France**  
T +33(0)1-85-330-450  
info.fr@hikvision.com

**Hikvision Kazakhstan**  
T +7-727-9730667  
nikia.panfilov@hikvision.ru

**Hikvision Vietnam**  
T +84-974270888  
sales.vt@hikvision.com

**Hikvision UAE**  
T +971-4-4432090  
salesme@hikvision.com

**Hikvision Singapore**  
T +65-6684-4718  
sg@hikvision.com

**Hikvision Spain**  
T +34-91-737-16-55  
info.es@hikvision.com

**Hikvision Tashkent**  
T +99-87-1238-9438  
uzb@hikvision.ru

**Hikvision Hong Kong**  
T +852-2151-1761  
info.hk@hikvision.com

**Hikvision Russia**  
T +7-495-669-67-99  
saleru@hikvision.com

**Hikvision Korea**  
T +82-(0)31-731-8817  
sales.korea@hikvision.com

**Hikvision Poland**  
T +48-22-460-01-50  
info.pl@hikvision.com

**Hikvision Indonesia**  
T +62-21-2933759  
Sales.Indonesia@hikvision.com

**Hikvision Colombia**  
sales.colombia@hikvision.com