



Description

This fully electronic scale is suitable for measuring tensile and compression loads. It is available for two load ranges, up to 1000 kg and up to 2000 kg. On request, this scale can be supplied for use as a force gauge; the load ranges are then up to 10 kN and up to 20 kN. The hanging scale consists of a transducer and a hand-held terminal. These are firmly connected to each other with a cable. The display of the hand-held terminal can show the current measured values as well as the peak values of both load directions.

The transducer, a shear-force load cell, is insensitive to transverse forces. This ensures that the scale provides very accurate measurements. The transducer can be adapted in various ways with the two mounting threads. Furthermore, spherical rod ends and eyebolts are available as accessories.

You can request the firmware version, the date of the last calibration and the serial number of your device via an easy-to-use menu. In this menu, you can also set the auto-off time for saving the batteries, the desired measuring rate and the display contrast.

Four batteries of type AA which can be easily replaced by the user supply the scales with power.

Features

- | Low self-weight
- | Nominal loads: 1000 kg or 2000 kg, or 10 kN or 20 kN
- | Zero positioning and taring
- | Measure the top load in positive and negative direction of force
- | 4 x batteries type AA
- | Requests/settings via one menu
- | Optional with spherical rod ends or eyebolts

Applications

- | Dynamometer
- | Force gauge
- | Tensile and compression applications
- | Weighing operations or force measurement in many different fields

Selection table

Type	Nominal load	Sensitivity/ display increments	Mounting threads	Self-weight (without mountings)	Material of transducer
ZW6.0 / 1000	1000 kg 10000 N	0.1 kg 1 N	2x M16	1.5 kg	Steel
ZW6.0 / 2000	2000 kg 20 kN	1 kg 0.01 kN	2x M16	1.5 kg	Steel

Technical data

Overload	1.2x nominal load
Display	12 digits, 2 lines
Accuracy	±0.25 % f.s. (under tension <i>or</i> compression) (under tension <i>and</i> compression available on request)
Measuring rate	configurable: 10, 20 or 100 Hz
Power supply	4 x battery type AA
Operating time	>8h continuous operation
Auto-off time	configurable: 8, 30, 60 min / off
Operating temperature	0 °C to +50 °C
Storage temperature	-20 °C to +70 °C
Protection class	
of the hand terminal	IP 40
of the transducer	IP 67
Housing of hand terminal	ABS
Dimensions of hand terminal	78 mm x 145 mm x 44 mm (w x l x h)
Dimensions of transducer	25 mm x 80 mm x 80 mm (w x l x h)
Cable	FDCP plus 4 x 0.25 mm ² , length 5 m

Calibration

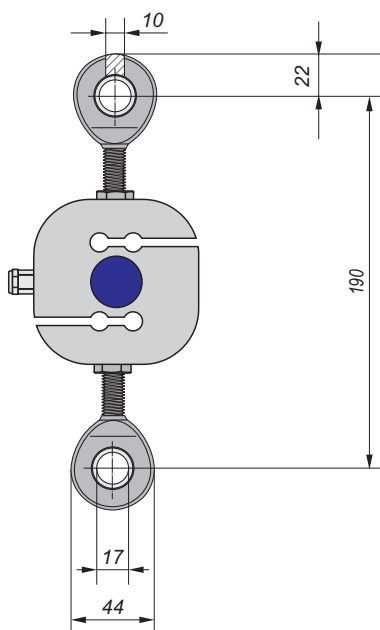
As scale	Under tension <i>or</i> compression: display in kg
As force gauge	Under tension <i>or</i> compression: display in N / kN Under tension <i>and</i> compression: display in N / kN Accuracy on request

Options

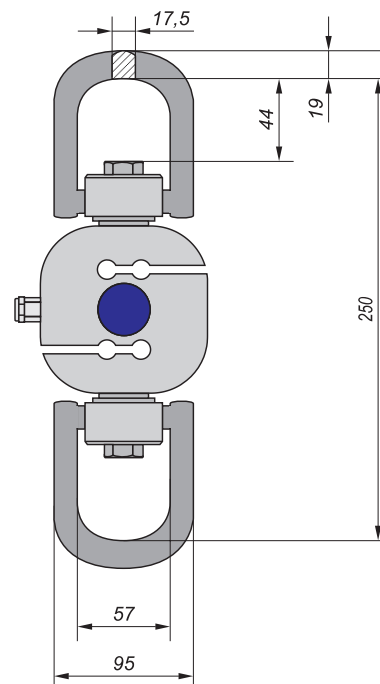
- Mechanical overload protection for compression loads
- Accessories: spherical rod ends, eyebolts for installation

Dimensions

Transducer with spherical rod ends (optional)



Transducer with eyebolts (optional)



Dimensions in mm