

Weight measurement on LIFTING equipment.



D200-WIMOD

from 20t to 100t



T20-WIMOD

from 5t to 20t



GR5-WIMOD

from 500kg to 9.5t



ACCURATEZZA
 $\leq \pm 0.05\%$
ACCURACY



FACILE APPLICAZIONE
EASY APPLICATION

The *Wireless* digital crane scales are proposed as tools for a completely independent measurement of weight, to be applied directly on lifting equipment such as cranes, hoists, etc.

Their flexibility combined with an high transmission distance measurement (over **100m**) make these tools widely used in various industrial activities where is needed to check the weights of machineries, equipments, containers, industrial components, artifacts, etc.



The dynamometer consists of a load cell made entirely of stainless steel type GR5, T20 or D200 coupled to a **WIMOD** transmitter powered by an internal rechargeable battery which ensures high battery life of 1000 hours without recharge.

Load cells can cover a large measuring range, starting from **500kg** to **100t** with accuracy within **0.05%** of full scale.

The GR5 model is equipped with appropriate crickets for direct mounting on the hooks of the lifting tools, while for T20 and D200 models crickets are managed on demand.

The **WISTAR** is an handheld professional indicator that can be used to read the measurements transmitted.

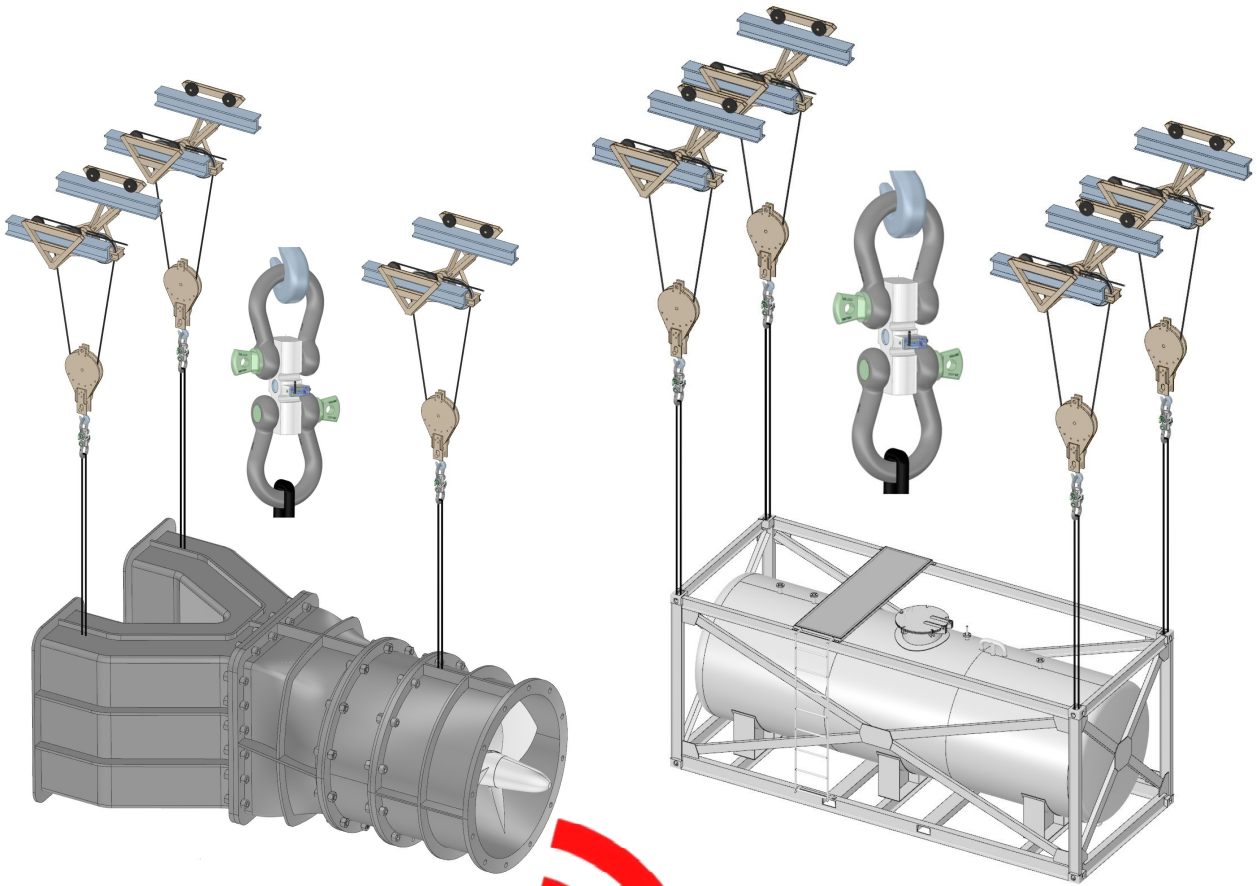
The indicator is equipped with rechargeable battery that allows to view the **SINGLE WEIGHT** of 1, 2, 3, 4 dynamometers on real time (coming by different models and capacities), and to display the **TOTAL** weight (the sum of 2, 3 or 4 dynamometers).

In addition to the traditional functions of ZERO, HOLD, PEAK, the measurements can be stored (by pressing the REC button) in the Data logger internal memory.

Once the measuring activity is finished it is possible to download all items stored on the PC with the recording date and time.

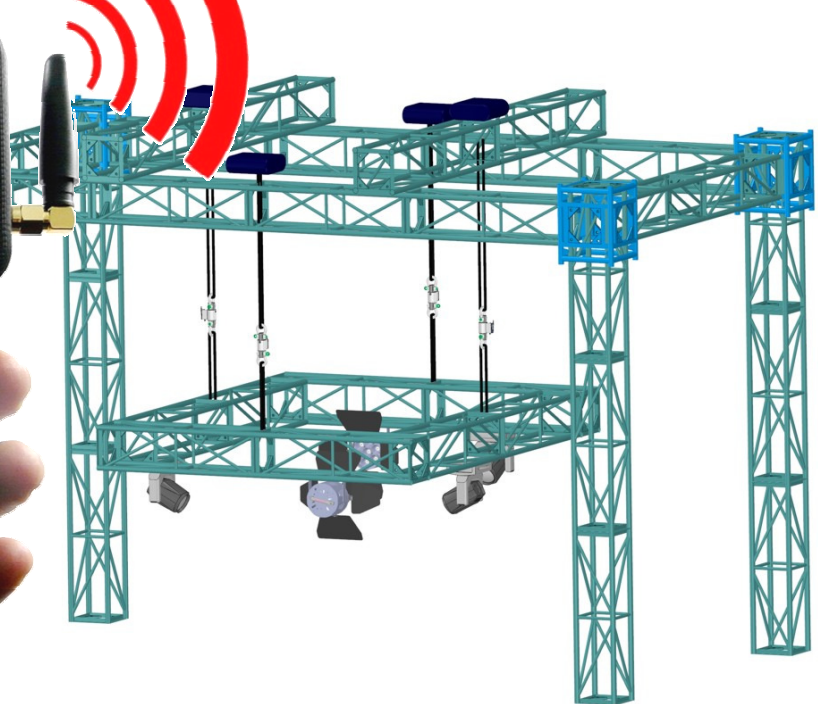
The instrument is provided with an aluminum case and an USB port to be easily connected to PC.

Application fields:



Lifting system composed by 3 dynamometers

Lifting system composed by 4 dynamometers



Lifting system composed by 4 dynamometers, used to verify the load distribution on floating stages or structures on real time basis.

TECHNICAL DATA:

TYPE	GR5 - WIMOD				
NOMINAL LOAD	500kg	1t	3t	6.5t	9.5t
RESOLUTION	0.1kg	0.2kg	0.5kg	1kg	1 kg
ACCURACY CLASS	≤±0.05% F.S.				
LOAD LIMIT	150% F.S.				
COEFFICIENT OF SECURITY	> 5				

TYPE	T20 - WIMOD				
NOMINAL LOAD	5t	7.5t	10t	15t	20t
RESOLUTION	1kg	1kg	2kg	2kg	2kg
ACCURACY CLASS	≤±0.05% F.S.				
LOAD LIMIT	150% F.S.				
COEFFICIENT OF SECURITY	> 3				

TYPE	D200 - WIMOD				
NOMINAL LOAD	20t	30t	50t	75t	100t
RESOLUTION	2kg	2kg	5kg	5kg	10kg
ACCURACY CLASS	≤±0.10% F.S.				
LOAD LIMIT	150% F.S.				
COEFFICIENT OF SECURITY	> 3				

WORKING TEMPERATURE	-10/+50 °C
READINGS PER SECOND	programmable from 1 to 10
WIMOD case execution	Aluminum
DYNAMOMETER case execution	Stainless Steel
Max DISTANCE	over 100 m (in free area)
WIMOD PROTECTION CLASS	(EN 60529) IP65

In case of an EXTERNAL APPLICATIONS, where is needed an **IP67** protection or even higher, it is recommended to use the standard load cell with a direct cable output (IP67 or IP68) and then to mount a WIMOD transmitter inside an hermetic box IP67.



This box **MUST** be plastic made, to doesn't affect the Wireless transmission.



For more information about **WIMOD – WISTAR - GR5A - T20 - D200**
Visit our website www.aep.it

AEP transducers


Dasa-Rägister
 EN ISO 9001:2008
 IQ-1100-01


 LAT N° 093
Calibration Centre
 The products are NOT covered by accreditation


ATEX **Ex**
 Production Quality Assurance Certified n°
TÜV 06 ATEX 553793 Q

41126 Cognento (MODENA) Italy Via Bottego 33/A Tel:+39-(0)59-346441 Fax:+39-(0)59-346437 E-mail: aep@aep.it

Al fine di migliorare le prestazioni tecniche del prodotto, la società si riserva di apportare variazioni senza preavviso.
In order to improve the technical performances of the product, the company reserves the right to make any change without notice.