

## XC4132 – 720p TVI/AHD & Analog Weatherproof IR Camera



**720p TVI/AHD/CVI + Analog**

**1.0MP**

**300m by RG6**

**IP66**

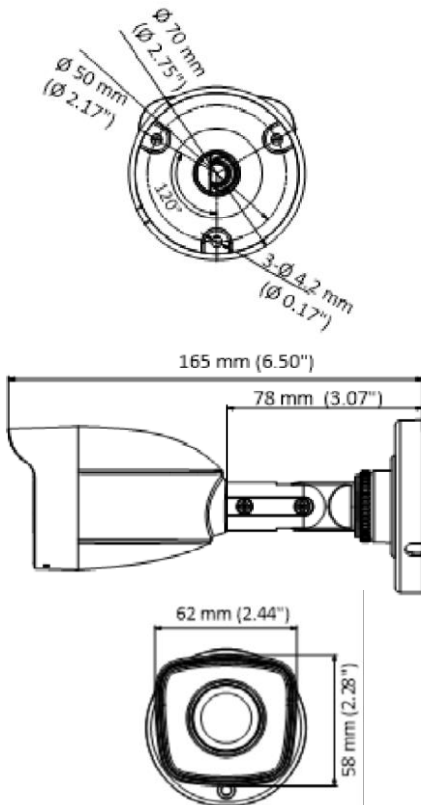
**TDN**

**20m IR**

### Features

- 1.0 Megapixel CMOS Sensor
- **720p TVI/AHD/CVI** or
- **700 TVL Analog** output
- 300m cable distance by RG6
- 3.6mm Fixed Lens
- 2D-DNR
- TDN (True Day & Night) or Filter Change
- LED Array
- 0 Lux up to 20m
- Weatherproof IP66
- Wall/Ceiling Mount

### DIMENSION



### SPECIFICATION

Model	XC4132
Image Sensor	1.0MP CMOS Sensor
Resolution	720p, 1296x736 Pixels
Shutter	1/25s ~ 1/50,000s
Lens	M12 3.6mm Fixed Lens
Video Output	720p TVI/AHD or CVBs @25fps
Day & Night	Filter Change or True Day&Night (TDN)
Minimum Illumination	0 Lux up to 20m
LEDs	850nm IR LED Array
S/N Ratio	>62 DB
Casing	Aluminum with Epoxy Powder Coating
Working Environment	-20° ~ +60°C, Non-Condensing
Power	12VDC, Max. 400mA
Dimension (mm)	62 x 58 x 165(L) mm, 400g