

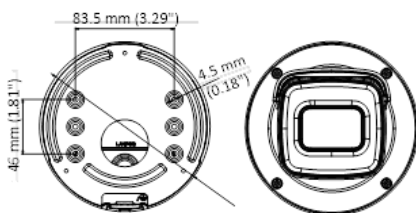
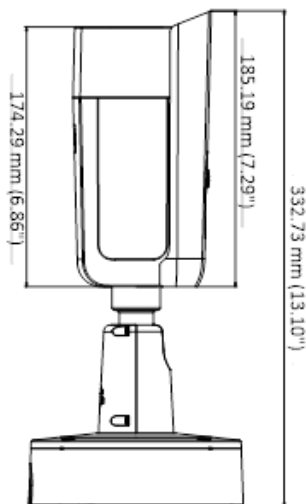
CNC4335M-SL – 2MP 50m IR Starlight Motorized IP Camera



Features

- 2.0 MP 1920x1080 @25fps
- **H.265+** High Profile
- ONVIF compatible
- **2.8-12mm Motorized** Lens
- **120dB WDR**, DSS, 3D-DNR, BLC
- ROI, Mirror, Privacy Mask, 3-Stream
- Day&Night by Filter Change
- **Starlight** (0.005Lux @F1.2)
- LED Array, 0 Lux up to 50m
- Support uSD card up to 128GB
- Audio : 1 in 1 out
- Alarm : 1 in 1 out
- Smart : Line Crossing, Intrusion Detection, Face Detection, Object Removal, Unattended baggage
- IP67 Weatherproof
- 1 Key Reset, IP address filter

SPECIFICATION



Model	CNC4335M-SL
Image Sensor	1/3" progressive scan CMOS Sensor
Resolution	1920x1080@25fps (PAL)
Shuttle	1/s ~ 1/100,000s
Lens	M12 4/6mm Fixed Lens
LEDs	LED Array
Day & Night	Filter Change or TDN (True Day & Night)
Min. Illumination	0 Lux up to 50m
Network	10/100-BaseT, RJ45, 32Kbps ~ 16Mbps
Compression	Tri- Stream : H.265+ / H.264 / MJPEG
W. Environment	-30°~+60°C, <90° Humidity (Non-Condensing)
Power	POE or 12VDC, Max. 16.5W (IR-On)
Dimension	145mm x 145mm x 332mm(L), 1.9kg

* Specification maybe changed without prior notice