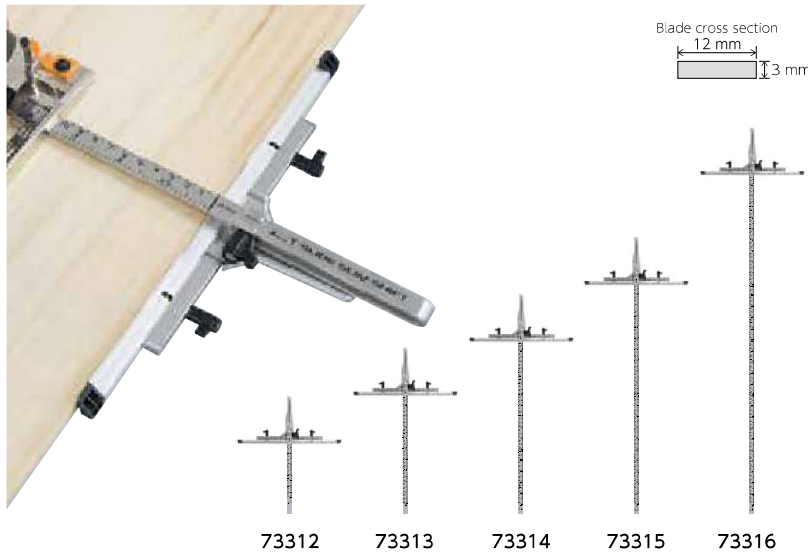


- Carpenter's Squares
- Stainless Steel Rules / Machine Scale
- Aluminum Rules
- Resin Folding Rules / Bamboo Rules
- Squares / Protractors
- Vernier Calipers / Micrometers
- Tape Measures
- Surveying Products
- Scales
- Levels
- Lasers / Optical Equipment
- Lines / Chalklines / Plumblines
- Circular Saw Guides
- Construction Tools
- Industrial Tools
- Thermometers / Hygrometers / Infrared Measuring Instruments
- Outdoor Products
- Magnifying Glasses
- Drawing Tools
- Magnets

Circular Saw Guide T-Slide Slim-shift



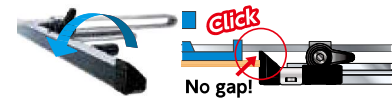
Item Code	Description	Body Size (mm)	Weight (g)	JAN Code	Packing Unit	Package
73312	15 cm/shaku	325×275×20	250	4 960910 733121	6	
73313	30 cm/shaku	460×275×20	287	4 960910 733138		
73314	45 cm/shaku	610×275×20	326	4 960910 733145		
73315	60 cm/shaku	760×275×20	370	4 960910 733152		
73316	90 cm/shaku	1,060×275×20	451	4 960910 733169		

Refer to P. 2 about the shaku scale

Features

- Can be used for both thin board and narrow width cuts. Bring edge up to cut thin boards without them moving into the T-slide itself. Or, fold the edge down for narrow width cuts.

Thin board mode



Narrow width mode



- Provides optimum end height so that even when cutting with 9 mm boards stacked on each other, it will not interfere with the second board



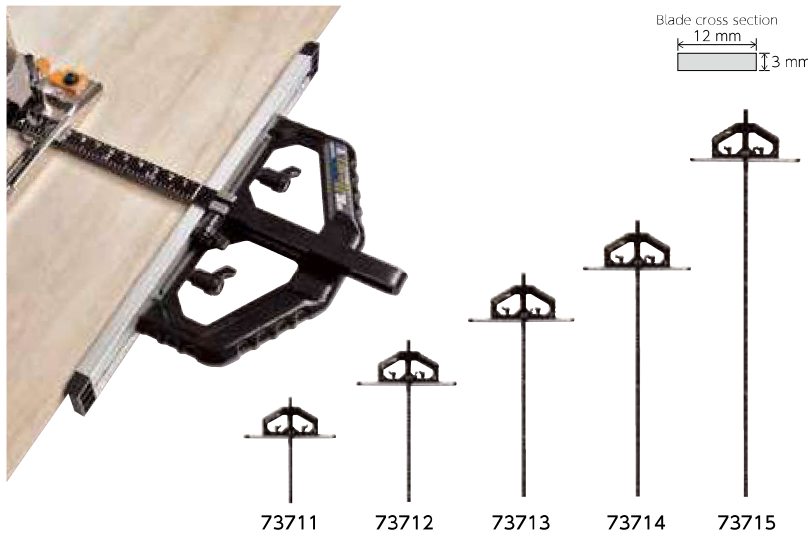
Use

- As a guide rule when cutting thin wooden boards into smaller, long strips with an electric circular saw
- As a guide rule when cutting wooden boards into smaller, long strips with an electric circular saw

Specifications

Material	Beam, Joint: Stainless steel End: Aluminum, UHPE tape Protective Cap, Stopper Screw: Polycarbonate resin (end) Mounting Position Adjustment Screw: Polyacetal resin (Guide stabilization metal fitting)
----------	--

Circular Saw Guide T-Slide II



Item Code	Description	Body Size (mm)	Weight (g)	JAN Code	Packing Unit	Package
73711	15 cm/shaku	327×275×30	368	4 960910 737112	4	
73712	30 cm/shaku	462×275×30	405	4 960910 737129		
73713	45 cm/shaku	612×275×30	448	4 960910 737136		
73714	60 cm/shaku	762×275×30	490	4 960910 737143		
73715	90 cm/shaku	1,062×275×30	575	4 960910 737150		

Refer to P. 2 about the shaku scale

Features

- Newly designed stabilizer



Stabilizer prevents arm from shaking in any direction

- Quick-shift lock mechanism fixes arm easily and tightly



- Fence high enough for 3 pieces of 9 mm thick material



Use

- As a guide rule when cutting wooden boards into smaller, long strips with an electric circular saw

Specifications

Material	Arm: Iron Slider: Aluminum, UHPE tape Protective Cap, Edge Guide, Edge Clamping Plate: ABS resin Clamp Lever: Polyacetal resin
----------	---

Circular Saw Guide T-Slide Basic



Item Code	Description	Body Size (mm)	Weight (g)	JAN Code	Packing Unit	Packaging
73591	15 cm/shaku	280×220×15	164	4 960910 735910	8	
73592	30 cm/shaku	430×220×15	207	4 960910 735927	8	
73593	45 cm/shaku	580×220×15	249	4 960910 735934	8	
73594	60 cm/shaku	730×220×15	292	4 960910 735941	8	

Refer to P. 2 about the shaku scale

Features

- Since the arm comes out directly from the slider, it can be fixed securely to thin boards even less than 5 mm without any risk of the board penetrating the space between the arm and slider



- Hard-to-rust, rigid construction due to all stainless steel material (SUS304)

- 3D structure formed from a single sheet of stainless steel material makes it both strong and lightweight

Back Side

- Includes holes for attaching wood as spacer with wood screws, which enables cutting to a narrow width

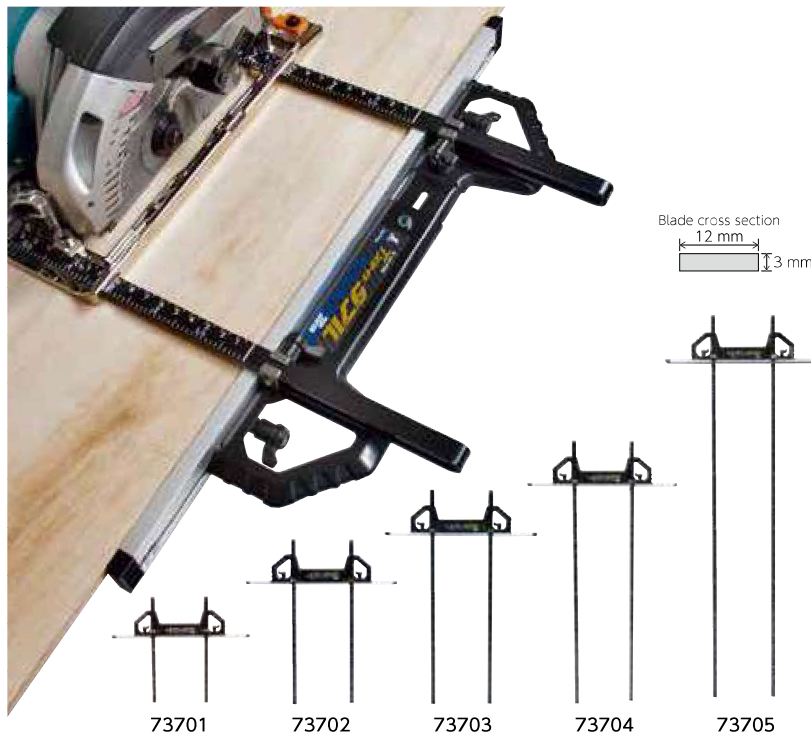
Use

- As a guide rule when cutting wooden boards into smaller, long strips with an electric circular saw

Specifications

Material	Stainless steel
----------	-----------------

Circular Saw Guide T-Slide Double

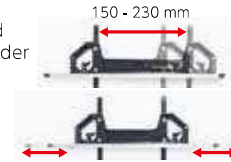


Item Code	Description	Body Size (mm)	Weight (g)	JAN Code	Packing Unit	Packaging
73701	15 cm/shaku	327×425×30	650	4 960910 737013	4	
73702	30 cm/shaku	462×425×30	730	4 960910 737020	4	
73703	45 cm/shaku	612×425×30	830	4 960910 737037	4	
73704	60 cm/shaku	762×425×30	920	4 960910 737044	4	
73705	90 cm/shaku	1,062×425×30	1,090	4 960910 737051	4	

Refer to P. 2 about the shaku scale

Features

- Combined double slider



Interval between the two arms and the position of slider can be adjusted separately

- Newly designed stabilizer



Stabilizer prevents arm from shaking in any direction

- Quick-shift lock mechanism fixes arm easily and tightly



- Fence high enough for 3 pieces of 9 mm thick material



Use

- As a guide rule when cutting wooden boards into smaller, long strips with an electric circular saw

Specifications

Material	Arm: Iron Slider: Aluminum, UHPE tape Protective Cap/Edge Guide/ Edge Clamping Plate: ABS resin Clamp Lever: Polyacetal resin
----------	---