

Parts List

Carpenter's Square with Fence



99080



Item Code	C.D.	Catalog Printing Page	Description
99080	7	23	Countersunk screws for Carpenter's Square with Fence

Rule Stopper



82415



82873



Item Code	C.D.	Catalog Printing Page	Description
82415	7	32	Stopper screw for Rule Stopper for 15, 30, 60 cm
82873	5	32	Stopper screw for Rule Stopper for 1, 1.5, 2 m

Aluminum Rule Non-Slip Pad



84270

Item Code	C.D.	Catalog Printing Page	Description
84270	0	38	Non-slip pad for Aluminum Rule 30 - 60 cm, 1 m

Aluminum Cutting Rule

85518



99556

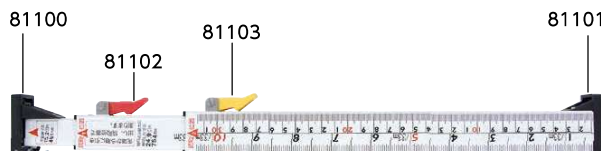


84259



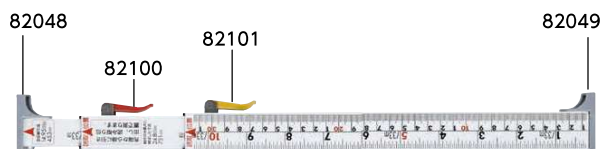
Item Code	C.D.	Catalog Printing Page	Description
85518	2	39	Handle, screw set for Aluminum Cutting Rule EX
99556	7	40	Handle, screw set for Aluminum Cutting Rule
84259	5	40	Handle for Aluminum Cutting Rule Light
80741	9	39	Non-slip rubber sheet for Aluminum Cutting Rule EX 60 cm, 1 m
82650	2	39	Non-slip rubber sheet for Aluminum Cutting Rule EX 1.5 cm, 2 m
73930	7	40	Non-slip rubber for Aluminum Cutting Rule

Telescopic Measure One Direction II



Item Code	C.D.	Catalog Printing Page	Description
81102	7	41	Stopper lever 1 red, shaft, screw set for Telescopic Measure One Direction II
81103	4	41	Stopper lever 2 yellow, shaft, screw set for Telescopic Measure One Direction II
81100	3	41	Plastic end A with hook, nut, screw set for Telescopic Measure One Direction II
81101	0	41	Plastic end B, nut, screw set for Telescopic Measure One Direction II

Telescopic Measure One Direction



Item Code	C.D.	Catalog Printing Page	Description
82100	2	41	Stopper lever ① red, shaft, screw set for Telescopic Measure One Direction
82101	9	41	Stopper lever ② yellow, shaft, screw set for Telescopic Measure One Direction
82048	7	41	Upper cap, screw set for Telescopic Measure One Direction
82049	4	41	Lower cap, screw set for Telescopic Measure One Direction

Telescopic Measure Two Directions



Item Code	C.D.	Catalog Printing Page	Description
81551	3	42	Side cap, screw set for Telescopic Measure Two Directions
99755	4	42	Stopper knob ① red for Telescopic Measure Two Directions
99756	1	42	Stopper knob ② yellow for Telescopic Measure Two Directions

Shaku Measure, Ken Measure, Sumiki Shaku Measure



Item Code	C.D.	Catalog Printing Page	Description
99553	6	42/43	Rubber cap for Shaku Measure, Ken Measure, Sumiki Shaku Measure

Please be aware that we will no longer provide components for discontinued products once the inventory runs out after discontinuation (however, this is limited to three years after discontinuation)

JAN code number is "4960910 + item code + C.D."

Parts List

Japan Calibration Service System (JCSS)

Etching

Sheet Heaters

Custom-Made Items

Name Printing

Index Description

Index Description

Parts List
Japan Calibration Service System (UCSS)
Etching
Sheet Heaters
Custom-Made Items
Name Printing
Index Code Description
Index Code Description

Japanese Sliding Bevel

99559

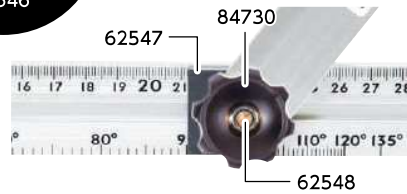


Item Code	C.D.	Catalog Printing Page	Description
99559	8	48	Nut, center screw set for Japanese Sliding Bevel

Aluminum Sliding Bevel



62546



62547

84730

62548

84730



62547



62548



*The nut and plastic washer can also be used for Welding Guide Rule.

Item Code	C.D.	Catalog Printing Page	Description
84730	9	49	Grip Nut for Aluminum Sliding Bevel
62546	4	49/148	Nut for Aluminum Sliding Bevel and Welding Guide Rule
62547	1	49/148	Plastic washer for Aluminum Sliding Bevel and Welding Guide Rule
62548	8	49	Center screw for Aluminum Sliding Bevel

Protractor

No.30



99506

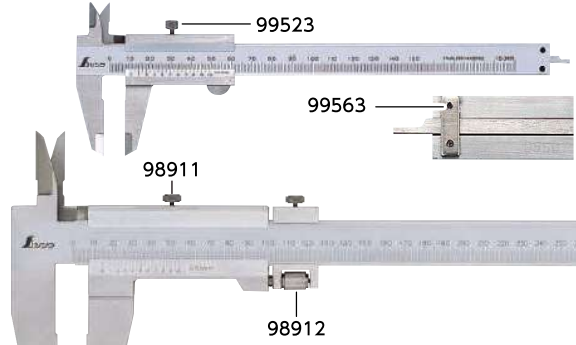
No.101



99507

Item Code	C.D.	Catalog Printing Page	Description
99505	5	51/52	Nut, washer set for Protractor No.19
99506	2	51	Nut, washer, brass washer set for Protractor No.30
99507	9	51	Nut, center screw set for Protractor No.101
99516	1	51	End nut, iron bolt set for Protractor No.300 Double-blade
99517	8	51	End nut, iron bolt set for Protractor No.600 Double-blade
99518	5	51	End nut, iron bolt set for Protractor No.1000 Double-blade

Vernier Caliper



Item Code	C.D.	Catalog Printing Page	Description
99523	9	53	Stopper knob for Vernier Caliper 150 mm
99563	5	53	Depth probe holding plate, screw set for Vernier Caliper 150 mm
99524	6	53	Stopper knob for Vernier Caliper 200 mm
99564	2	53	Depth probe holding plate, screw set for Vernier Caliper 200 mm
99567	3	53	Depth probe holding plate, screw set for Vernier Caliper 300 mm
98911	5	53	Stopper knob for Vernier Caliper 450, 600 mm
98912	2	53	Fine adjustment knob for Vernier Caliper 450, 600 mm
98913	9	53	Stopper knob for Vernier Caliper 1000 mm
98914	6	53	Fine adjustment knob for Vernier Caliper 1000 mm
99525	3	54	Stopper knob for Mini Vernier Caliper 100 mm
99565	9	54	Depth probe holding plate, screw set for Mini Vernier Caliper 100 mm
82890	2	54	Stopper knob for Mini Vernier Caliper 70 mm

Digital Vernier Caliper

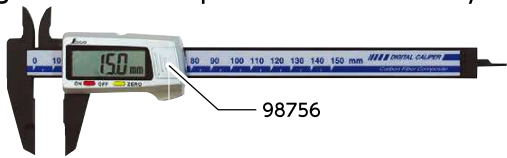


Item Code	C.D.	Catalog Printing Page	Description
98771	5	55	Battery cap, screw set for Digital Vernier Caliper Mini
98764	7	55	Battery cap, screw set for Digital Vernier Caliper 150 - 300 mm
98907	8	55	Battery cap for Digital Vernier Caliper 450, 600 mm
98908	5	55	Battery cap for Digital Vernier Caliper 1000 mm
98765	4	55	Depth probe holding plate, screw set for Digital Vernier Caliper 150 mm and 200 mm
98766	1	55	Depth probe holding plate, screw set for Digital Vernier Caliper 300 mm
98767	8	55	Stopper knob for Digital Vernier Caliper 150 - 300 mm
98909	2	55	Fine adjustment knob for Digital Vernier Caliper 450, 600 mm
98910	8	55	Fine adjustment knob for Digital Vernier Caliper 1000 mm
98774	6	55	Digital part replacement for Digital Vernier Caliper Mini *
98768	5	55	Digital part replacement for Digital Vernier Caliper 150 mm *
98769	2	55	Digital part replacement for Digital Vernier Caliper 200 m *
98770	8	55	Digital part replacement for Digital Vernier Caliper 300 mm *
98905	4	55	Digital part replacement for Digital Vernier Caliper 450, 600 mm *
98906	1	55	Digital part replacement for Digital Vernier Caliper 1000 mm *

*Please ask about digital unit replacement service

Please be aware that we will no longer provide components for discontinued products once the inventory runs out after discontinuation (however, this is limited to three years after discontinuation)

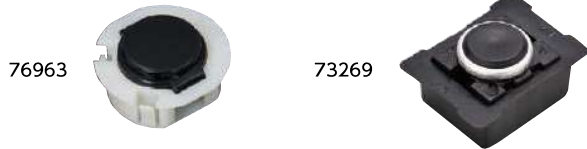
Digital Vernier Caliper Carbon Fiber Body



98756

Item Code	C.D.	Catalog Printing Page	Description
98755	5	56	Battery cap for Digital Vernier Caliper Carbon Fiber Body 100 mm
98756	2	56/57	Battery cap for Digital Vernier Caliper Carbon Fiber Body 150 mm and Digital Depth Gauge

Telescopic Leveling Staff



Item Code	C.D.	Catalog Printing Page	Description
76963	2	66	Lock button for Telescopic Leveling Staff
73269	8	66	Lock button for Telescopic Leveling Staff II

Measuring Wheel



77199

Item Code	C.D.	Catalog Printing Page	Description
77199	4	—	Rubber wheel for Measuring Wheel B20-S

Digital Scale with Plate



70120

70121

Item Code	C.D.	Catalog Printing Page	Description
70120	5	81	Stainless steel plate for Digital Scale
70121	2	81	Plastic plate for Digital Scale

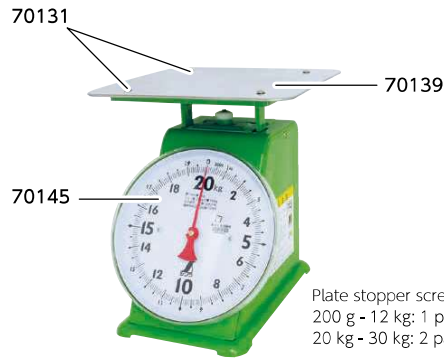
Digital Scale with Stand



97217

Item Code	C.D.	Catalog Printing Page	Description
97217	9	82	AC adapter for Digital Scale with Stand 100 kg

Scale



70131

70139

70145

Plate stopper screws for
200 g - 12 kg: 1 pair needed
20 kg - 30 kg: 2 pairs needed

Item Code	C.D.	Catalog Printing Page	Description
70128	1	83	Plate flat type for Scale 200 g - 1 kg
70129	8	83	Plate flat type for Scale 2 kg - 12 kg
70139	7	83	Plate flat type for Scale 20 kg
70140	3	83	Plate flat type for Scale 30 kg
70143	4	83	Plastic cover for Scale 200 g - 1 kg
70144	1	83	Plastic cover for Scale 2 kg - 12 kg
70145	8	83	Plastic cover for Scale 20 kg
70146	5	83	Plastic cover for Scale 30 kg
81521	6	83	Plastic cover for Scale 50 kg
70131	1	83	Plate fixing screw one pair (2 pc-set) for Scale 200 g - 30 kg

Slope Level



47049

Item Code	C.D.	Catalog Printing Page	Description
47049	1	87	Vial cover for Slope Level

Mini Level



84267

Item Code	C.D.	Catalog Printing Page	Description
84267	0	91	Band for Mini Level H

Blue Level Digital



46967

Item Code	C.D.	Catalog Printing Page	Description
46967	9	92	Digital part replacement for Blue Level Digital*
98925	2	92	Battery cap for Blue Level Digital

*Please ask about digital unit replacement service

Please be aware that we will no longer provide components for discontinued products once the inventory runs out after discontinuation (however, this is limited to three years after discontinuation)

JAN code number is "4960910 + item code + C.D."

Parts List

Japan Calibration Service System (JCSS)

Etching

Sheet Heaters

Custom-Made Items

Name Printing

Index Description

Index Description

Parts List
Japan Calibration Service System (UCSS)
Etching
Sheet Heaters
Custom-Made Items
Name Printing
Index Item Code Description
Index Description Item Code

Laser ROBO

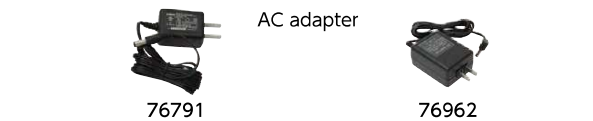
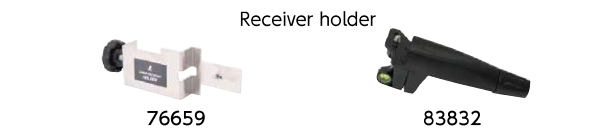
Level adjustment tripod adapter



Emitting port protective cap

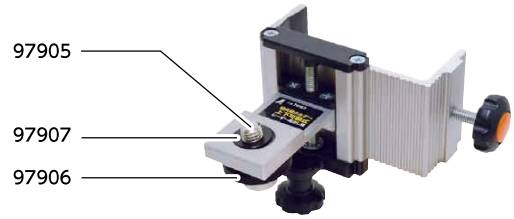


Battery storage cap



Item Code	C. D.	Catalog Printing Page	Description
76768	3	97-	Level adjustment tripod adapter for Laser ROBO Neo, E Sensor and X line
76924	3	109	Level adjustment tripod adapter for Laser ROBO Fine BRIGHT
80826	3	97	Emitting port protective cap for Laser ROBO X line
80802	7	97	Battery storage cap for Laser ROBO X line Green
80801	0	97	Battery storage cap for Laser ROBO X line Red
80800	3	100	Battery storage cap for Laser ROBO Green Neo E Sensor
80799	0	101	Battery storage cap for Laser ROBO Neo E Sensor
80713	6	104	Battery storage cap for Laser ROBO Green Neo AR BRIGHT
80732	7	105	Battery storage cap for Laser ROBO Neo AR BRIGHT
80773	0	106	Battery storage cap for Laser ROBO Green Neo BRIGHT
81210	9	107	Battery storage cap for Laser ROBO Neo BRIGHT
80733	4	104/105	Handle for Laser ROBO Neo AR BRIGHT
67823	1	100-	Handle for Laser ROBO Neo BRIGHT and E Sensor
80781	5	97-	Toe for Laser ROBO Neo BRIGHT, E Sensor and X line
82228	3	97	Aluminum case for Laser ROBO X line
82235	1	100-	Aluminum case for Laser ROBO Neo BRIGHT and E Sensor
76925	0	109	Aluminum case for Laser ROBO Fine BRIGHT
76659	4	110	Holder for Laser Receiver, model II and Plus
83832	1	112	Receiver holder for Rotating Laser H-2, HV-2
76791	1	97-	AC adapter for Laser ROBO Green, E Sensor and X line
76962	5	109	AC adapter for Laser ROBO Fine 3C

Laser Holder



Item Code	C. D.	Catalog Printing Page	Description of Product
97905	5	111	Fixing screw for Laser Holder
97906	2	111	Aluminum nut large for Laser Holder
97907	9	111	Aluminum nut small for Laser Holder

Auto Level



Item Code	C. D.	Catalog Printing Page	Description
73844	7	112	Storage case for Auto Level SA-24A and 28A
46804	7	112	Protective cap for Auto Level SA-24A and 28A

Tripod



Item Code	C. D.	Catalog Printing Page	Description
83701	0	113	Handle for Tripod with Handle A
98917	7	113	Handle for Tripod with Handle B
98919	1	113	Handle for Tripod with Handle C
81570	4	113	Stopper screw for Tripod with Handle A
81856	9	113	Carrying case for Tripod with Handle A
97531	6	113	Adjustment core for Tripod Spherical Head
97533	0	113	Stopper screw on adjustment core rail for Tripod Spherical Head

Please be aware that we will no longer provide components for discontinued products once the inventory runs out after discontinuation (however, this is limited to three years after discontinuation)

Handy Ink Line Marker PRO/Jr. Plus



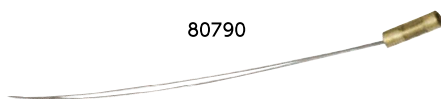
Item Code	C. D.	Catalog Printing Page	Description
93287	6	115	Spring set (with string) for Handy Ink Line Marker PRO Plus Tough Line
93288	3	115	Spring set (with string) for Handy Ink Line Marker Jr. Plus Tough Line
93297	5	115	Spring set (with string) for Handy Ink Line Marker Pro Plus Sharp Line
93298	2	115	Spring set (with string) for Handy Ink Line Marker Jr. Plus Sharp Line
93280	7	116	Spring set (with string) for Handy Ink Line Marker PRO Plus
93281	4	116	Spring set (with string) for Handy Ink Line Marker Jr. Plus

Handy Ink Line Marker Pro/Jr. LITE



Item Code	C. D.	Catalog Printing Page	Description
93300	2	117	Spring set (with string) for Handy Ink Line Marker PRO LITE
93301	9	117	Spring set (with string) for Handy Ink Line Marker Jr. LITE

Handy Ink Line Marker Mini α



Item Code	C. D.	Catalog Printing Page	Description
80790	7	—	Threader for Handy Ink Line Marker Mini α

Handy Ink Line Marker SUMIWAZA



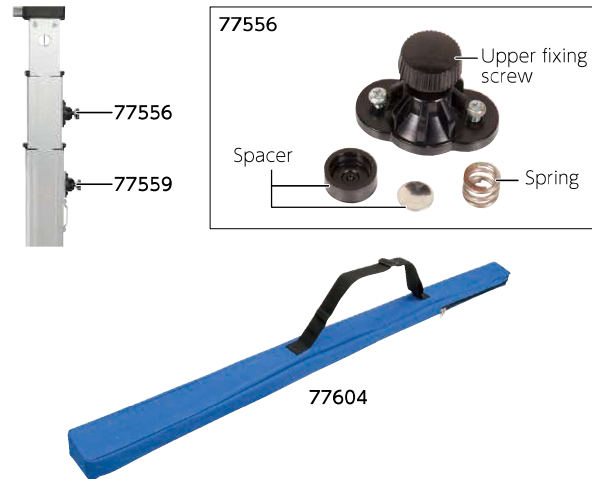
Item Code	C. D.	Catalog Printing Page	Description
77907	5	118	Ratchet ring for Handy Ink Line Marker SUMIWAZA and Mini α
83653	2	118	Thread holding guide for Handy Ink Line Marker SUMIWAZA

Handy Chalk Line Neo



Item Code	C. D.	Catalog Printing Page	Description
80665	8	119	Screw for Handy Chalk Line Neo

Wind-resistant Plumb



Item Code	C. D.	Catalog Printing Page	Description
77553	4	123	Rubber band for Wind-resistant Plumb
77556	5	123	Upper fixing screw, spacer, spring set for Wind-resistant Plumb
77559	6	123	Lower fixing screw, spacer, spring set for Wind-resistant Plumb
77604	3	123	Carrying case for Wind-resistant Plumb

Holder for Wind-resistant Plumb with Quick Arm



Item Code	C. D.	Catalog Printing Page	Description
77648	7	123	Arm for Holder for Wind-resistant Plumb with Quick Arm

Handy Plumb Holder Pro



Item Code	C. D.	Catalog Printing Page	Description
77926	6	124	Pin cover for Handy Plumb Holder Pro Auto-rewind Red
77959	4	124	Pin cover for Handy Plumb Holder Pro Hand-rewind Blue
77811	5	124	Coil Spring for Handy Plumb Holder Pro

Please be aware that we will no longer provide components for discontinued products once the inventory runs out after discontinuation (however, this is limited to three years after discontinuation)

JAN code number is "4960910 + item code + C.D."

Parts List
Japan
Calibration
Service system
(JCSS)
Etching
Sheet
Heaters
Custom-
Made Items
Name
Printing
Index
Item Code
Description
Index
Item Code
Description

Handy Plumb Holder Jr.



Item Code	C. D.	Catalog Printing Page	Description
78094	1	124	Pin cover for Handy Plumb Holder Jr.
77956	3	124	Coil Spring for Handy Plumb Holder Jr.

Circular Saw Guide L-Angle Series Handle



83737
L-Angle II
L-Angle Adjust



99608
L-Angle with Support Plate
L-Angle with Horizontal Graduations
L-Angle for Left Hand



99552
L-Angle/L-Angle II
L-Angle Adjust
L-Angle EX



98790
L-Angle EX 45 cm and 60 cm



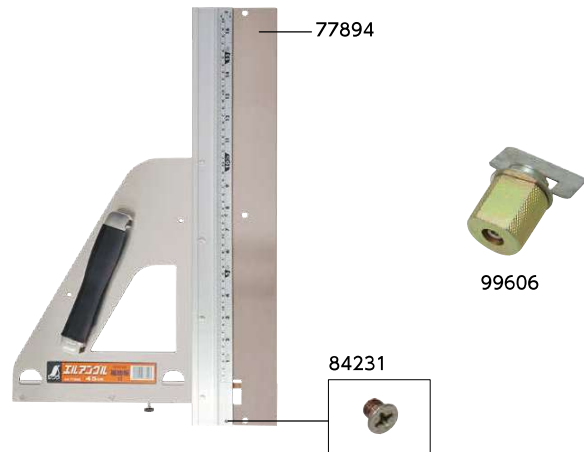
98791
L-Angle EX 1 m



93310
L-Angle Plus

Item Code	C. D.	Catalog Printing Page	Description
83737	9	—	Handle for L-Angle II and L-Angle Adjust
99608	3	136/137	Handle for L-Angle with Support Plate, with Horizontal Graduations, and for Left Hand
99552	9	132-	Handle installing screw for L-Angle II, Adjust, and EX
98790	6	132	Handle screw set for L-Angle EX 45 cm and 60 cm
98791	3	132	Handle screw set for L-Angle EX 1 m
93310	1	133-	Handle non-slip rubber, screw set for L-Angle Plus

Circular Saw Guide L-Angle Series



83464
Mini Free Angle II
L-Angle II
L-Angle EX

Item Code	C. D.	Catalog Printing Page	Description
77894	8	136	Support plate for L-Angle with Support Plate 45 cm
77884	9	136	Support plate for L-Angle with Support Plate 60 cm
77893	1	136	Support plate for L-Angle with Support Plate 1 m
84231	1	136	Support plate installing screw for L-Angle with Support Plate
99249	8	135-	Cutout positioning stick fixing screw for L-Angle II, Plus, with Support Plate, with Horizontal Graduations, and for Left Hand
80925	3	134/141	Cutout positioning stick fixing screw for L-Angle Adjust and Free Angle Neo
99606	9	136/136	Bracing fitting for L-Angle for L-Angle with Support Plate, with Horizontal Graduations, and for Left-hander 1 m
93316	3	133	Adjustment knob, movable pin, indicator, washer set for L-Angle Plus Shift
93401	6	134	Fine adjustment screw set for L-Angle Plus Adjust
80908	6	138	Stainless steel plate for L-Angle Mini 15 cm and Fit 15 cm
84020	1	137	Stainless steel plate for L-Angle 45 cm, II 45 cm and Adjust 45 cm
85273	0	132-	Stainless steel plate for L-Angle EX 45 cm and Plus 45 cm
73877	5	132-	Stainless steel plate for L-Angle II 60 cm, Adjust 60 cm, EX 60 cm and Plus 60 cm
84287	8	132-	Stainless steel plate for L-Angle II 1 m, Adjust 1 m, EX 1 m and Plus 1 m
93313	2	134-	Stainless steel plate for L-Angle Adjust 1.2 m and Plus 1.2 m
47234	1	134/141	Cutout positioning stick for L-Angle Adjust 45 - 60 cm and Free Angle Neo 30 - 45 cm
47235	8	134/141	Cutout positioning stick for L-Angle Adjust 1 - 1.2 m and Free Angle Neo 60 - 1 m
99203	0	135-	Cutout positioning stick for Mini Free Angle Justy 23 cm, L-Angle II 45 cm - 60 cm and L-Angle Plus
99232	0	132-	Cutout positioning stick for Mini Free Angle, L-Angle II 1 m and EX 1 m
83464	4	132-	Non-slip rubber triangle for Mini Free Angle II, L-Angle II and EX
93311	8	133-	Upper protective cap for L-Angle Plus
93312	5	133-	Lower protective cap for L-Angle Plus

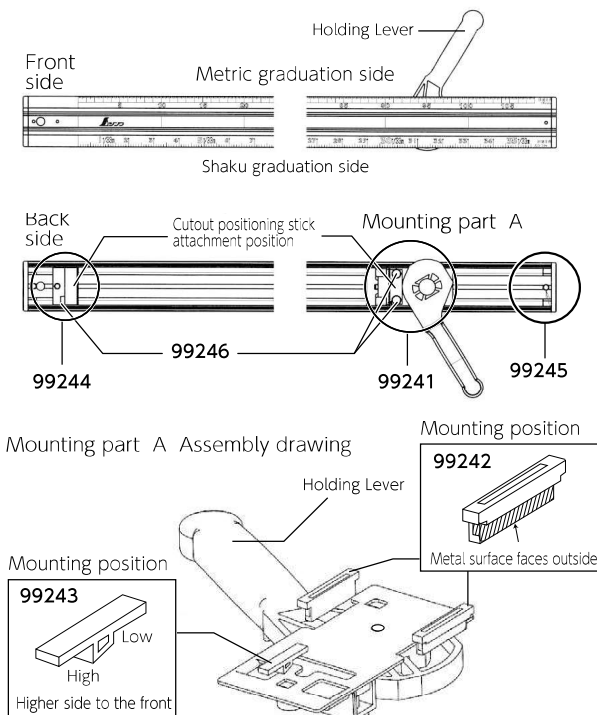
Please be aware that we will no longer provide components for discontinued products once the inventory runs out after discontinuation (however, this is limited to three years after discontinuation)

Circular Saw Guide T-Slide Series



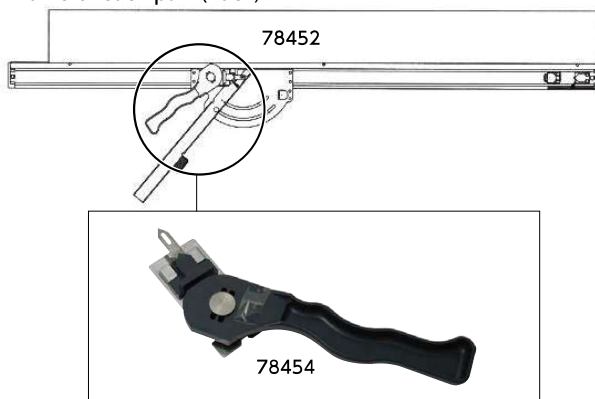
Item Code	C. D.	Catalog Printing Page	Description
47358	4	139/140	Guide stabilization metal fitting for T-Slide II, Double and Slim-shift
47359	1	139/140	Mounting position adjustment screw for T-slide II and Double
47364	5	139	Slider for T-Slide II
47365	2	140	Slider for T-Slide Double
47383	6	139	Slider for T-Slide Slim-shift
47386	7	139	Mounting position adjustment screw for T-Slide Slim-shift

Circular Saw Guide I-Clamp One-touch



Item Code	C. D.	Catalog Printing Page	Description
99246	7	141	Cutout positioning stick fixing screw for I-Clamp One-touch
99241	2	141	Mounting part A for I-Clamp One-touch
99244	3	141	Mounting part B, screw set for I-Clamp One-touch
99243	6	141	Wedge for I-Clamp One-touch
99242	9	141	Spreading plate 2 pc-set for I-Clamp One-touch and Free Angle One-touch
99245	0	141	Edge cap, screw set for I-Clamp One-touch

Circular Saw Guide Free Angle One-touch



Item Code	C. D.	Catalog Printing Page	Description
78452	9	142	Assist plate, screw set for Free Angle One-touch 1 m
78453	6	142	Assist plate, screw set for Free Angle One-touch 1.2 m
78454	3	142	Front side hanging part with spring for Free Angle One-touch

Circular Saw Guide Free Angle Series



85959	Mini Free Angle II
99604	Mini Free Angle Quick Adjust
99602	Free Angle One-touch

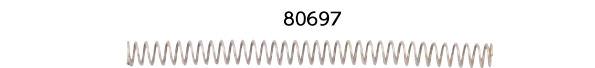


99251	Mini Free Angle Justy
78237	Free Angle Series

*Cutout positioning stick for Mini Free Angle II 23 cm/L-AngleII45 - 60 cm / L-Angle Plus, cutout positioning stick for Mini Free Angle II/L-Angle II 1 m/EX 1 m, and anti-slip rubber triangle for Mini Free AngleII/L-Angle II/EX are listed under the L-Angle Series (P219).

Item Code	C. D.	Catalog Printing Page	Description
85959	3	141	Stopper screw, bolt, metal washer set for Mini Free Angle II, Justy II and Neo
99604	5	143	Stopper screw, bolt, metal washer set for Mini Free Angle Quick Adjust and Justy Quick Adjust
99602	1	142	Stopper screw, bolt, metal washer set for Free Angle One-touch and Multi
99251	1	141	Thin stopper screw, bolt, metal washer set for Mini Free Angle Justy and Free Angle
78237	2	142	Aluminum guide fixing screw for Free Angle Multi
99605	2	143	Cutout positioning stick fixing screw for Mini Free Angle II and Justy II

Stud Finder



Item Code	C. D.	Catalog Printing Page	Description
80620	7	-	Spring for Stud Finder L
80697	9	-	Spring for Stud Finder L with Magnet
80634	4	-	Spring for Stud Finder LL

Please be aware that we will no longer provide components for discontinued products once the inventory runs out after discontinuation (however, this is limited to three years after discontinuation)

JAN code number is "4960910 + item code + C.D."

Parts List
Japan Calibration Service System (JCSS)
Etching
Sheet Heaters
Custom-Made Items
Name Printing
Index Description
Index Description

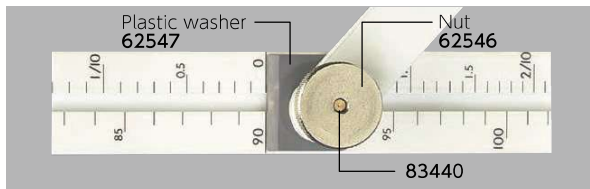
Parts List
Japan Calibration Service System (UCSS)
Etching
Sheet Heaters
Custom-Made Items
Name Printing
Index Item Code
Index Description
Index Item Code
Index Description

Digital Moisture Meter for Wood



Item Code	C. D.	Catalog Printing Page	Description
96061	9	146	Needle pin 2 pc-pack for Digital Moisture Meter for Wood
96063	3	146	Protective cap for Digital Moisture Meter for Wood

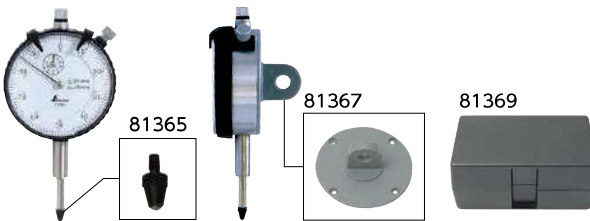
Welding Guide Rule



*The nut and plastic washer can also be used for Aluminum Sliding Bevel as well (P215).

Item Code	C. D.	Catalog Printing Page	Description
83440	8	148	Center screw for Welding Guide Rule
83525	2	148	Magnet for Welding Guide Rule

Dial Gauge



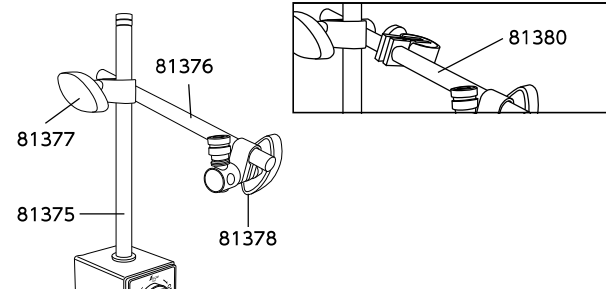
Item Code	C. D.	Catalog Printing Page	Description
81365	6	156	Gauge head for Dial Gauge
81367	0	156	Back cover with lug for Dial Gauge
81369	4	156	Plastic case for Dial Gauge

Dial Indicator



Item Code	C. D.	Catalog Printing Page	Description
81370	0	156	Stem $\phi 6$ for Dial Indicator
81371	7	156	Stem $\phi 8$ for Dial Indicator
81372	4	156	Gauge head spanner for Dial Indicator
81373	1	156	Gauge head for Dial Indicator
81374	8	156	Plastic case for Dial Indicator

Magnetic Stand



Item Code	C. D.	Catalog Printing Page	Description
81375	5	157	Post for Magnetic Stand A and A-2
81376	2	157	Arm for Stand for Magnetic Stand A Standard
81380	9	157	Arm for Magnetic Stand A-2 Fine Adjustment
81377	9	157	Stopper screws complete set with knobs for Magnetic Stand A and A-2
81378	6	157	Gauge installation complete set for Magnetic Stand A and A-2

Large Inspection Mirror



Item Code	C. D.	Catalog Printing Page	Description
84116	1	157	Mirror with frame for Large Inspection Mirror C-1
84117	8	157	Mirror with frame for Large Inspection Mirror C-2

Inspection Mirror



Item Code	C. D.	Catalog Printing Page	Description
84171	0	158	Mirror with frame for Inspection Mirror A-1 and D-1
78946	3	158	Mirror with frame for Inspection Mirror A-2 and D-2
70720	7	158	Mirror with frame for Inspection Mirror A-3 and D-3
84159	8	158	Mirror with frame for Inspection Mirror A-4 and D-4
84160	4	158	Mirror with frame for Magnifying Mirror B-1
84161	1	158	Mirror with frame for Magnifying Mirror B-2
84162	8	158	Mirror with frame for Magnifying Mirror B-3
84163	5	158	Mirror with frame for Magnifying Mirror B-4
80941	3	158	Joint for Inspection Mirror A, D, Magnifying Mirror

Inspection Scope

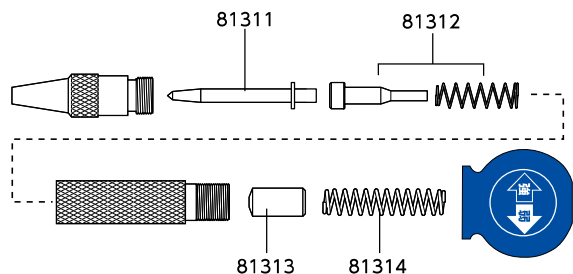


Item Code	C. D.	Catalog Printing Page	Description
74180	5	159	Battery replacement for Inspection Scope*

*Battery change will be handled as a repair.

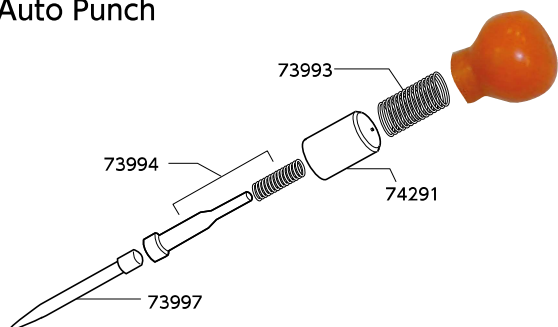
Please be aware that we will no longer provide components for discontinued products once the inventory runs out after discontinuation (however, this is limited to three years after discontinuation)

Auto Punch with Flat Grip to Prevent Rolling



Item Code	C. D.	Catalog Printing Page	Description
81311	3	160	Tip with superhard chip for Auto Punch M with Flat Grip to Prevent Rolling
81312	0	160	Front spring with guide pin for Auto Punch M with Flat Grip to Prevent Rolling
81313	7	160	Hammer pin for Auto Punch M with Flat Grip to Prevent Rolling
81314	4	160	Rear spring for Auto Punch M with Flat Grip to Prevent Rolling
81315	1	160	Tip with superhard chip for Auto Punch L with Flat Grip to Prevent Rolling
81316	8	160	Front spring with guide pin for Auto Punch L with Flat Grip to Prevent Rolling
81317	5	160	Hammer pin for Auto Punch L with Flat Grip to Prevent Rolling
81318	2	160	Rear spring for Auto Punch L with Flat Grip to Prevent Rolling

Auto Punch



Item Code	C. D.	Catalog Printing Page	Description
73997	0	160	Tip with superhard chip for Auto Punch M
73994	9	160	Front spring and guide pin set for Auto Punch M
74291	8	160	Hammer pin for Auto Punch M
73993	2	160	Rear spring for Auto Punch M
73992	5	160	Tip with superhard chip for Auto Punch L
73996	3	160	Front spring and guide pin set for Auto Punch L
85773	5	160	Hammer pin for Auto Punch L
73995	6	160	Rear spring for Auto Punch L

Suction Lifter



Item Code	C. D.	Catalog Printing Page	Description
81623	7	161	Stopper for Suction Lifter Double A and Single B

Digital Thermometer



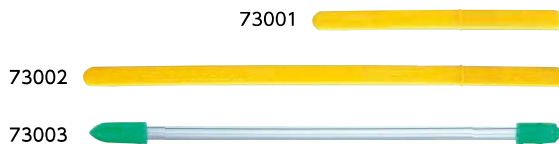
Item Code	C. D.	Catalog Printing Page	Description
73047	2	172/173	Sensor probe for Digital Thermometer G and Wireless Thermometer A

Psychrometer



Item Code	C. D.	Catalog Printing Page	Description
46845	0	176	Water tank for Psychrometer E-2

Stick Thermometer



Item Code	C. D.	Catalog Printing Page	Description
73001	4	179	Case for Stick Thermometer 15 cm
73002	1	179	Case for Stick Thermometer 30 cm
73003	8	179	Clear Case for Stick Thermometer H-3 30 cm

Magnifying Glass



Item Code	C. D.	Catalog Printing Page	Description
76507	8	190	Light bulb for Magnifier with Light for Reading E and F

Drawing Divider



Item Code	C. D.	Catalog Printing Page	Description
74458	5	198	Replacement lead for Drawing Divider

Hand Magnet



Item Code	C. D.	Catalog Printing Page	Description
84297	7	204	Handle and screws set for Hand Magnet B-2

Parts List
Japan Calibration Service System (JCSS)
Etching
Sheet Heaters
Custom-Made Items
Name Printing
Index
Item Code
Description
Index
Item Code
Description

Please be aware that we will no longer provide components for discontinued products once the inventory runs out after discontinuation (however, this is limited to three years after discontinuation)