

CNC-3315-MSL – 2MP MOTORIZED STARLIGHT IP Dome Camera



2 Mega

STARLIGHT

H.265+

IP66

50m IR

MOTORIZED

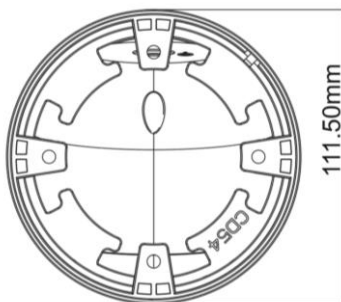
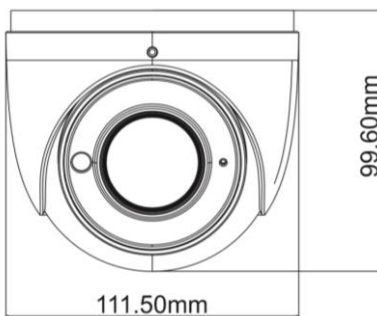
POE

ONVIF

Features

- 2 Megapixel 1920x1080 @25fps
- **H.265+** Compression
- **ONVIF** Compatible
- **2.8-12mm Motorized** Auto-Focus Lens
- **STARLIGHT** 0.003LUX w/o LED
- 3D-DNR, DWDR, HLC, BLC, Defog, ROI, Dual Stream
- Day&Night by Filter Change
- 2nos LED Array, 0 Lux up to 50m
- Network 10/100 Base-T
- Aluminum Casing with Epoxy
- POE / 12VC Dual Power

SPECIFICATION



Model	CNC-3315-MSL
Image Sensor	1/2.7" progressive scan CMOS Sensor
Resolution	1920x1080 @25fps (PAL)
Shuttle	1/25s ~ 1/100,000s
Lens	2.8-12mm Motorized Zoom/Focus Auto-Iris
LEDs	2nos 850nm IR LED Array
Day & Night	Filter Change or TDN (True Day & Night)
Min. Illumination	0 Lux up to 50m
Network	10/100-BaseT, RJ45
Bit Rate	256Kbps ~ 5Mbps
Compression	2-Stream : H.265+ / H.264+ / MJPEG
W. Environment	-30° ~+60°C, <90° Humidity (Non-Condensing)
Power	POE IEEE 802.3af/12VDC, < 6W
Dimension	112mm (Φ) x 100mm (H), 1.1kg

* Specification maybe changed without prior notice