



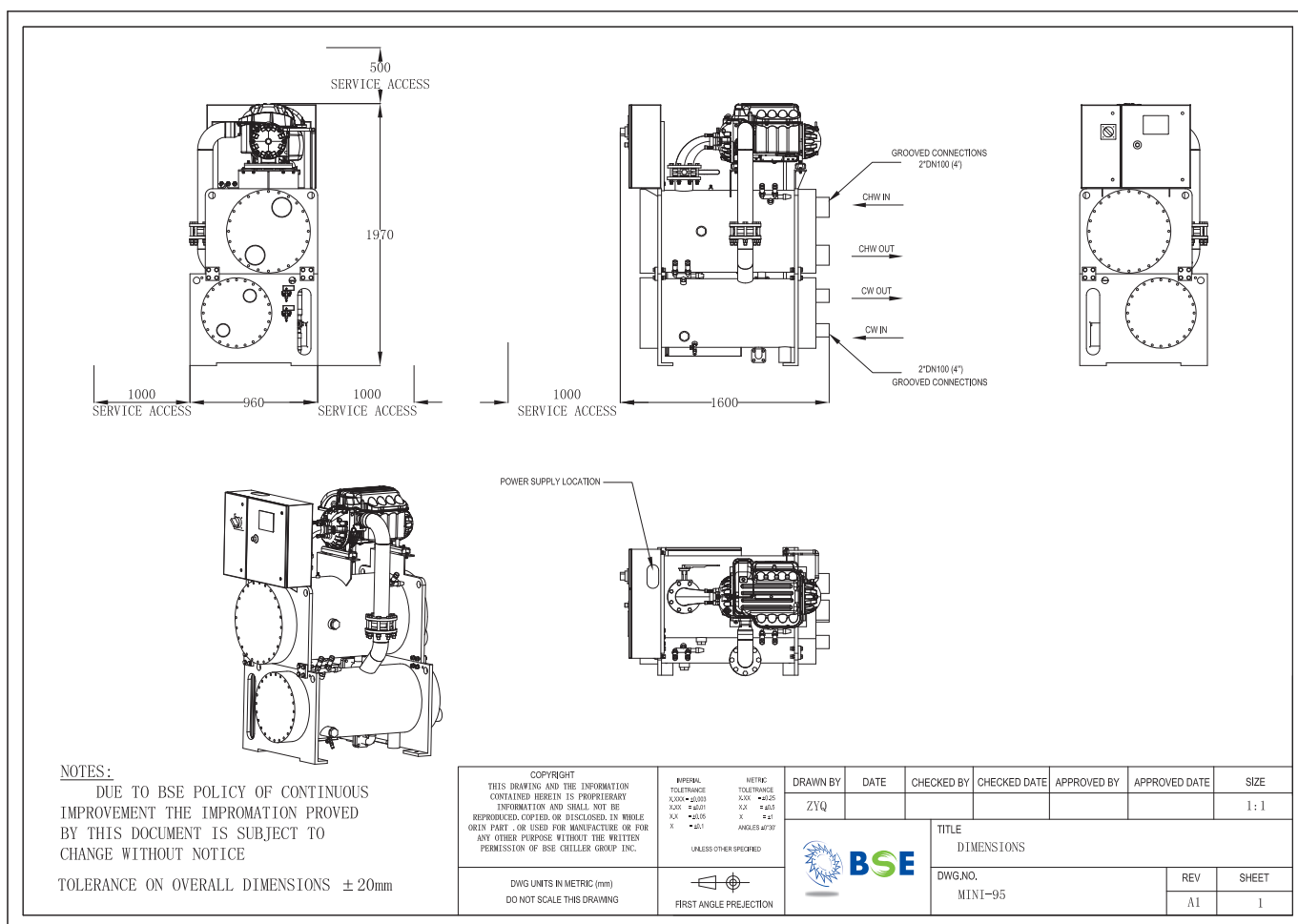
# BSE CHILLER GROUP

## WE MAKE OIL FREE CHILLER



### MINI-QUESTCHILLER™

- Model: **BSMW0334ZMB1**
- Design: **Modular**
- Characteristics: **Compact & Flexible**
- Intelligent Control: **OPFlex™**
- Application: **Single-machine Parallel**
- Patent Design: **One master can control 5 slaves**



### BSE (Suzhou) Air Conditioning Co., Ltd.

Add: No.158 Jinshajiang road,Suzhou New District  
 Tel: +86-512-66890626  
 Fax: +86-512-66890526  
 Email: sales@bse.com.cn

### BSE Asia Pacific Regional Office

Add: Unit R, 15th Floor, Wah Lik Industrial Centre, 459-469 Castle Peak Road, Tsuen Wan, New Territories, Hong Kong  
 Tel: 00852-35231760  
 Fax: 00852-35231761  
 Email: adam.lee@bse.com.cn



Twitter



Facebook



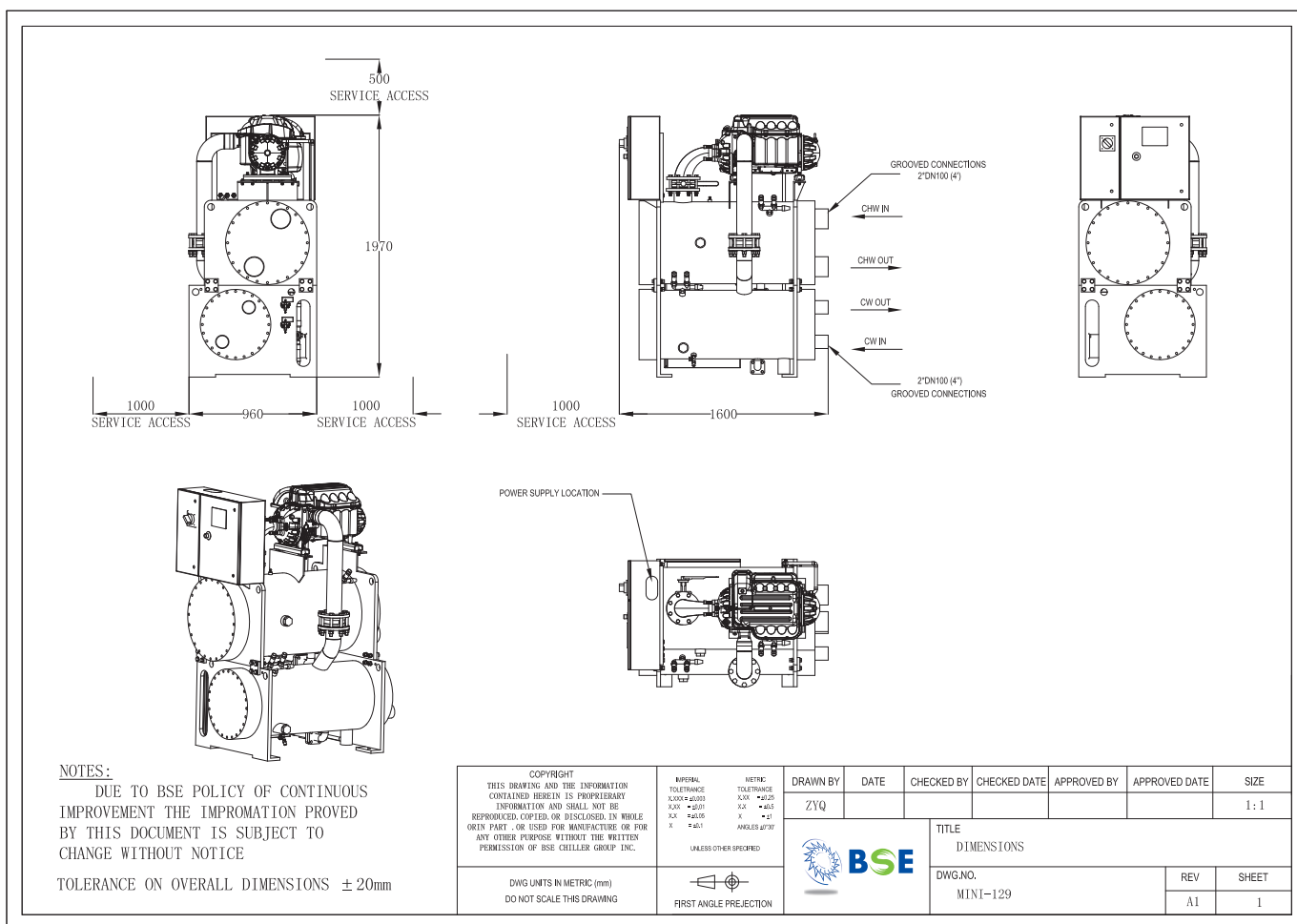
# BSE CHILLER GROUP

## WE MAKE OIL FREE CHILLER



### MINI-QUESTCHILLER™

- Model: **BSMW0464ZMC1**
- Design: **Modular**
- Characteristics: **Compact & Flexible**
- Intelligent Control: **OPFlex™**
- Application: **Single-machine Parallel**
- Patent Design: **One master can control 5 slaves**



### BSE (Suzhou) Air Conditioning Co., Ltd.

Add: No.158 Jinshajiang road,Suzhou New District

Tel: +86-512-66890626

Fax: +86-512-66890526

Email: sales@bse.com.cn

### BSE Asia Pacific Regional Office

Add: Unit R, 15th Floor, Wah Lik Industrial Centre, 459-469 Castle Peak Road, Tsuen Wan, New Territories, Hong Kong

Tel: 00852-35231760

Fax: 00852-35231761

Email: adam.lee@bse.com.cn

BSE Suzhou Air Conditioning Co., Ltd.  
www.bse.com.cn Hotline: 400 850 6998



Twitter



Facebook

**BSE**  
Believe-in Saving Energy  
BSE19TL01(01)01-MINI2



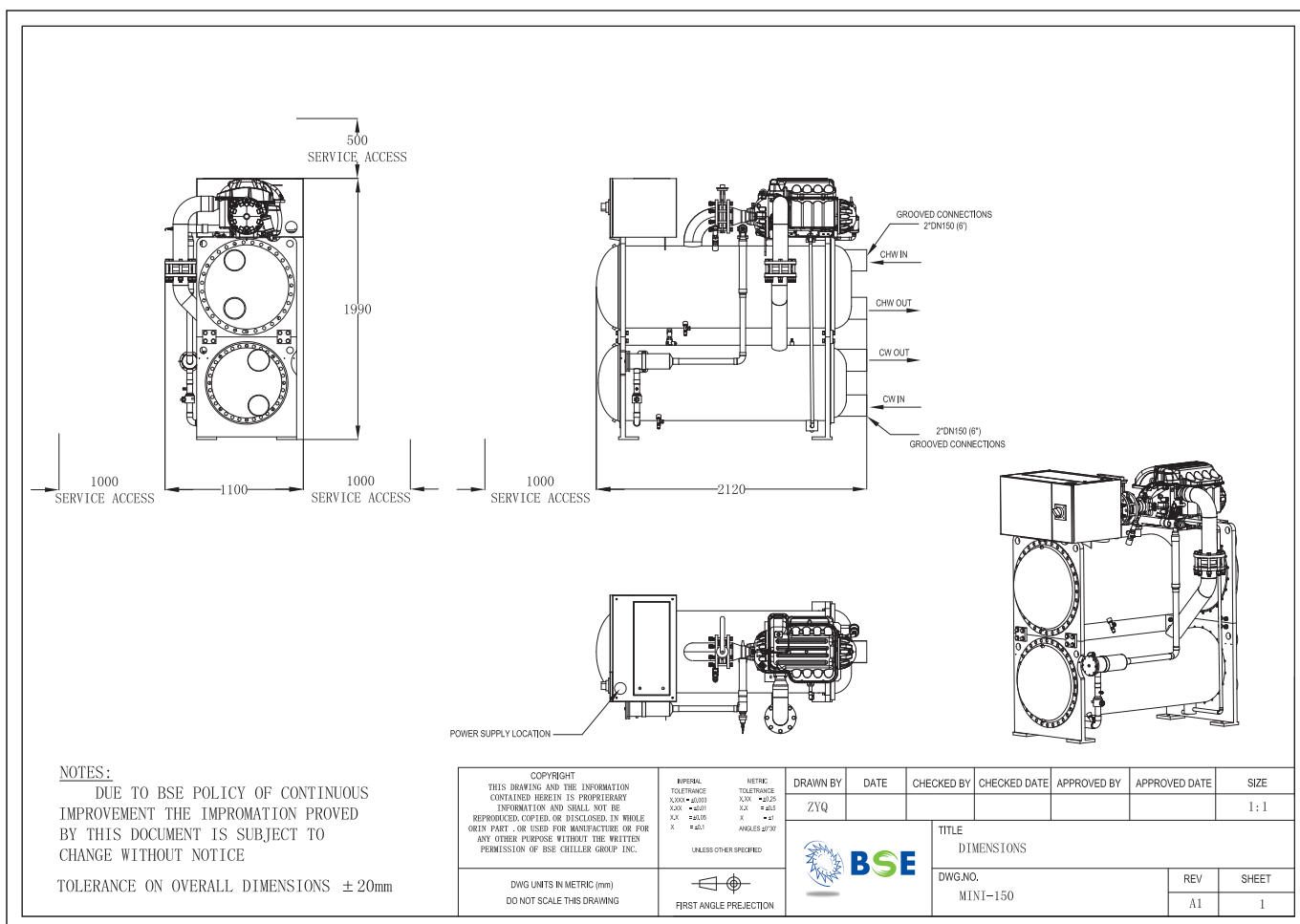
# BSE CHILLER GROUP

## WE MAKE OIL FREE CHILLER



### MINI-QUESTCHILLER™

- Model: **BSMW0528ZMD1**
- Design: **Modular**
- Characteristics: **Compact & Flexible**
- Intelligent Control: **OPFlex™**
- Application: **Single-machine Parallel**
- Patent Design: **One master can control 5 slaves**



### BSE (Suzhou) Air Conditioning Co., Ltd.

Add: No.158 Jinshajiang road,Suzhou New District  
 Tel: +86-512-66890626  
 Fax: +86-512-66890526  
 Email: sales@bse.com.cn

### BSE Asia Pacific Regional Office

Add: Unit R, 15th Floor, Wah Lik Industrial Centre, 459-469 Castle Peak Road, Tsuen Wan, New Territories, Hong Kong  
 Tel: 00852-35231760  
 Fax: 00852-35231761  
 Email: adam.lee@bse.com.cn



Twitter



Facebook