



BSE CHILLER GROUP

WE MAKE OIL FREE CHILLER



QUESTCHILLER™

- Model: **BSMW0528ZVD1**
- Characteristics: **Compact & High Efficiency**
- Application: **Single-machine Parallel**
- Technology: **Flash Tank**
- Intelligent Control: **OPFlex™**
- Patent Design: **No pipe on the back**

500 SERVICE ACCESS

1990

1000 SERVICE ACCESS 1260 1000 SERVICE ACCESS

2420

GROOVED CONNECTIONS 2"DN150 (R)

CHW IN

CHW OUT

CW OUT

CW IN

2"DN150 (R) GROOVED CONNECTIONS

POWER SUPPLY LOCATION

NOTES:
 DUE TO BSE POLICY OF CONTINUOUS IMPROVEMENT THE IMPROMATION PROVED BY THIS DOCUMENT IS SUBJECT TO CHANGE WITHOUT NOTICE
 TOLERANCE ON OVERALL DIMENSIONS ± 20mm

COPYRIGHT THIS DRAWING AND THE INFORMATION CONTAINED HEREIN IS PROPRIETARY INFORMATION AND SHALL NOT BE REPRODUCED, COPIED, OR DISCLOSED, IN WHOLE OR IN PART - OR USED FOR MANUFACTURE OR FOR ANY OTHER PURPOSE WITHOUT THE WRITTEN PERMISSION OF BSE CHILLER GROUP INC.		METRIC TOLERANCE XXXX ± 0.03 XXX ± 0.01 XX ± 0.05 X ± 0.1 ANGLES 47°30'	DRAWN BY ZYQ	DATE	CHECKED BY	CHECKED DATE	APPROVED BY	APPROVED DATE	SIZE 1:1
DWG UNITS IN METRIC (mm) DO NOT SCALE THIS DRAWING		UNLESS OTHER SPECIFIED FIRST ANGLE PROJECTION			TITLE DIMENSIONS		DWG.NO. 150	REV A1	SHEET 1

BSE (Suzhou) Air Conditioning Co., Ltd.

Add: No.158 Jinshajiang road,Suzhou New District

Tel: +86-512-66890626

Fax: +86-512-66890526

Email: sales@bse.com.cn

BSE Asia Pacific Regional Office

Add: Unit R, 15th Floor, Wah Lik Industrial Centre, 459-469 Castle Peak Road, Tsuen Wan, New Territories, Hong Kong

Tel: 00852-35231760

Fax: 00852-35231761

Email: adam.lee@bse.com.cn

BSE Suzhou Air Conditioning Co., Ltd.
 www.bse.com.cn Hotline: 400 850 6998



Twitter



Facebook

BSE
 Believe-in Saving Energy
 BSE19TL01(01)01-1



BSE CHILLER GROUP

WE MAKE OIL FREE CHILLER



QUESTCHILLER™

- Model: **BSMW0528FVD1**
- Characteristics: **Compact & High Efficiency**
- Application: **Single-machine Parallel**
- Technology: **Flash Tank**
- Intelligent Control: **OPFlex™**
- Patent Design: **No pipe on the back**

500 SERVICE ACCESS

1990

1000 SERVICE ACCESS 1170 1000 SERVICE ACCESS

2450

GROOVED CONNECTIONS 2"DN150 (8")

CHW IN

CHW OUT

CW OUT

CW IN

2"DN150 (8") GROOVED CONNECTIONS

POWER SUPPLY LOCATION

NOTES:
DUE TO BSE POLICY OF CONTINUOUS IMPROVEMENT THE IMPROMATION PROVED BY THIS DOCUMENT IS SUBJECT TO CHANGE WITHOUT NOTICE
TOLERANCE ON OVERALL DIMENSIONS ± 20mm

COPYRIGHT THIS DRAWING AND THE INFORMATION CONTAINED HEREIN IS PROPRIETARY INFORMATION AND SHALL NOT BE REPRODUCED, COPIED, OR DISCLOSED, IN WHOLE OR IN PART, OR USED FOR MANUFACTURE OR FOR ANY OTHER PURPOSE WITHOUT THE WRITTEN PERMISSION OF BSE CHILLER GROUP INC.		#P/PRN: TOLERANCE: XXXX ± 0.05 XX ± 0.1 X ± 0.15 X ± 0.1	METRIC TOLERANCE: XXX ± 0.25 XX ± 0.15 X ± 0.1 ANGLES 2/3°	DRAWN BY ZYQ	DATE	CHECKED BY	CHECKED DATE	APPROVED BY	APPROVED DATE	SIZE 1:1	
DWG UNITS IN METRIC (mm) DO NOT SCALE THIS DRAWING		UNLESS OTHER SPECIFIED FIRST ANGLE PROJECTION				TITLE DIMENSIONS		DWG. NO. 150F		REV A1	SHEET 1

BSE (Suzhou) Air Conditioning Co., Ltd.

Add: No.158 Jinshajiang road, Suzhou New District

Tel: +86-512-66890626

Fax: +86-512-66890526

Email: sales@bse.com.cn

BSE Asia Pacific Regional Office

Add: Unit R, 15th Floor, Wah Lik Industrial Centre, 459-469 Castle Peak Road, Tsuen Wan, New Territories, Hong Kong

Tel: 00852-35231760

Fax: 00852-35231761

Email: adam.lee@bse.com.cn

BSE Suzhou Air Conditioning Co., Ltd.
 www.bse.com.cn Hotline: 400 850 6998



Twitter



Facebook

BSE
 Believe-in Saving Energy
 BSE19TL01(01)01-2



BSE CHILLER GROUP

WE MAKE OIL FREE CHILLER



QUESTCHILLER™

- Model: **BSMW055FVD1**
- Characteristics: **Compact & High Efficiency**
- Application: **Single-machine Parallel**
- Technology: **Flash Tank**
- Intelligent Control: **OPFlex™**
- Patent Design: **No pipe on the back**

500 SERVICE ACCESS

1990

1000 SERVICE ACCESS 1170 1000 SERVICE ACCESS

2450

GROOVED CONNECTIONS 2"DN150 (Ø7)

CHW IN

CHW OUT

CW OUT

CW IN

2"DN150 (Ø7) GROOVED CONNECTIONS

POWER SUPPLY LOCATION

NOTES:
 DUE TO BSE POLICY OF CONTINUOUS IMPROVEMENT THE IMPROMATION PROVED BY THIS DOCUMENT IS SUBJECT TO CHANGE WITHOUT NOTICE
 TOLERANCE ON OVERALL DIMENSIONS ± 20mm

COPYRIGHT THIS DRAWING AND THE INFORMATION CONTAINED HEREIN IS PROPRIETARY INFORMATION AND SHALL NOT BE REPRODUCED, COPIED, OR DISCLOSED, IN WHOLE OR IN PART - OR USED FOR MANUFACTURE OR FOR ANY OTHER PURPOSE WITHOUT THE WRITTEN PERMISSION OF BSE CHILLER GROUP INC.		METRIC TOLERANCE XXXX ± 0.05 XX ± 0.01 X ± 0.05 X ± 0.1 ANGLES 20'30"	METRIC TOLERANCE XXX ± 0.25 XX ± 0.15 X ± 0.1 ANGLES 20'30"	DRAWN BY ZYQ	DATE	CHECKED BY	CHECKED DATE	APPROVED BY	APPROVED DATE	SIZE 1:1	
DWG UNITS IN METRIC (mm) DO NOT SCALE THIS DRAWING		UNLESS OTHER SPECIFIED FIRST ANGLE PROJECTION			TITLE DIMENSIONS			DWG.NO. 158FMAX		REV A1	SHEET 1

BSE (Suzhou) Air Conditioning Co., Ltd.

Add: No.158 Jinshajiang road,Suzhou New District
 Tel: +86-512-66890626
 Fax: +86-512-66890526
 Email: sales@bse.com.cn

BSE Asia Pacific Regional Office

Add: Unit R, 15th Floor, Wah Lik Industrial Centre, 459-469 Castle Peak Road, Tsuen Wan, New Territories, Hong Kong
 Tel: 00852-35231760
 Fax: 00852-35231761
 Email: adam.lee@bse.com.cn



Twitter



Facebook



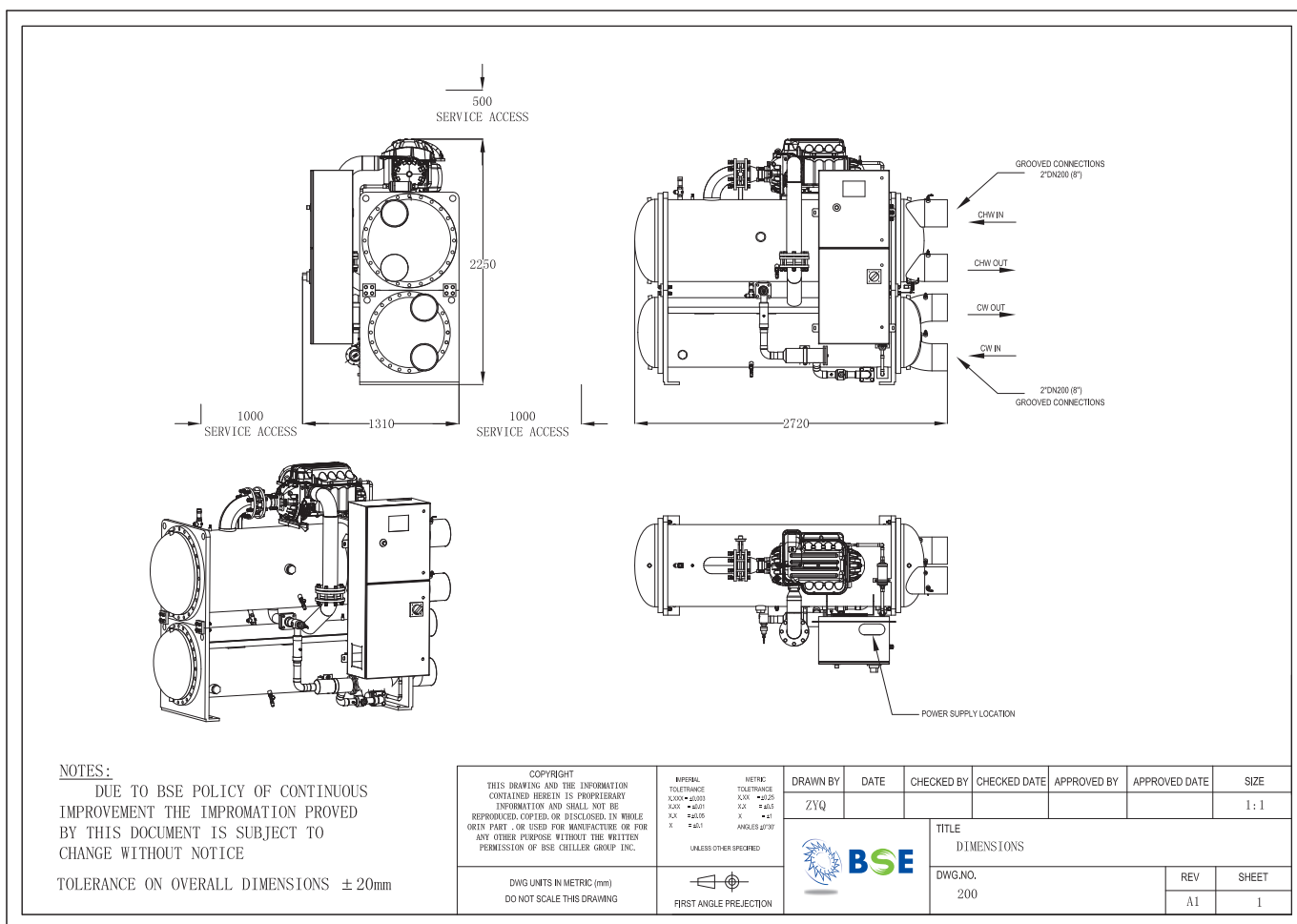
BSE CHILLER GROUP

WE MAKE OIL FREE CHILLER



QUESTCHILLER™

- Model: **BSMW0703ZVF1**
- Characteristics: **Compact & High Efficiency**
- Application: **Single-machine Parallel**
- Technology: **Flash Tank**
- Intelligent Control: **OPFlex™**
- Patent Design: **No pipe on the back**



BSE (Suzhou) Air Conditioning Co., Ltd.

Add: No.158 Jinshajiang road,Suzhou New District

Tel: +86-512-66890626

Fax: +86-512-66890526

Email: sales@bse.com.cn

BSE Asia Pacific Regional Office

Add: Unit R, 15th Floor, Wah Lik Industrial Centre, 459-469 Castle Peak Road, Tsuen Wan, New Territories, Hong Kong

Tel: 00852-35231760

Fax: 00852-35231761

Email: adam.lee@bse.com.cn

BSE Suzhou Air Conditioning Co., Ltd.
 www.bse.com.cn Hotline: 400 850 6998



Twitter



Facebook

BSE
 Believe-in Saving Energy
 BSE19TL01(01)01-4



BSE CHILLER GROUP

WE MAKE OIL FREE CHILLER



QUESTCHILLER™

- Model: **BSMW0703FVF1**
- Characteristics: **Compact & High Efficiency**
- Application: **Single-machine Parallel**
- Technology: **Flash Tank**
- Intelligent Control: **OPFlex™**
- Patent Design: **No pipe on the back**

500 SERVICE ACCESS

2190

1000 SERVICE ACCESS 1270 1000 SERVICE ACCESS

2720

GROOVED CONNECTIONS 2"DN200 (51')

CHW IN

CHW OUT

CW OUT

CW IN

2"DN200 (51') GROOVED CONNECTIONS

POWER SUPPLY LOCATION

NOTES:
 DUE TO BSE POLICY OF CONTINUOUS IMPROVEMENT THE IMPROMATION PROVED BY THIS DOCUMENT IS SUBJECT TO CHANGE WITHOUT NOTICE
 TOLERANCE ON OVERALL DIMENSIONS ±20mm

COPYRIGHT THIS DRAWING AND THE INFORMATION CONTAINED HEREIN IS PROPRIETARY INFORMATION AND SHALL NOT BE REPRODUCED, COPIED, OR DISCLOSED, IN WHOLE OR IN PART, OR USED FOR MANUFACTURE OR FOR ANY OTHER PURPOSE WITHOUT THE WRITTEN PERMISSION OF BSE CHILLER GROUP INC.		#P/01A TOLERANCE XXXX ±0.03 XX ±0.01 X ±0.05 X ±0.1	METRIC TOLERANCE XXX ±0.25 XX ±0.1 X ±0.1 ANGLES 20'30"	DRAWN BY ZYQ	DATE	CHECKED BY	CHECKED DATE	APPROVED BY	APPROVED DATE	SIZE 1:1	
DWG UNITS IN METRIC (mm) DO NOT SCALE THIS DRAWING		UNLESS OTHER SPECIFIED FIRST ANGLE PROJECTION						TITLE DIMENSIONS		REV A1	SHEET 1
DWG.NO. 200F											

BSE (Suzhou) Air Conditioning Co., Ltd.

Add: No.158 Jinshajiang road,Suzhou New District

Tel: +86-512-66890626

Fax: +86-512-66890526

Email: sales@bse.com.cn

BSE Asia Pacific Regional Office

Add: Unit R, 15th Floor, Wah Lik Industrial Centre, 459-469 Castle Peak Road, Tsuen Wan, New Territories, Hong Kong

Tel: 00852-35231760

Fax: 00852-35231761

Email: adam.lee@bse.com.cn

BSE Suzhou Air Conditioning Co., Ltd.
 www.bse.com.cn Hotline: 400 850 6998



Twitter



Facebook

BSE
 Believe-in Saving Energy
 BSE19TL01(01)01-5



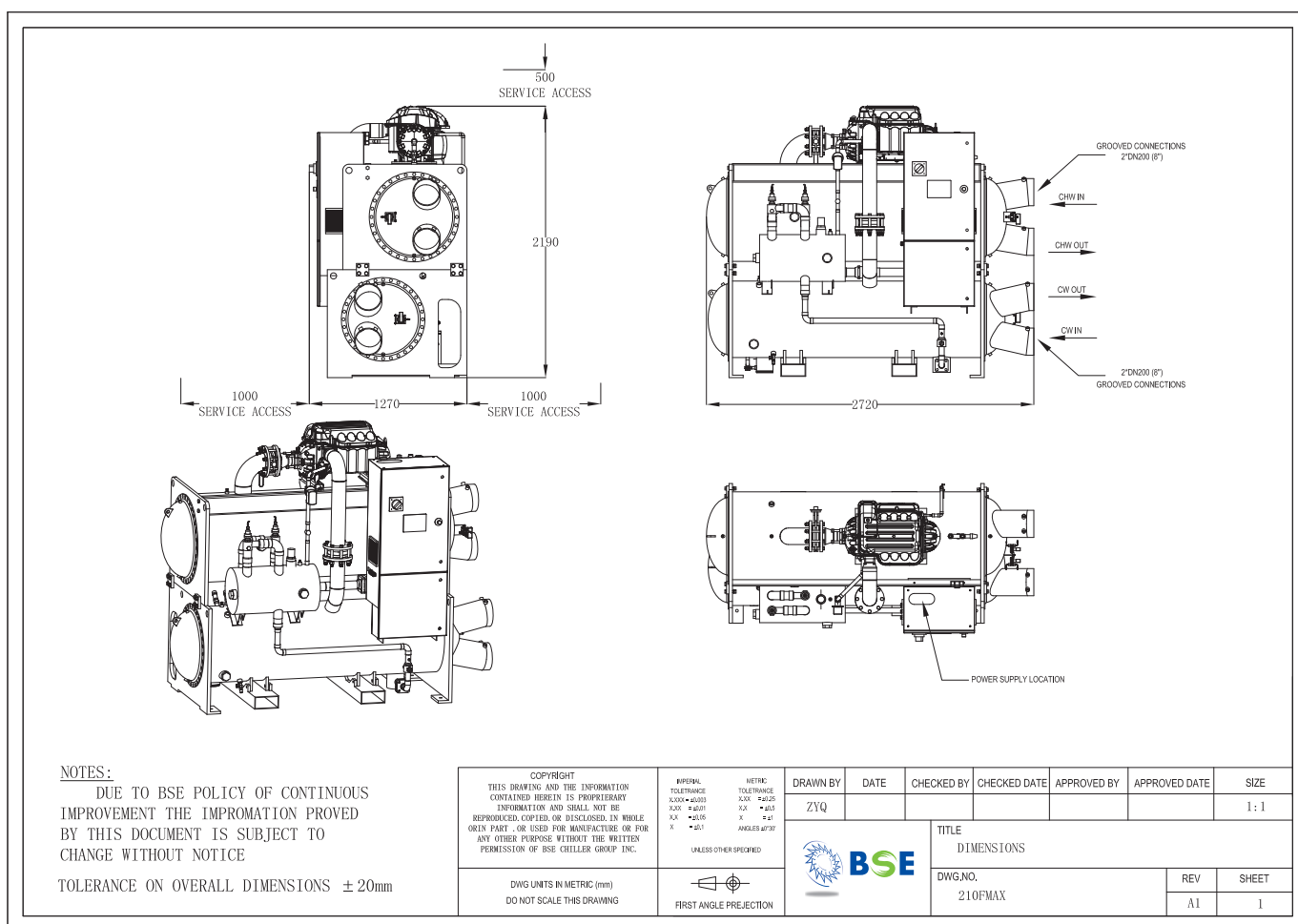
BSE CHILLER GROUP

WE MAKE OIL FREE CHILLER



QUESTCHILLER™

- Model: **BSMW0740FVF1**
- Characteristics: **Compact & High Efficiency**
- Application: **Single-machine Parallel**
- Technology: **Flash Tank**
- Intelligent Control: **OPFlex™**
- Patent Design: **No pipe on the back**



BSE (Suzhou) Air Conditioning Co., Ltd.

Add: No.158 Jinshajiang road,Suzhou New District

Tel: +86-512-66890626

Fax: +86-512-66890526

Email: sales@bse.com.cn

BSE Asia Pacific Regional Office

Add: Unit R, 15th Floor, Wah Lik Industrial Centre, 459-469 Castle Peak Road, Tsuen Wan, New Territories, Hong Kong

Tel: 00852-35231760

Fax: 00852-35231761

Email: adam.lee@bse.com.cn

BSE Suzhou Air Conditioning Co., Ltd.
 www.bse.com.cn Hotline: 400 850 6998



Twitter



Facebook

BSE
 Believe-in Saving Energy
 BSE19TL01(01)01-6