

#### HEADQUARTERS

FAAC SpA  
Via Calari, 10 – 40069 Zola Predosa (BO) – Italy  
Tel. +39 05161724  
Fax +39 051 758518  
www.faacgroup.com – info@faac.it

#### FAAC SUBSIDIARIES

FAAC AG  
Tel. +41 52 3461721  
Fax +41 52 3461723  
Illnau, Switzerland  
www.faac.ch

FAAC FRANCE  
Tel. +33 472218700  
Fax +33 472218701  
Corbas, France  
www.faac.fr

FAAC GMBH  
Tel. +49 8654 49810  
Fax +49 8654 498125  
Freilassing, Germany  
www.faac.de

FAAC MIDDLE EAST  
Dubai, Emirati Arabi  
www.faac.ae  
info@faac.ae

F.A.A.C. SA  
Tel +34 91 6613112  
Fax +34 91 6610050  
Madrid, España  
www.faac.es

FAAC UK LTD.  
Tel +44 1256 318100  
Fax +44 1256 318101  
Basingstoke, Hampshire UK  
www.faac.co.uk

FAAC AUSTRALIA PTY LTD  
Tel. +61 2 7565644  
Fax +61 2 87565677  
Homebush – Sydney, Australia  
www.faac.com.au

FAAC NORD  
Tel. +33 1 69191620  
Fax +33 1 69536069  
Massy, France  
www.faac.fr

FAAC INDIA PVT. LTD  
Tel. +91 120 3934100/4199  
Fax +91 120 4212132  
Noida – Delhi, India  
www.faacindia.com

FAAC POLSKA SP.ZO.O.  
Tel. +48 22 8141125  
Fax +48 22 8142024  
Warszawa, Polska  
www.faac.pl

F.A.A.C. SA Delegación Cataluña  
Tel. +34 93 4362000  
Fax +34 93 5727994/4368225  
Barcelona, España  
www.faac.es

FAAC BENELUX  
Tel. +32 50 320202  
Fax +32 50 32024215  
Brugge, Belgium  
www.faac.be

FAAC G.E.S. M.B.H.  
Tel. +43 662 8533950  
Fax +43 662 85339520  
Wals-Siezenheim, Austria  
www.faac.at

FAAC INTERNATIONAL INC.  
Tel. +1 307 6351991  
Fax +1 307 6328148  
Cheyenne, USA  
www.faacusa.com

FAAC SCANDINAVIA AB  
Tel. +46 36 3768660  
Fax +46 36 370780  
Bankeryd, Sweden  
www.faac.se

FAAC SHANGHAI  
Tel. +86 21 68182970  
Fax +86 21 68182968  
Shanghai, China  
www.faac.com.cn



## 746

### Gearmotor for sliding gates

# FAAC

## FOR SLIDING GATES UP TO 600KG

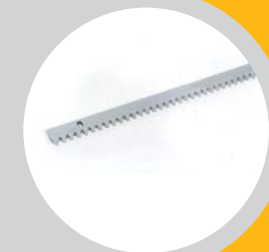
- Maximum anti-crushing safety by coupling the twin disk oil-bath clutch with the electronic device and encoder
- Non reversing garmotor means no electric locks need be installed
- Magnetic limit switch device
- Designed for height and side adjustable fastening



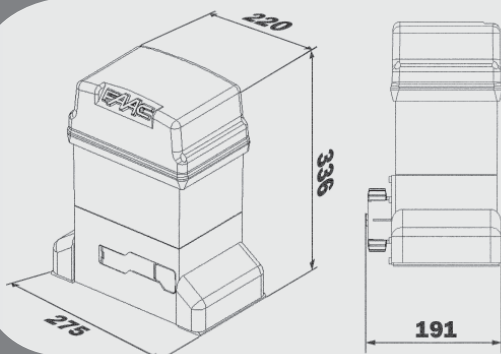
780D control board



galvanised racking



Dimensions of unit



## TECHNICAL SPECIFICATIONS 746

|                                     | Z16           | CAT                          | RF          | Z20     |
|-------------------------------------|---------------|------------------------------|-------------|---------|
| Power supply                        |               | 230 V (+6%-10%) 50 (60) Hz   |             |         |
| Electric motor                      |               | single-phase, bi-directional |             |         |
| Absorbed power                      |               | 300W                         |             |         |
| Absorbed current                    |               | 1.5A                         |             |         |
| Traction and thrust force           | 0 to 62.5 daN |                              | 0 to 50 daN |         |
| Motor rotation speed                |               | 1400 rpm                     |             |         |
| Thermal protection on motor winding |               | 120°C                        |             |         |
| Clutch                              |               | twin-disk in oil-bath        |             |         |
| Reduction ratio                     |               | 1:30                         |             |         |
| Operating ambient temperature       |               | -20°C to +55°C               |             |         |
| Weight with oil                     |               | 14kg                         |             |         |
| Type of oil                         |               | FAAC HP Oil                  |             |         |
| Gate speed                          | 9.6m/min      |                              |             | 12m/min |
| Protection class                    |               | IP44                         |             |         |
| Dimensions (LxDxH) in mm            |               | 275 x 191 x 336              |             |         |
| Limit switch                        |               | magnetic                     |             |         |