

HEADQUARTERS

FAAC spa
Via Calari 10 - 40069 Zola Predosa (BO)
Tel. +39 051 6172411- Fax +39 051 758518
info@faac.it - www.faacgroup.com

FAAC SUBSIDIARIES

FAAC AG
Tel. +41 52 3461721
Fax +41 52 3461723
Illnau, Switzerland
www.faac.ch

FAAC FRANCE
Tel. +33 472218700
Fax +33 472218701
Corbas, France
www.faac.fr

FAAC GMBH
Tel. +49 8654 49810
Fax +49 8654 498125
Freilassing, Germany
www.faac.de

FAAC MIDDLE EAST
Dubai, Emirati Arabi
www.faac.ae
info@faac.ae

F.A.A.C. SA
Tel +34 91 6613112
Fax +34 91 6610050
Madrid, España
www.faac.es

FAAC UK LTD.
Tel. +44 1256 318100
Fax +44 1256 318101
Basingstoke Hampshire, UK
www.faac.co.uk

FAAC AUSTRALIA PTY LTD
Tel. +61 2 7565644
Fax +61 2 87565677
Homebush - Sydney, Australia
www.faac.com.au

FAAC NORD
Tel. +33 1 69191620
Fax +33 1 69536069
Massy, France
www.faac.fr

FAAC INDIA PVT. LTD
Tel. +91 120 3934100/4199
Fax +91 120 4212132
Noida - Delhi, India
www.faacindia.com

FAAC POLSKA SP.ZO.O.
Tel. +48 22 8141125
Fax +48 22 8142024
Warszawa, Polska
www.faac.pl

F.A.A.C. SA Delegación Cataluña
Tel. +34 93 4362000
Fax +34 93 5727994/4368225
Barcelona, España
www.faac.es

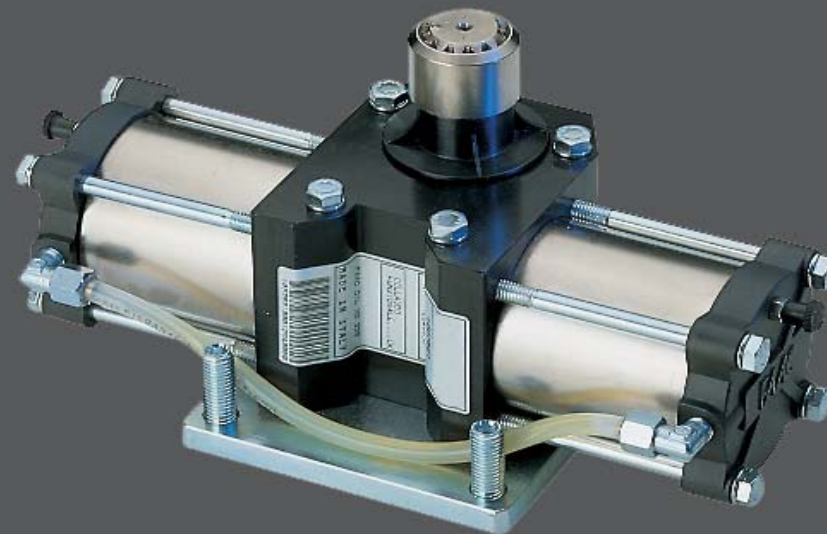
FAAC BENELUX
Tel. +32 50 320202
Fax +32 50 32024215
Brugge, Belgium
www.faac.be

FAAC G.E.S. M.B.H.
Tel. +43 662 8533950
Fax +43 662 85339520
Wals - Siezenheim, Austria
www.faac.at

FAAC INTERNATIONAL INC.
Tel. +1 307 6351991
Fax +1 307 6328148
Cheyenne, USA
www.faacusa.com

FAAC SCANDINAVIA AB
Tel. +46 36 376860
Fax +46 36 370780
Bankeryd, Sweden
www.faac.se

FAAC SHANGHAI
Tel. +86 21 68182970
Fax +86 21 68182968
Shanghai, China
www.faac.com.cn



750

HYDRAULIC UNDERGROUND SWING GATE AUTOMATION

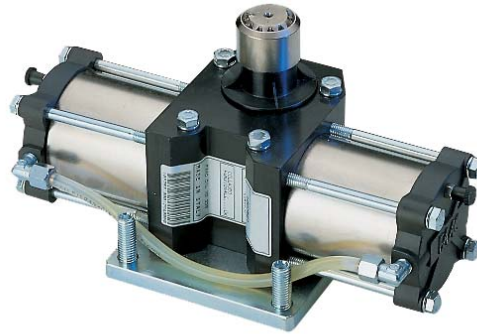
FAAC
Simply automatic.

Rev. 1 - Zucchini - 08/2011 The descriptions and illustrations contained in the present brochure are not binding. FAAC reserve the right to undertake product technical modifications without prior notice.



THE 750 230V underground hydraulic automation system with separate pump and drive unit.

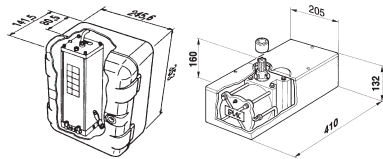
- Suitable for gates up to 800KG.
- Designed for gate leaves up to 2.5m
- Protection class IP55
- The hydraulic pump is available with or without hydraulic locking in the open and closed position.
- The standard version has the gate sitting on the drive unit which can act as the bottom hinge for the gate.
- The CP version has a load bearing foundation box that supports the gate and the drive unit is simply fitted into the box.
- Hydraulic jacks available in 100° and 180° opening versions



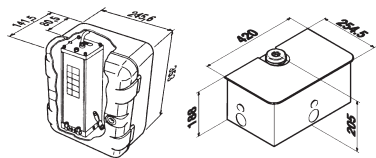
452 MPS control board



455D control board



750 standard



750 CP system

TECHNICAL SPECIFICATIONS 750

	CBAC	SB
Power supply voltage	230Vac (+6% -10%) 50 (60) Hz	
Absorbed power	220W	
Absorbed current	1A	
Motor rotation speed	1400 r.p.m.	
Pump flow rate	0.75l/min	
Operating ambient temp	-20°C to +55°C	
Protection class	IP55	
Thermal protection on motor winding	120°C	
Weight	7.5kg	
Type of oil	FAAC HP Oil	
Dimensions (LxDxH)	jack 410 x 160 x 205mm - control unit 245.6 x 353 x 141.5mm	